

74HC/HCT365
MSI

HEX BUFFER/LINE DRIVER; 3-STATE

FEATURES

- Non-inverting outputs
- Output capability: bus driver
- I_{CC} category: MSI

GENERAL DESCRIPTION

The 74HC/HCT365 are high-speed Si-gate CMOS devices and are pin compatible with low power Schottky TTL (LSSTTL). They are specified in compliance with JEDEC standard no. 7A. The 74HC/HCT365 are hex non-inverting buffer/line drivers with 3-state outputs. The 3-state outputs (nY) are controlled by the output enable inputs ($\overline{OE}_1, \overline{OE}_2$). A HIGH on \overline{OE}_n causes the outputs to assume a high impedance OFF-state. The "365" is identical to the "366" but has non-inverting outputs.

SYMBOL	PARAMETER	CONDITIONS	TYPICAL		UNIT
			HC	HCT	
t _{PHL} / t _{PLH}	propagation delay nA to nY	C _L = 15 pF V _{CC} = 5 V	9	11	ns
C _I	input capacitance		3,5	3,5	pF
CPD	power dissipation capacitance per buffer	notes 1 and 2	40	40	pF

GND = 0 V; T_{amb} = 25 °C; t_r = t_f = 6 ns

Notes

- CPD is used to determine the dynamic power dissipation (P_D in μW):

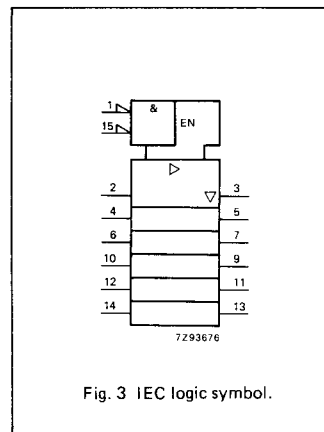
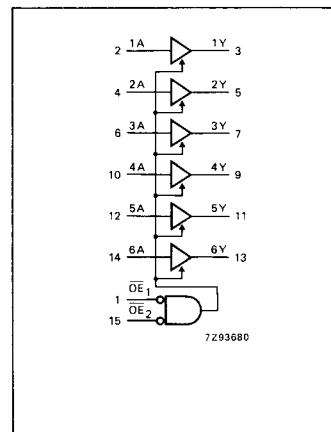
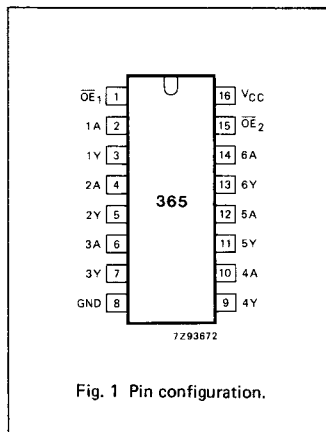
$$P_D = CPD \times V_{CC}^2 \times f_i + \sum (C_L \times V_{CC}^2 \times f_o)$$
 where:
 f_i = input frequency in MHz
 f_o = output frequency in MHz
 Σ (C_L × V_{CC}² × f_o) = sum of outputs
 C_L = output load capacitance in pF
 V_{CC} = supply voltage in V
- For HC the condition is V_I = GND to V_{CC}
 For HCT the condition is V_I = GND to V_{CC} - 1.5 V

PACKAGE OUTLINES

16-lead DIL; plastic (SOT38Z).
 16-lead mini-pack; plastic (SO16; SOT109A).

PIN DESCRIPTION

PIN NO.	SYMBOL	NAME AND FUNCTION
1, 15	$\overline{OE}_1, \overline{OE}_2$	output enable inputs (active LOW)
2, 4, 6, 10, 12, 14	1A to 6A	data inputs
3, 5, 7, 9, 11, 13	1Y to 6Y	data outputs
8	GND	ground (0 V)
16	V _{CC}	positive supply voltage



74HC/HCT365
MSI

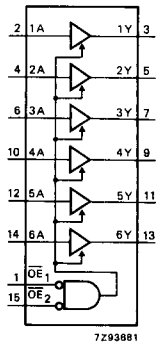


Fig. 4 Functional diagram.

FUNCTION TABLE

INPUTS			OUTPUT
\overline{OE}_1	\overline{OE}_2	nA	nY
L	L	L	L
L	L	H	H
X	H	X	Z
H	X	X	Z

H = HIGH voltage level
L = LOW voltage level
X = don't care
Z = high impedance OFF-state

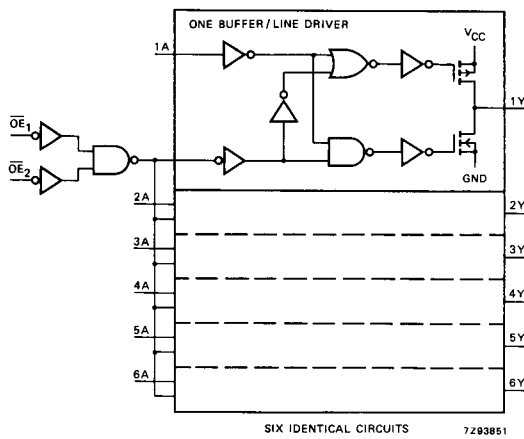


Fig. 5 Logic diagram.

Hex buffer/line driver; 3-state

74HC/HCT365
MSI

DC CHARACTERISTICS FOR 74HC

For the DC characteristics see chapter "HCMOS family characteristics", section "Family specifications".

Output capability: bus driver
ICC category: MSI

AC CHARACTERISTICS FOR 74HC

GND = 0 V; $t_r = t_f = 6$ ns; $C_L = 50$ pF

SYMBOL	PARAMETER	T _{amb} (°C)						UNIT	V _{CC} V	TEST CONDITIONS WAVEFORMS	
		74HC									
		+25			-40 to +85		-40 to +125				
		min.	typ.	max.	min.	max.	min.				max.
t _{PHL} / t _{PLH}	propagation delay nA to nY	30 11 9	95 19 16		120 24 20		145 29 25	ns	2.0 4.5 6.0	Fig. 6	
t _{PZH} / t _{PZL}	3-state output enable time OE _n to nY	47 17 14	150 30 26		190 38 33		225 45 38	ns	2.0 4.5 6.0	Fig. 7	
t _{PHZ} / t _{PLZ}	3-state output disable time OE _n to nY	61 22 18	150 30 26		190 38 33		225 45 38	ns	2.0 4.5 6.0	Fig. 7	
t _{THL} / t _{TLH}	output transition time	14 5 4	60 12 10		75 15 13		90 18 15	ns	2.0 4.5 6.0	Fig. 6	

DC CHARACTERISTICS FOR 74HCT

For the DC characteristics see chapter "HCMOS family characteristics", section "Family specifications".

Output capability: bus driver
ICC category: MSI

Note to HCT types

The value of additional quiescent supply current (ΔI_{CC}) for a unit load of 1 is given in the family specifications. To determine ΔI_{CC} per input, multiply this value by the unit load coefficient shown in the table below.

INPUT	UNIT LOAD COEFFICIENT
OE ₁	1.00
OE ₂	0.90
nA	1.00

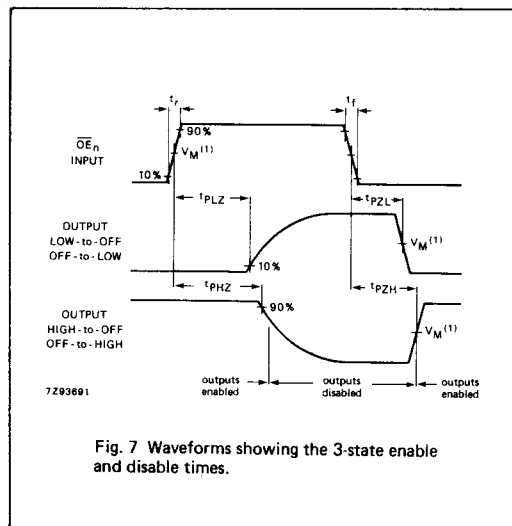
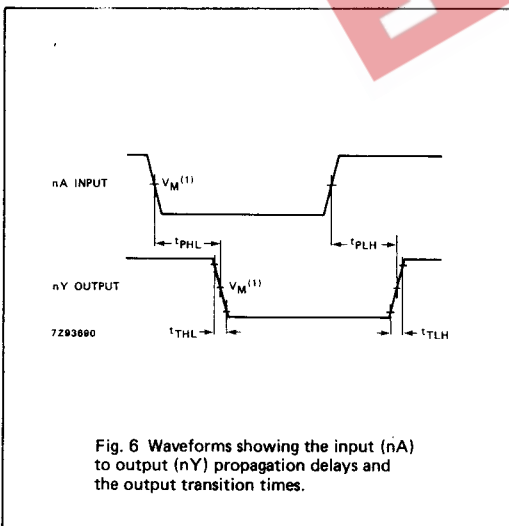
74HC/HCT365
MSI

AC CHARACTERISTICS FOR 74HCT

GND = 0 V; $t_r = t_f = 6$ ns; $C_L = 50$ pF

SYMBOL	PARAMETER	T_{amb} (°C)						UNIT	TEST CONDITIONS	
		74HCT							V_{CC} V	WAVEFORMS
		+25		-40 to +85		-40 to +125				
		min.	typ.	max.	min.	max.	min.			
t_{PHL}/t_{PLH}	propagation delay nA to nY		14	25		31		38	ns	4.5 Fig. 6
t_{PZH}/t_{PZL}	3-state output enable time \overline{OE}_n to nY		18	35		44		53	ns	4.5 Fig. 7
t_{PHZ}/t_{PLZ}	3-state output disable time \overline{OE}_n to nY		23	35		44		53	ns	4.5 Fig. 7
t_{THL}/t_{TLH}	output transition time		5	12		15		18	ns	4.5 Fig. 6

AC WAVEFORMS



Note to AC waveforms

(1) HC : $V_M = 50\%$; $V_I = \text{GND to } V_{CC}$.
HCT: $V_M = 1.3$ V; $V_I = \text{GND to } 3$ V.