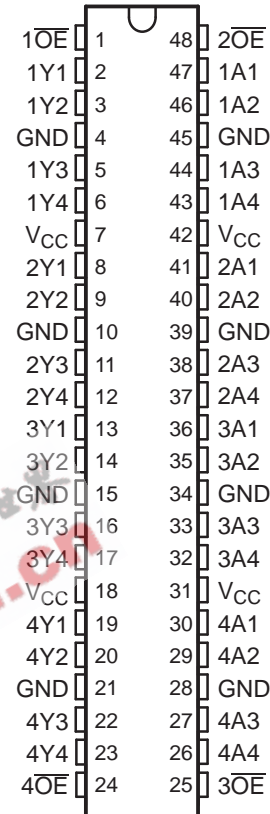


FEATURES

- Members of the Texas Instruments Widebus™ Family
- Output Ports Have Equivalent 22-Ω Series Resistors, So No External Resistors Are Required
- Support Mixed-Mode Signal Operation (5-V Input and Output Voltages With 3.3-V V_{CC})
- Support Unregulated Battery Operation Down to 2.7 V
- Typical V_{OLP} (Output Ground Bounce) <0.8 V at V_{CC} = 3.3 V, T_A = 25°C
- I_{off} and Power-Up 3-State Support Hot Insertion
- Bus Hold on Data Inputs Eliminates the Need for External Pullup/Pulldown Resistors
- Distributed V_{CC} and GND Pins Minimize High-Speed Switching Noise
- Flow-Through Architecture Optimizes PCB Layout
- Latch-Up Performance Exceeds 500 mA Per JESD 17
- ESD Protection Exceeds JESD 22
 - 2000-V Human-Body Model (A114-A)
 - 200-V Machine Model (A115-A)

SN54LVTH162244 . . . WD PACKAGE
SN74LVTH162244 . . . DGG OR DL PACKAGE
(TOP VIEW)



DESCRIPTION/ORDERING INFORMATION

ORDERING INFORMATION

| T _A | PACKAGE ⁽¹⁾ | | ORDERABLE PART NUMBER | TOP-SIDE MARKING |
|------------------|------------------------|--------------|-----------------------|-------------------|
| –40°C to 85°C | FBGA – GRD | Reel of 1000 | 74LVTH162244GRDR | LL2244 |
| | FBGA – ZRD (Pb-free) | | 74LVTH162244ZRDR | |
| | SSOP – DL | Tube of 25 | SN74LVTH162244DL | LVTH162244 |
| | | | SN74LVTH162244DLG4 | |
| | | Reel of 1000 | SN74LVTH162244DLR | |
| | | | 74LVTH162244DLRG4 | |
| | TSSOP – DGG | Reel of 2000 | SN74LVTH162244DGGR | LVTH162244 |
| | | | 74LVTH162244DGGRG4 | |
| | | | 74LVTH162244GRE4 | |
| | VFBGA – GQL | Reel of 1000 | SN74LVTH162244KR | LL2244 |
| 74LVTH162244ZQLR | | | | |
| –55°C to 125°C | CFP – WD | Tube | SNJ54LVTH162244WD | SNJ54LVTH162244WD |

(1) Package drawings, standard packing quantities, thermal data, symbolization, and PCB design guidelines are available at www.ti.com/sc/package.



Please be aware that an important notice concerning availability, standard warranty, and use in critical applications of Texas Instruments semiconductor products and disclaimers thereto appears at the end of this data sheet.

Widebus is a trademark of Texas Instruments.

SN54LVTH162244, SN74LVTH162244 3.3-V ABT 16-BIT BUFFERS/DRIVERS WITH 3-STATE OUTPUTS

SCBS258N–JUNE 1993–REVISED NOVEMBER 2006

DESCRIPTION/ORDERING INFORMATION (CONTINUED)

The 'LVTH162244 devices are 16-bit buffers and line drivers designed for low-voltage (3.3-V) V_{CC} operation, but with the capability to provide a TTL interface to a 5-V system environment. These devices can be used as four 4-bit buffers, two 8-bit buffers, or one 16-bit buffer. These devices provide true outputs and symmetrical active-low output-enable (\overline{OE}) inputs.

The outputs, which are designed to source or sink up to 12 mA, include equivalent 22- Ω series resistors to reduce overshoot and undershoot.

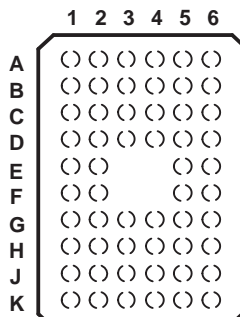
Active bus-hold circuitry holds unused or undriven inputs at a valid logic state. Use of pullup or pulldown resistors with the bus-hold circuitry is not recommended.

When V_{CC} is between 0 and 1.5 V, the devices are in the high-impedance state during power up or power down. However, to ensure the high-impedance state above 1.5 V, \overline{OE} should be tied to V_{CC} through a pullup resistor; the minimum value of the resistor is determined by the current-sinking capability of the driver.

These devices are fully specified for hot-insertion applications using I_{off} and power-up 3-state. The I_{off} circuitry disables the outputs, preventing damaging current backflow through the devices when they are powered down. The power-up 3-state circuitry places the outputs in the high-impedance state during power up and power down, which prevents driver conflict.

EEPW 电子产品世界
.com.cn

**GQL OR ZQL PACKAGE
(TOP VIEW)**

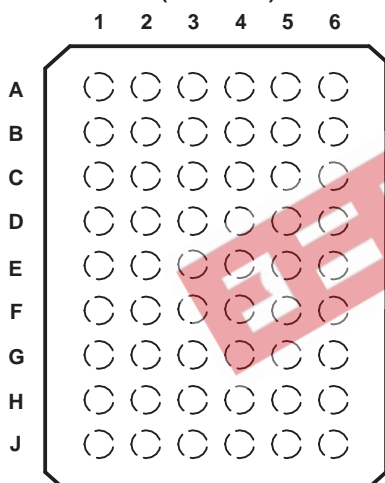


**TERMINAL ASSIGNMENTS⁽¹⁾
(56-Ball GQL/ZQL Package)**

| | 1 | 2 | 3 | 4 | 5 | 6 |
|----------|-------------------|-----|-----------------|-----------------|-----|-------------------|
| A | 1 \overline{OE} | NC | NC | NC | NC | 2 \overline{OE} |
| B | 1Y2 | 1Y1 | GND | GND | 1A1 | 1A2 |
| C | 1Y4 | 1Y3 | V _{CC} | V _{CC} | 1A3 | 1A4 |
| D | 2Y2 | 2Y1 | GND | GND | 2A1 | 2A2 |
| E | 2Y4 | 2Y3 | | | 2A3 | 2A4 |
| F | 3Y1 | 3Y2 | | | 3A2 | 3A1 |
| G | 3Y3 | 3Y4 | GND | GND | 3A4 | 3A3 |
| H | 4Y1 | 4Y2 | V _{CC} | V _{CC} | 4A2 | 4A1 |
| J | 4Y3 | 4Y4 | GND | GND | 4A4 | 4A3 |
| K | 4 \overline{OE} | NC | NC | NC | NC | 3 \overline{OE} |

(1) NC – No internal connection

**GRD OR ZRD PACKAGE
(TOP VIEW)**



**TERMINAL ASSIGNMENTS⁽¹⁾
(54-Ball GRD/ZRD Package)**

| | 1 | 2 | 3 | 4 | 5 | 6 |
|----------|-----|-----|-------------------|-------------------|-----|-----|
| A | 1Y1 | NC | 1 \overline{OE} | 2 \overline{OE} | NC | 1A1 |
| B | 1Y3 | 1Y2 | NC | NC | 1A2 | 1A3 |
| C | 2Y1 | 1Y4 | V _{CC} | V _{CC} | 1A4 | 2A1 |
| D | 2Y3 | 2Y2 | GND | GND | 2A2 | 2A3 |
| E | 3Y1 | 2Y4 | GND | GND | 2A4 | 3A1 |
| F | 3Y3 | 3Y2 | GND | GND | 3A2 | 3A3 |
| G | 4Y1 | 3Y4 | V _{CC} | V _{CC} | 3A4 | 4A1 |
| H | 4Y3 | 4Y2 | NC | NC | 4A2 | 4A3 |
| J | 4Y4 | NC | 4 \overline{OE} | 3 \overline{OE} | NC | 4A4 |

(1) NC – No internal connection

**FUNCTION TABLE
(EACH 4-BIT BUFFER)**

| INPUTS | | OUTPUT Y |
|-----------------|---|-------------|
| \overline{OE} | A | |
| L | H | H |
| L | L | L |
| H | X | Z |

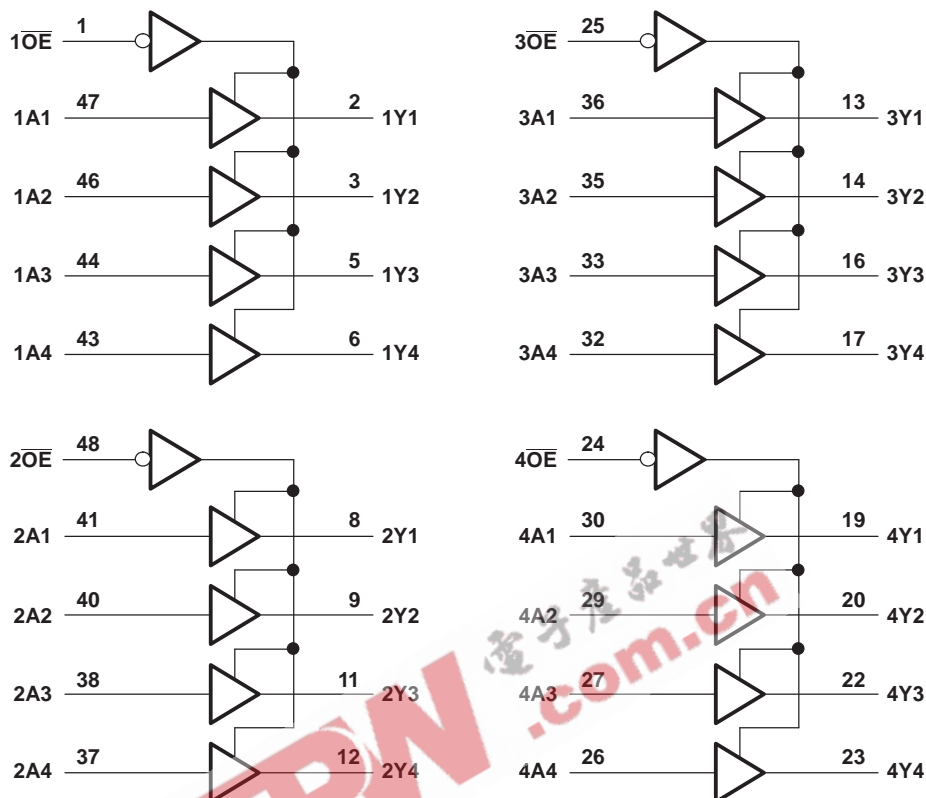
SN54LVTH162244, SN74LVTH162244

3.3-V ABT 16-BIT BUFFERS/DRIVERS

WITH 3-STATE OUTPUTS

SCBS258N–JUNE 1993–REVISED NOVEMBER 2006

LOGIC DIAGRAM (POSITIVE LOGIC)



Pin numbers shown are for the DGG, DL, and WD packages.

Absolute Maximum Ratings⁽¹⁾

over operating free-air temperature range (unless otherwise noted)

| | | MIN | MAX | UNIT |
|---------------|---------------------------------------------------------------------------------------------|-----------------|----------------|------|
| V_{CC} | Supply voltage range | -0.5 | 4.6 | V |
| V_I | Input voltage range ⁽²⁾ | -0.5 | 7 | V |
| V_O | Voltage range applied to any output in the high-impedance or power-off state ⁽²⁾ | -0.5 | 7 | V |
| V_O | Voltage range applied to any output in the high state ⁽²⁾ | -0.5 | $V_{CC} + 0.5$ | V |
| I_O | Current into any output in the low state | | 30 | mA |
| I_O | Current into any output in the high state ⁽³⁾ | | 30 | mA |
| I_{IK} | Input clamp current | $V_I < 0$ | -50 | mA |
| I_{OK} | Output clamp current | $V_O < 0$ | -50 | mA |
| θ_{JA} | Package thermal impedance ⁽⁴⁾ | DGG package | 70 | °C/W |
| | | DL package | 63 | |
| | | GQL/ZQL package | 42 | |
| | | GRD/ZRD package | 36 | |
| T_{stg} | Storage temperature range | -65 | 150 | °C |

(1) Stresses beyond those listed under "absolute maximum ratings" may cause permanent damage to the device. These are stress ratings only, and functional operation of the device at these or any other conditions beyond those indicated under "recommended operating conditions" is not implied. Exposure to absolute-maximum-rated conditions for extended periods may affect device reliability.

(2) The input and output negative-voltage ratings may be exceeded if the input and output clamp-current ratings are observed.

(3) This current flows only when the output is in the high state and $V_O > V_{CC}$.

(4) The package thermal impedance is calculated in accordance with JESD 51-7.

Recommended Operating Conditions⁽¹⁾

| | | SN54LVTH162244 | | SN74LVTH162244 | | UNIT |
|---------------------|------------------------------------|-----------------|-----|----------------|-----|------|
| | | MIN | MAX | MIN | MAX | |
| V _{CC} | Supply voltage | 2.7 | 3.6 | 2.7 | 3.6 | V |
| V _{IH} | High-level input voltage | 2 | | 2 | | V |
| V _{IL} | Low-level input voltage | | 0.8 | | 0.8 | V |
| V _I | Input voltage | | 5.5 | | 5.5 | V |
| I _{OH} | High-level output current | | -12 | | -12 | mA |
| I _{OL} | Low-level output current | | 12 | | 12 | mA |
| Δt/Δv | Input transition rise or fall rate | Outputs enabled | | 10 | 10 | ns/V |
| Δt/ΔV _{CC} | Power-up ramp rate | 200 | | 200 | | μs/V |
| T _A | Operating free-air temperature | -55 | 125 | -40 | 85 | °C |

(1) All unused control inputs of the device must be held at V_{CC} or GND to ensure proper device operation. Refer to the TI application report, *Implications of Slow or Floating CMOS Inputs*, literature number SCBA004.

Electrical Characteristics

over recommended operating free-air temperature range (unless otherwise noted)

| PARAMETER | | TEST CONDITIONS | | SN54LVTH162244 | | | SN74LVTH162244 | | | UNIT |
|---------------------------------|----------------|--------------------------------------------------------------------------------------------------------------|-----------------------------------------------|----------------|--------------------|---------------------|----------------|--------------------|-------------|------|
| | | | | MIN | TYP ⁽¹⁾ | MAX | MIN | TYP ⁽¹⁾ | MAX | |
| V _{IK} | | V _{CC} = 2.7 V, | I _I = -18 mA | | | -1.2 | | | -1.2 | V |
| V _{OH} | | V _{CC} = 3 V, | I _{OH} = -12 mA | 2 | | | 2 | | | V |
| V _{OL} | | V _{CC} = 3 V, | I _{OL} = 12 mA | | | 0.8 | | | 0.8 | V |
| I _I | Control inputs | V _{CC} = 0 or 3.6 V, V _I = 5.5 V | | | | 10 | | | 10 | μA |
| | | V _{CC} = 3.6 V, V _I = V _{CC} or GND | | | | ±1 | | | ±1 | |
| | | V _{CC} = 3.6 V, V _I = V _{CC} | | | | 1 | | | 1 | |
| | Data inputs | V _{CC} = 3.6 V, V _I = 0 | | | | -5 | | | -5 | |
| I _{off} | | V _{CC} = 0, | V _I or V _O = 0 to 4.5 V | | | | | | ±100 | μA |
| I _{I(hold)} | Data inputs | V _{CC} = 3 V | V _I = 0.8 V | 75 | | 75 | | | | μA |
| | | | V _I = 2 V | -75 | | -75 | | | | |
| | | V _{CC} = 3.6 V, ⁽²⁾ | V _I = 0 to 3.6 V | | | | | | 500 -750 | |
| I _{OZH} | | V _{CC} = 3.6 V, | V _O = 3 V | | | 5 | | | 5 | μA |
| I _{OZL} | | V _{CC} = 3.6 V, | V _O = 0.5 V | | | -5 | | | -5 | μA |
| I _{OZPU} | | V _{CC} = 0 to 1.5 V, V _O = 0.5 V to 3 V, \overline{OE} = don't care | | | | ±100 ⁽³⁾ | | | ±100 | μA |
| I _{OZPD} | | V _{CC} = 1.5 V to 0, V _O = 0.5 V to 3 V, \overline{OE} = don't care | | | | ±100 ⁽³⁾ | | | ±100 | μA |
| I _{CC} | | V _{CC} = 3.6 V, I _O = 0, V _I = V _{CC} or GND | Outputs high | | | 0.19 | | | 0.19 | mA |
| | | | Outputs low | | | 5 | | | 5 | |
| | | | Outputs disabled | | | 0.19 | | | 0.19 | |
| ΔI _{CC} ⁽⁴⁾ | | V _{CC} = 3 V to 3.6 V, One input at V _{CC} - 0.6 V, Other inputs at V _{CC} or GND | | | | 0.2 | | | 0.2 | mA |
| C _i | | V _I = 3 V or 0 | | | | 4 | | | 4 | pF |
| C _o | | V _O = 3 V or 0 | | | | 9 | | | 9 | pF |

(1) All typical values are at V_{CC} = 3.3 V, T_A = 25°C.

(2) This is the bus-hold maximum dynamic current. It is the minimum overdrive current required to switch the input from one state to another.

(3) On products compliant to MIL-PRF-38535, this parameter is not production tested.

(4) This is the increase in supply current for each input that is at the specified TTL voltage level, rather than V_{CC} or GND.

SN54LVTH162244, SN74LVTH162244
3.3-V ABT 16-BIT BUFFERS/DRIVERS
WITH 3-STATE OUTPUTS

SCBS258N–JUNE 1993–REVISED NOVEMBER 2006

Switching Characteristics

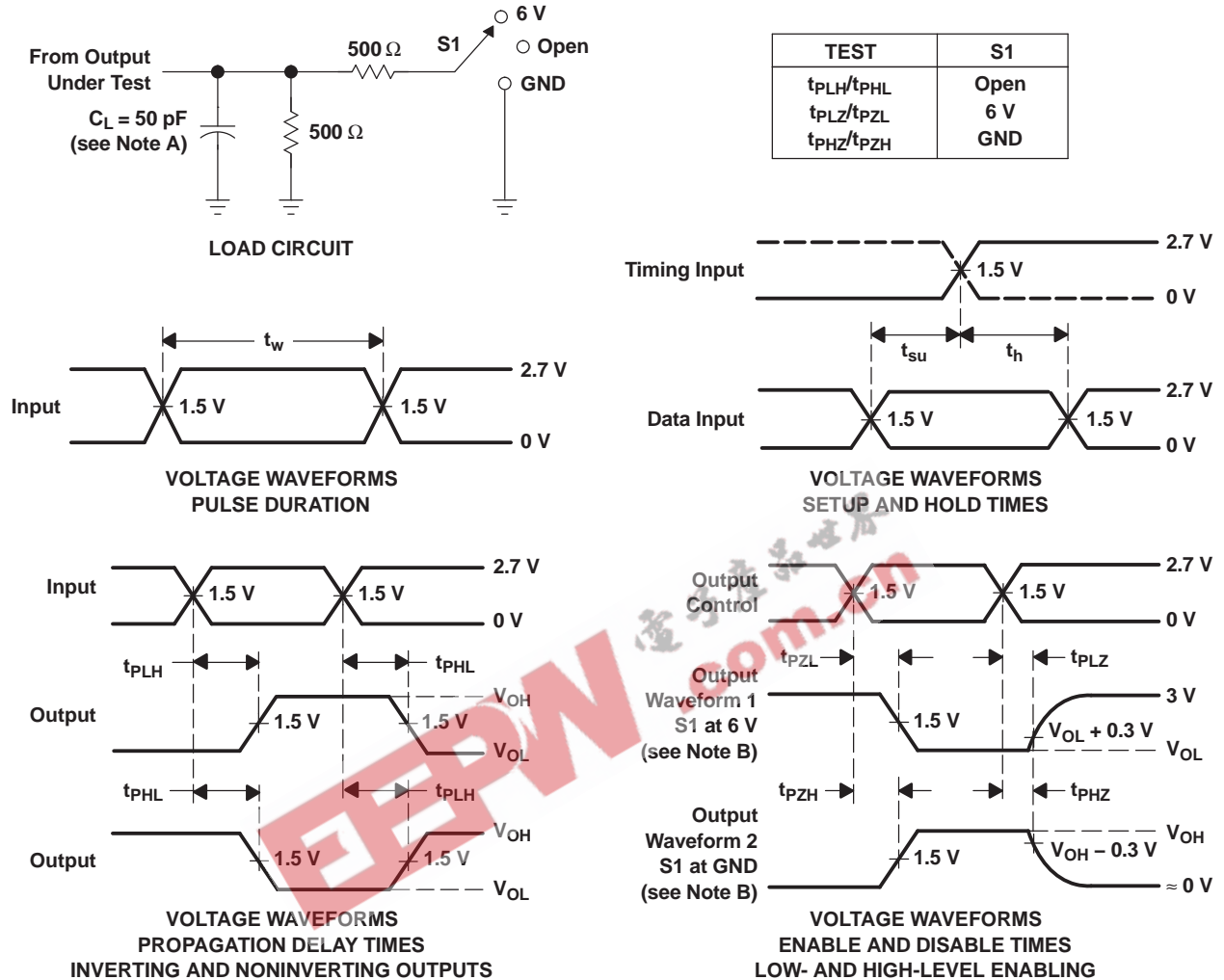
over recommended operating free-air temperature range, $C_L = 50$ pF (unless otherwise noted) (see Figure 1)

| PARAMETER | FROM (INPUT) | TO (OUTPUT) | SN54LVTH162244 | | | | SN74LVTH162244 | | | | UNIT | |
|--------------|-----------------|-------------|------------------------------------------|-----|-------------------------|-----|------------------------------------------|--------------------|-----|-------------------------|------|-----|
| | | | $V_{CC} = 3.3\text{ V} \pm 0.3\text{ V}$ | | $V_{CC} = 2.7\text{ V}$ | | $V_{CC} = 3.3\text{ V} \pm 0.3\text{ V}$ | | | $V_{CC} = 2.7\text{ V}$ | | |
| | | | MIN | MAX | MIN | MAX | MIN | TYP ⁽¹⁾ | MAX | MIN | | MAX |
| t_{PLH} | A | Y | 1.1 | 4.6 | 5.1 | | 1.4 | 3.4 | 4 | 4.8 | | ns |
| t_{PHL} | | | 1.1 | 3.9 | 4.5 | | 1.2 | 2.9 | 3.6 | 4.1 | | |
| t_{PZH} | \overline{OE} | Y | 1.1 | 5.4 | 6.7 | | 1.2 | 3.9 | 5.1 | 6.5 | | ns |
| t_{PZL} | | | 1.3 | 4.9 | 6.1 | | 1.4 | 3.8 | 4.5 | 5.8 | | |
| t_{PHZ} | \overline{OE} | Y | 1.6 | 5.9 | 6.5 | | 2.2 | 4.4 | 5.0 | 5.4 | | ns |
| t_{PLZ} | | | 1 | 5.9 | 5.8 | | 2 | 4.2 | 5.0 | 5.4 | | |
| $t_{sk(LH)}$ | | | | | | | | 0.5 | | | ns | |
| $t_{sk(HL)}$ | | | | | | | | 0.5 | | | | |

(1) All typical values are at $V_{CC} = 3.3\text{ V}$, $T_A = 25^\circ\text{C}$.



PARAMETER MEASUREMENT INFORMATION



- NOTES:
- A. C_L includes probe and jig capacitance.
 - B. Waveform 1 is for an output with internal conditions such that the output is low, except when disabled by the output control. Waveform 2 is for an output with internal conditions such that the output is high, except when disabled by the output control.
 - C. All input pulses are supplied by generators having the following characteristics: PRR $\leq 10 \text{ MHz}$, $Z_O = 50 \Omega$, $t_r \leq 2.5 \text{ ns}$, $t_f \leq 2.5 \text{ ns}$.
 - D. The outputs are measured one at a time, with one transition per measurement.

Figure 1. Load Circuit and Voltage Waveforms

PACKAGING INFORMATION

| Orderable Device | Status ⁽¹⁾ | Package Type | Package Drawing | Pins | Package Qty | Eco Plan ⁽²⁾ | Lead/Ball Finish | MSL Peak Temp ⁽³⁾ |
|--------------------|-----------------------|----------------------------------|-----------------|------|-------------|-------------------------|------------------|------------------------------|
| 5962-9680901QXA | ACTIVE | CFP | WD | 48 | 1 | TBD | A42 SNPB | N / A for Pkg Type |
| 5962-9680901VXA | ACTIVE | CFP | WD | 48 | 1 | TBD | A42 SNPB | N / A for Pkg Type |
| 74LVTH162244DGGRG4 | ACTIVE | TSSOP | DGG | 48 | 2000 | Green (RoHS & no Sb/Br) | CU NIPDAU | Level-1-260C-UNLIM |
| 74LVTH162244DLRG4 | ACTIVE | SSOP | DL | 48 | 1000 | Green (RoHS & no Sb/Br) | CU NIPDAU | Level-1-260C-UNLIM |
| 74LVTH162244GRDR | ACTIVE | BGA MI CROSTA R JUNI OR | GRD | 54 | 1000 | TBD | SNPB | Level-1-240C-UNLIM |
| 74LVTH162244GRE4 | ACTIVE | TSSOP | DGG | 48 | 2000 | Green (RoHS & no Sb/Br) | CU NIPDAU | Level-1-260C-UNLIM |
| 74LVTH162244ZQLR | ACTIVE | BGA MI CROSTA R JUNI OR | ZQL | 56 | 1000 | Green (RoHS & no Sb/Br) | SNAGCU | Level-1-260C-UNLIM |
| 74LVTH162244ZRDR | ACTIVE | BGA MI CROSTA R JUNI OR | ZRD | 54 | 1000 | Green (RoHS & no Sb/Br) | SNAGCU | Level-1-260C-UNLIM |
| SN74LVTH162244DGGR | ACTIVE | TSSOP | DGG | 48 | 2000 | Green (RoHS & no Sb/Br) | CU NIPDAU | Level-1-260C-UNLIM |
| SN74LVTH162244DL | ACTIVE | SSOP | DL | 48 | 25 | Green (RoHS & no Sb/Br) | CU NIPDAU | Level-1-260C-UNLIM |
| SN74LVTH162244DLG4 | ACTIVE | SSOP | DL | 48 | 25 | Green (RoHS & no Sb/Br) | CU NIPDAU | Level-1-260C-UNLIM |
| SN74LVTH162244DLR | ACTIVE | SSOP | DL | 48 | 1000 | Green (RoHS & no Sb/Br) | CU NIPDAU | Level-1-260C-UNLIM |
| SN74LVTH162244KR | ACTIVE | BGA MI CROSTA R JUNI OR | GQL | 56 | 1000 | TBD | SNPB | Level-1-240C-UNLIM |
| SNJ54LVTH162244WD | ACTIVE | CFP | WD | 48 | 1 | TBD | A42 SNPB | N / A for Pkg Type |

⁽¹⁾ The marketing status values are defined as follows:

ACTIVE: Product device recommended for new designs.

LIFEBUY: TI has announced that the device will be discontinued, and a lifetime-buy period is in effect.

NRND: Not recommended for new designs. Device is in production to support existing customers, but TI does not recommend using this part in a new design.

PREVIEW: Device has been announced but is not in production. Samples may or may not be available.

OBSOLETE: TI has discontinued the production of the device.

⁽²⁾ Eco Plan - The planned eco-friendly classification: Pb-Free (RoHS), Pb-Free (RoHS Exempt), or Green (RoHS & no Sb/Br) - please check <http://www.ti.com/productcontent> for the latest availability information and additional product content details.

TBD: The Pb-Free/Green conversion plan has not been defined.

Pb-Free (RoHS): TI's terms "Lead-Free" or "Pb-Free" mean semiconductor products that are compatible with the current RoHS requirements for all 6 substances, including the requirement that lead not exceed 0.1% by weight in homogeneous materials. Where designed to be soldered at high temperatures, TI Pb-Free products are suitable for use in specified lead-free processes.

Pb-Free (RoHS Exempt): This component has a RoHS exemption for either 1) lead-based flip-chip solder bumps used between the die and package, or 2) lead-based die adhesive used between the die and leadframe. The component is otherwise considered Pb-Free (RoHS compatible) as defined above.

Green (RoHS & no Sb/Br): TI defines "Green" to mean Pb-Free (RoHS compatible), and free of Bromine (Br) and Antimony (Sb) based flame retardants (Br or Sb do not exceed 0.1% by weight in homogeneous material)

⁽³⁾ MSL, Peak Temp. -- The Moisture Sensitivity Level rating according to the JEDEC industry standard classifications, and peak solder temperature.

Important Information and Disclaimer:The information provided on this page represents TI's knowledge and belief as of the date that it is provided. TI bases its knowledge and belief on information provided by third parties, and makes no representation or warranty as to the accuracy of such information. Efforts are underway to better integrate information from third parties. TI has taken and continues to take reasonable steps to provide representative and accurate information but may not have conducted destructive testing or chemical analysis on incoming materials and chemicals. TI and TI suppliers consider certain information to be proprietary, and thus CAS numbers and other limited information may not be available for release.

In no event shall TI's liability arising out of such information exceed the total purchase price of the TI part(s) at issue in this document sold by TI to Customer on an annual basis.

EEPW 电子产品世界
.com.cn

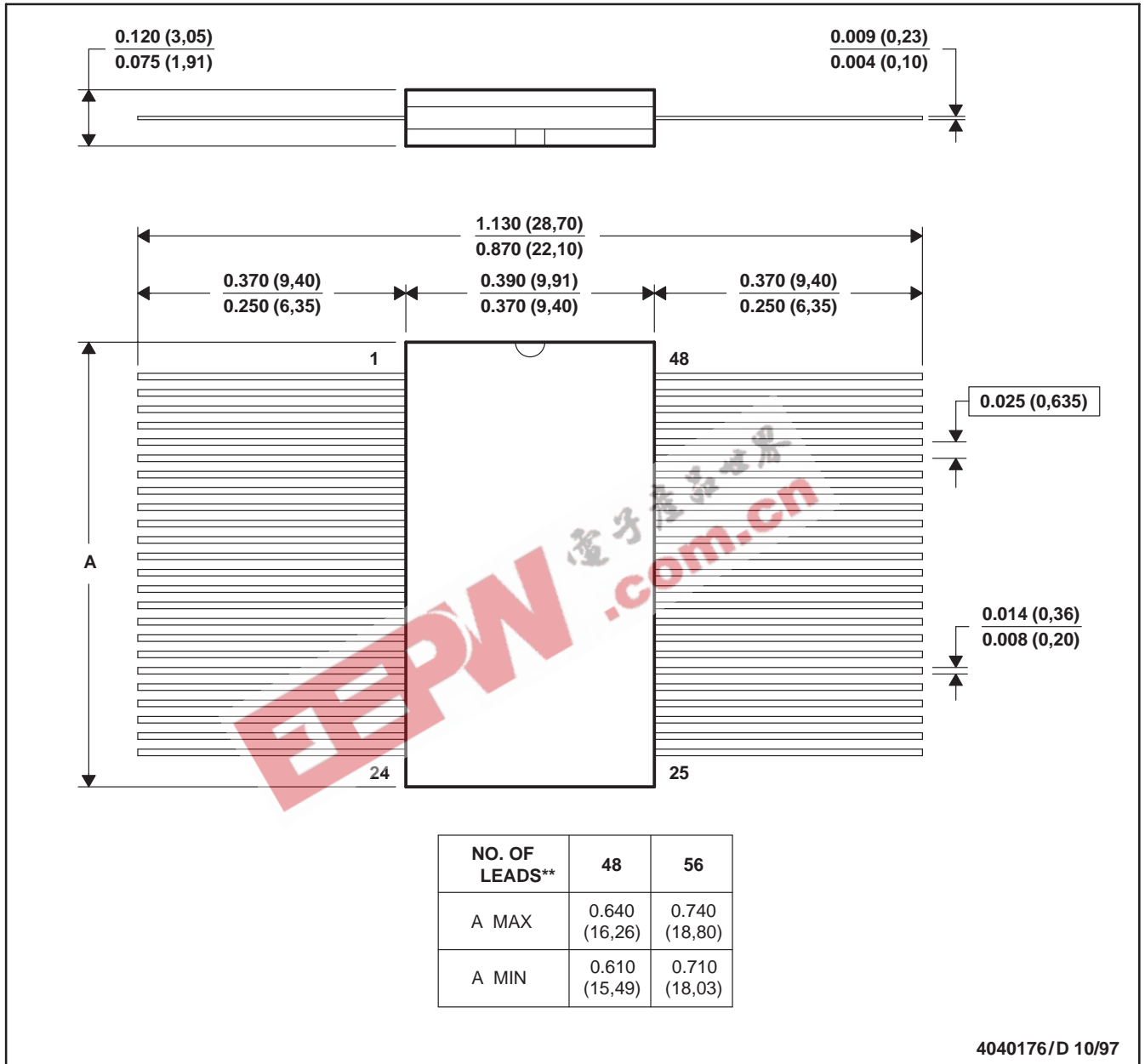
MECHANICAL DATA

MCFP010B – JANUARY 1995 – REVISED NOVEMBER 1997

WD (R-GDFP-F)**

CERAMIC DUAL FLATPACK

48 LEADS SHOWN

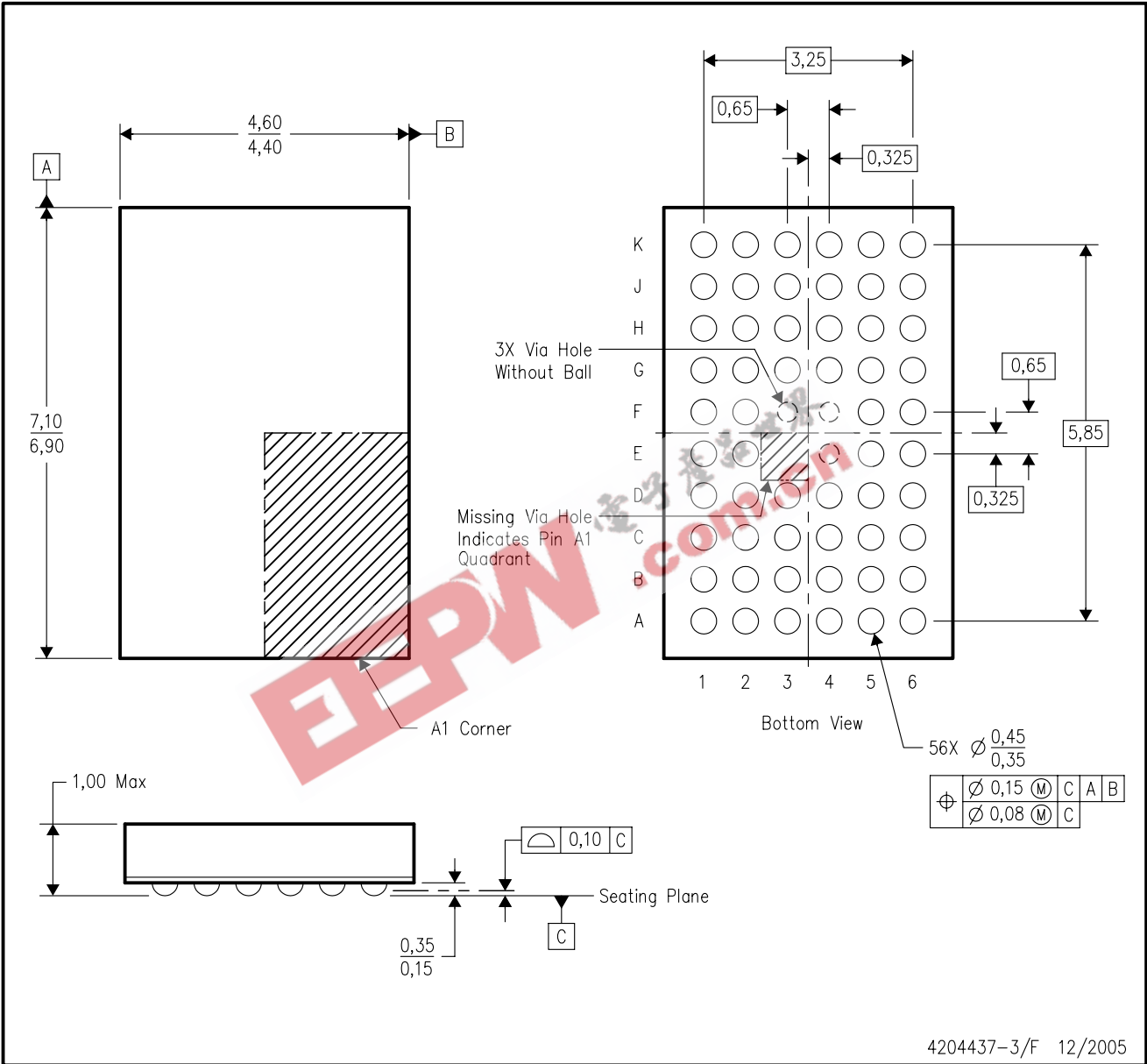


- NOTES: A. All linear dimensions are in inches (millimeters).
 B. This drawing is subject to change without notice.
 C. This package can be hermetically sealed with a ceramic lid using glass frit.
 D. Index point is provided on cap for terminal identification only
 E. Falls within MIL STD 1835: GDFP1-F48 and JEDEC MO-146AA
 GDFP1-F56 and JEDEC MO-146AB

MECHANICAL DATA

ZQL (R-PBGA-N56)

PLASTIC BALL GRID ARRAY



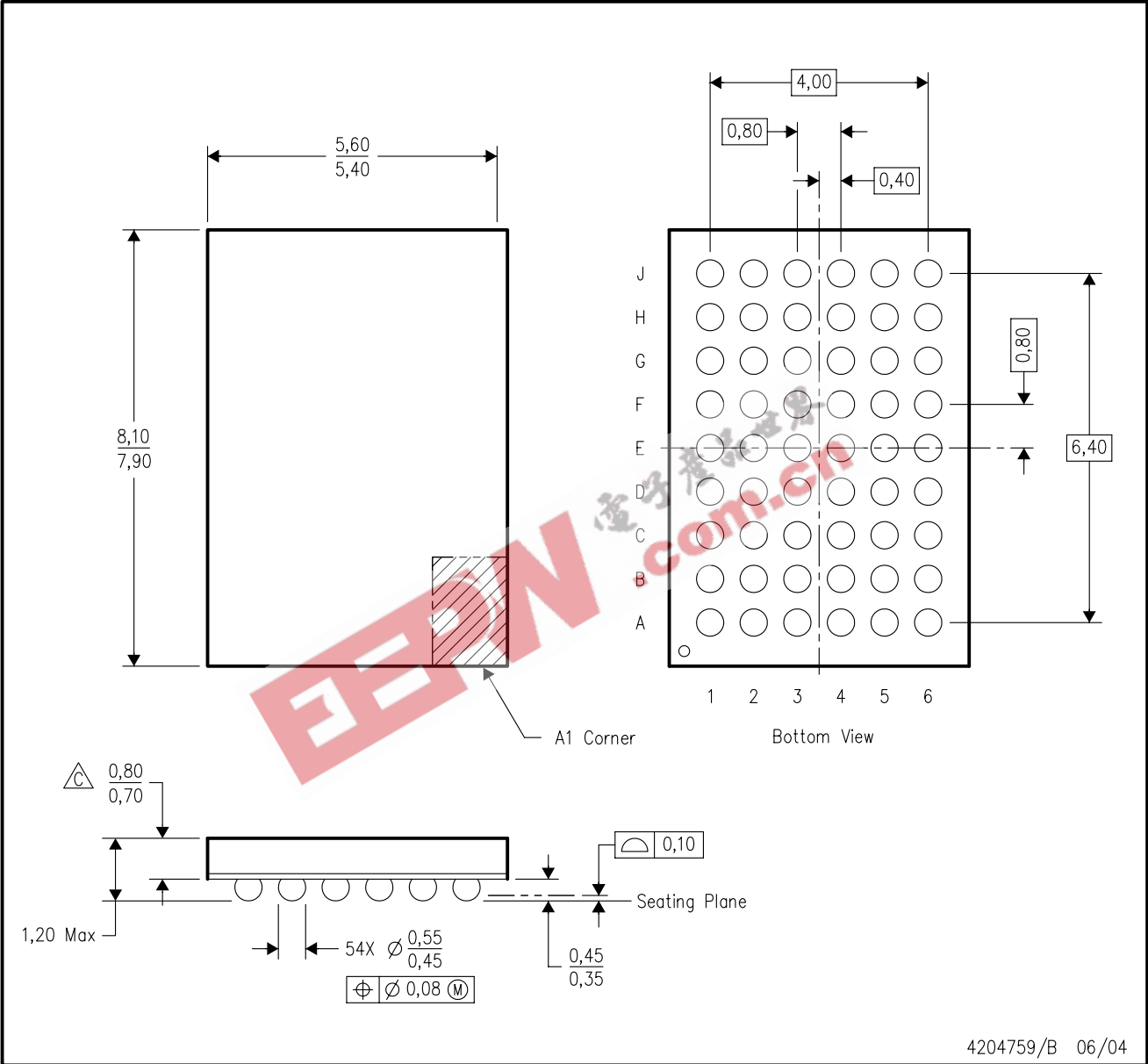
4204437-3/F 12/2005

- NOTES:
- A. All linear dimensions are in millimeters. Dimensioning and tolerancing per ASME Y14.5M-1994.
 - B. This drawing is subject to change without notice.
 - C. Falls within JEDEC MO-225 variation BA.
 - D. This package is lead-free. Refer to the 56 GQL package (drawing 4200583) for tin-lead (SnPb).

MECHANICAL DATA

GRD (R-PBGA-N54)

PLASTIC BALL GRID ARRAY



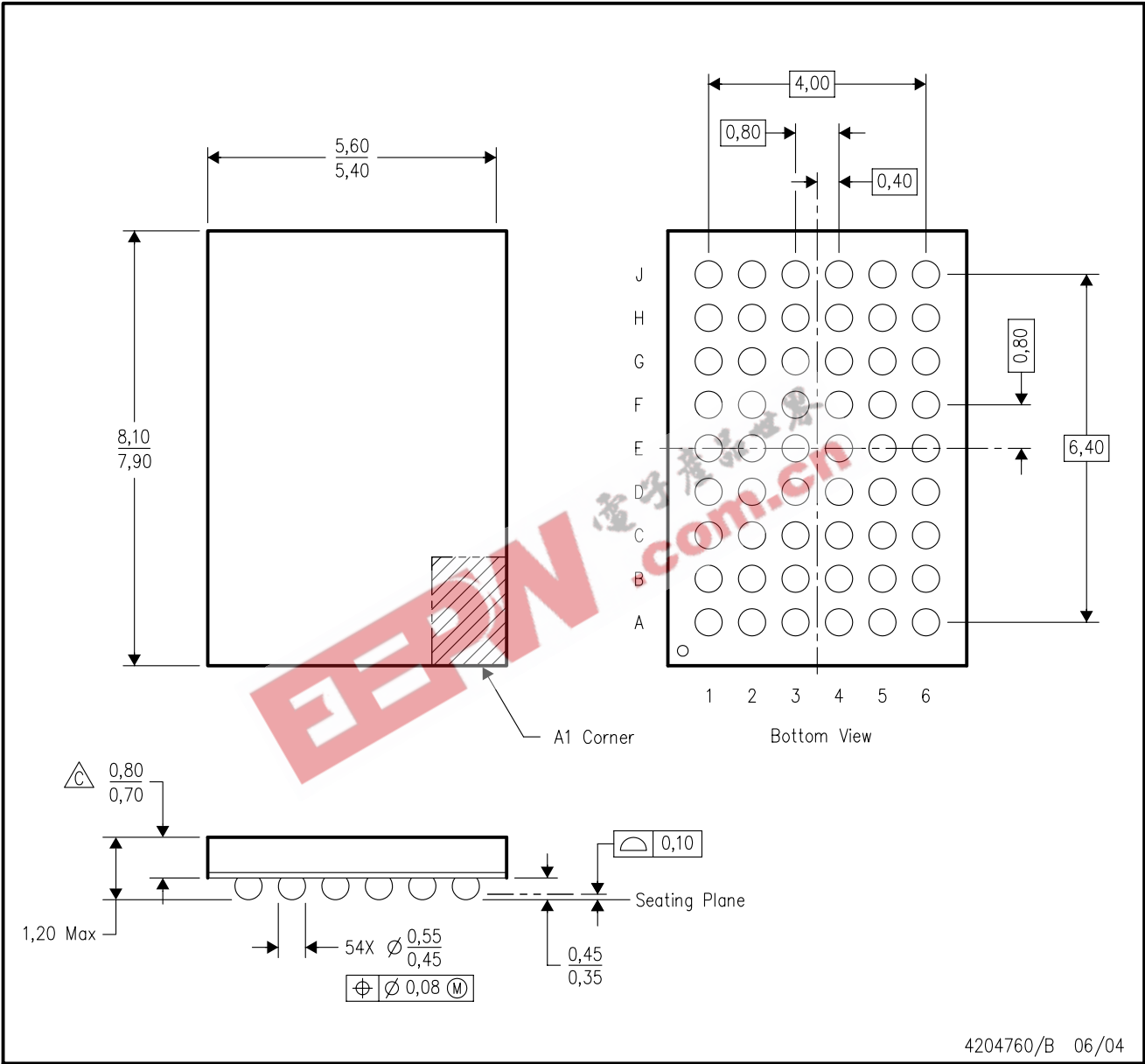
4204759/B 06/04

- NOTES:
- A. All linear dimensions are in millimeters.
 - B. This drawing is subject to change without notice.
 - C Falls within JEDEC MO-205 variation DD.
 - D. This package is tin-lead (SnPb). Refer to the 54 ZRD package (drawing 4204760) for lead-free.

MECHANICAL DATA

ZRD (R-PBGA-N54)

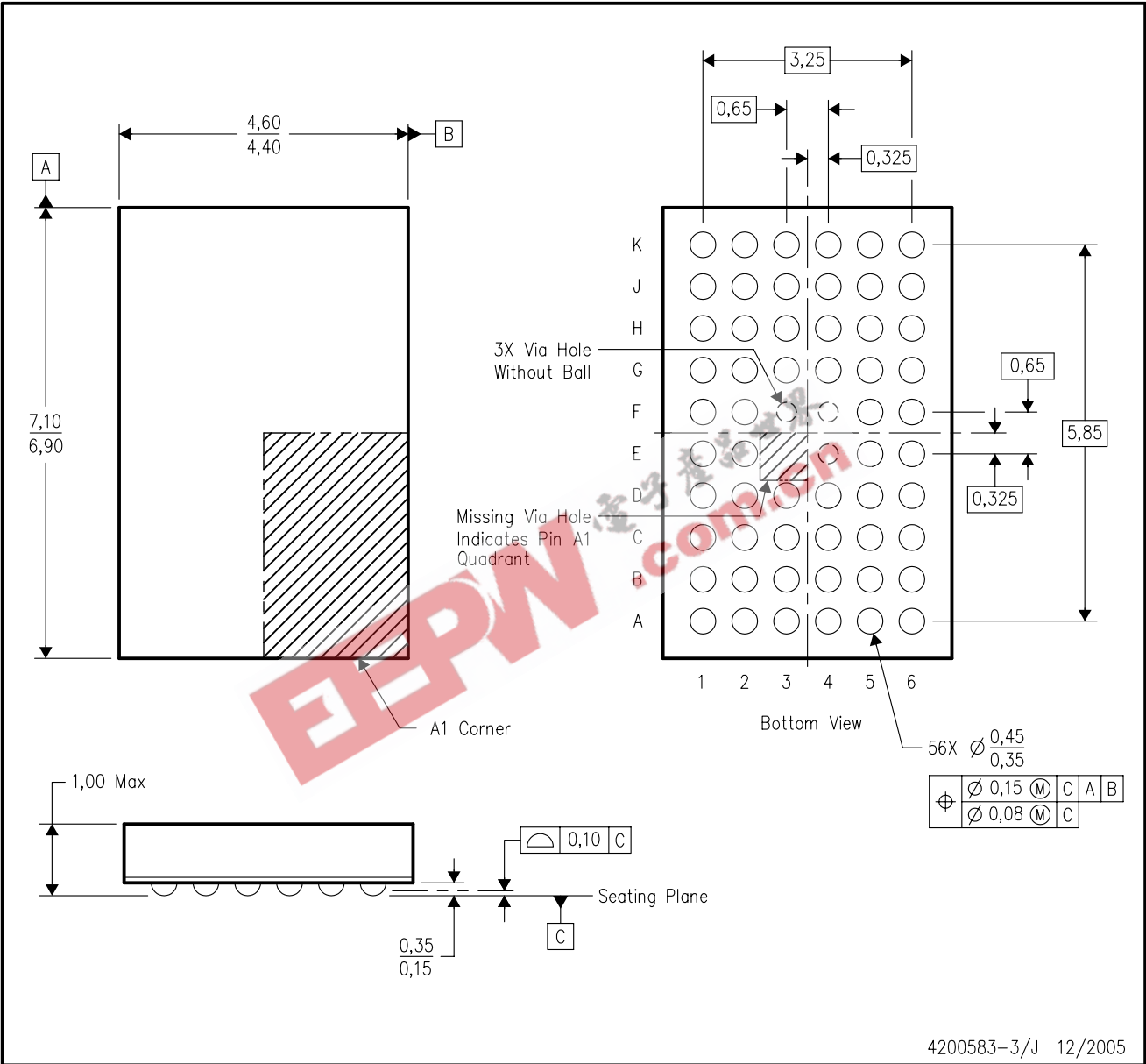
PLASTIC BALL GRID ARRAY



MECHANICAL DATA

GQL (R-PBGA-N56)

PLASTIC BALL GRID ARRAY



- NOTES:
- A. All linear dimensions are in millimeters. Dimensioning and tolerancing per ASME Y14.5M-1994.
 - B. This drawing is subject to change without notice.
 - C. Falls within JEDEC MO-225 variation BA.
 - D. This package is tin-lead (SnPb). Refer to the 56 ZQL package (drawing 4204437) for lead-free.

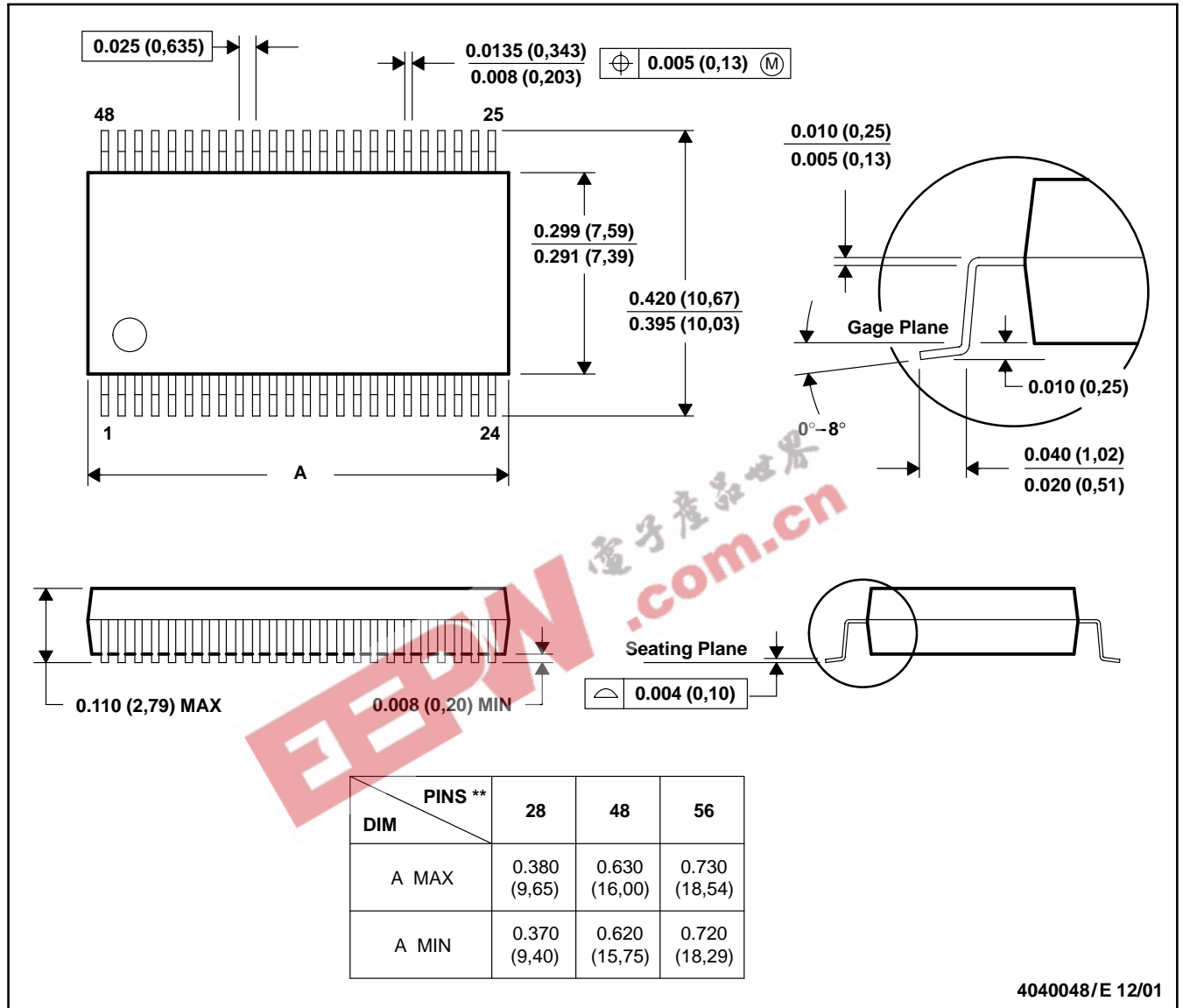
MECHANICAL DATA

MSS0001C – JANUARY 1995 – REVISED DECEMBER 2001

DL (R-PDSO-G**)

PLASTIC SMALL-OUTLINE PACKAGE

48 PINS SHOWN



- NOTES: A. All linear dimensions are in inches (millimeters).
 B. This drawing is subject to change without notice.
 C. Body dimensions do not include mold flash or protrusion not to exceed 0.006 (0,15).
 D. Falls within JEDEC MO-118

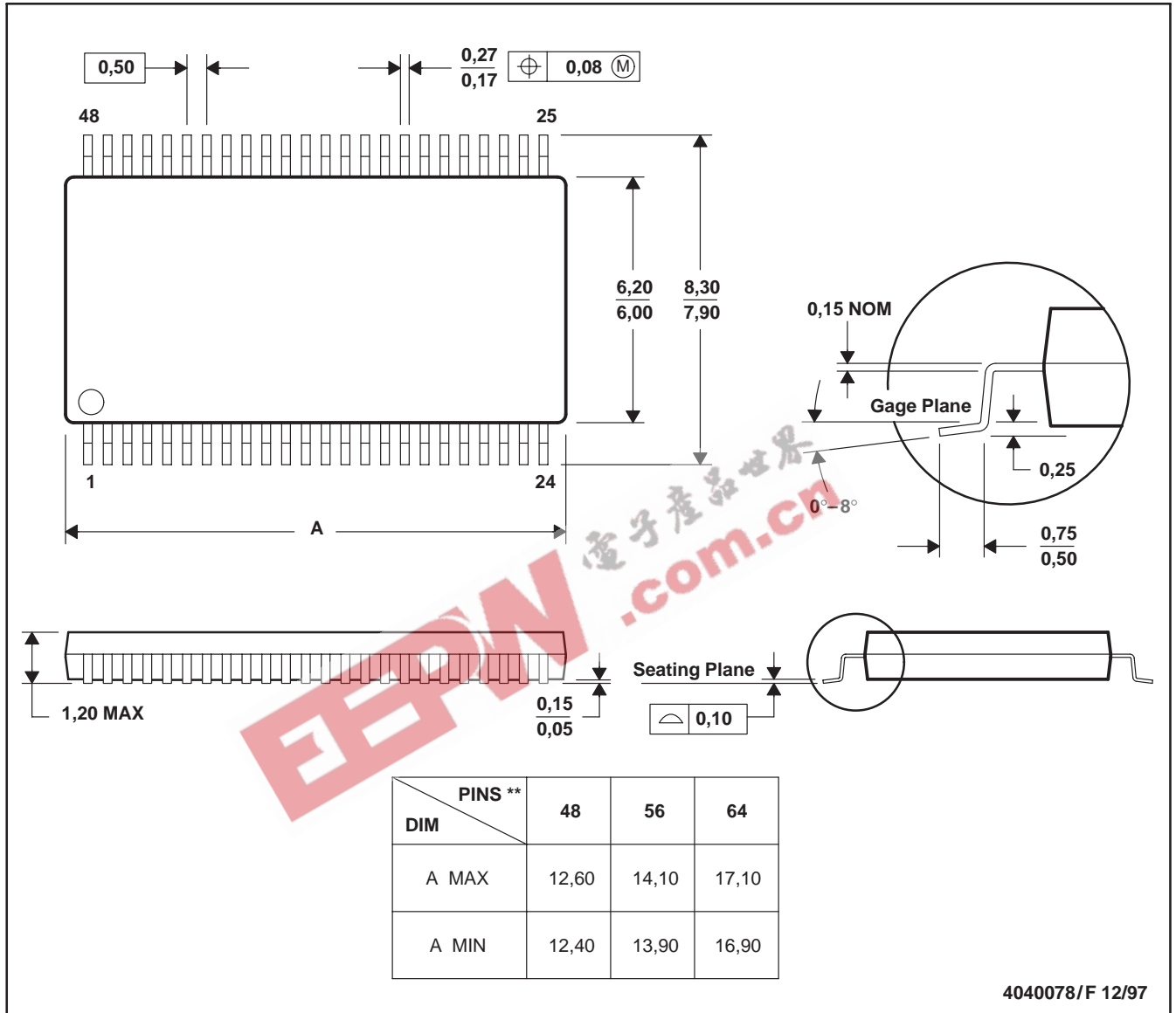
MECHANICAL DATA

MTSS003D – JANUARY 1995 – REVISED JANUARY 1998

DGG (R-PDSO-G**)

PLASTIC SMALL-OUTLINE PACKAGE

48 PINS SHOWN



- NOTES: A. All linear dimensions are in millimeters.
 B. This drawing is subject to change without notice.
 C. Body dimensions do not include mold protrusion not to exceed 0,15.
 D. Falls within JEDEC MO-153

4040078/F 12/97

IMPORTANT NOTICE

Texas Instruments Incorporated and its subsidiaries (TI) reserve the right to make corrections, modifications, enhancements, improvements, and other changes to its products and services at any time and to discontinue any product or service without notice. Customers should obtain the latest relevant information before placing orders and should verify that such information is current and complete. All products are sold subject to TI's terms and conditions of sale supplied at the time of order acknowledgment.

TI warrants performance of its hardware products to the specifications applicable at the time of sale in accordance with TI's standard warranty. Testing and other quality control techniques are used to the extent TI deems necessary to support this warranty. Except where mandated by government requirements, testing of all parameters of each product is not necessarily performed.

TI assumes no liability for applications assistance or customer product design. Customers are responsible for their products and applications using TI components. To minimize the risks associated with customer products and applications, customers should provide adequate design and operating safeguards.

TI does not warrant or represent that any license, either express or implied, is granted under any TI patent right, copyright, mask work right, or other TI intellectual property right relating to any combination, machine, or process in which TI products or services are used. Information published by TI regarding third-party products or services does not constitute a license from TI to use such products or services or a warranty or endorsement thereof. Use of such information may require a license from a third party under the patents or other intellectual property of the third party, or a license from TI under the patents or other intellectual property of TI.

Reproduction of information in TI data books or data sheets is permissible only if reproduction is without alteration and is accompanied by all associated warranties, conditions, limitations, and notices. Reproduction of this information with alteration is an unfair and deceptive business practice. TI is not responsible or liable for such altered documentation.

Resale of TI products or services with statements different from or beyond the parameters stated by TI for that product or service voids all express and any implied warranties for the associated TI product or service and is an unfair and deceptive business practice. TI is not responsible or liable for any such statements.

Following are URLs where you can obtain information on other Texas Instruments products and application solutions:

| Products | | Applications | |
|--------------------|--------------------------------------------------------------------|---------------------|--------------------------------------------------------------------------|
| Amplifiers | amplifier.ti.com | Audio | www.ti.com/audio |
| Data Converters | dataconverter.ti.com | Automotive | www.ti.com/automotive |
| DSP | dsp.ti.com | Broadband | www.ti.com/broadband |
| Interface | interface.ti.com | Digital Control | www.ti.com/digitalcontrol |
| Logic | logic.ti.com | Military | www.ti.com/military |
| Power Mgmt | power.ti.com | Optical Networking | www.ti.com/opticalnetwork |
| Microcontrollers | microcontroller.ti.com | Security | www.ti.com/security |
| Low Power Wireless | www.ti.com/lpw | Telephony | www.ti.com/telephony |
| | | Video & Imaging | www.ti.com/video |
| | | Wireless | www.ti.com/wireless |

Mailing Address: Texas Instruments
Post Office Box 655303 Dallas, Texas 75265