

## 74LVTH125

### Low Voltage Quad Buffer with 3-STATE Outputs

#### General Description

The LVTH125 contains four independent non-inverting buffers with 3-STATE outputs.

These buffers are designed for low-voltage (3.3V)  $V_{CC}$  applications, but with the capability to provide a TTL interface to a 5V environment. The LVTH125 is fabricated with an advanced BiCMOS technology to achieve high speed operation similar to 5V ABT while maintaining a low power dissipation.

#### Features

- Input and output interface capability to systems at 5V  $V_{CC}$
- Bushold data inputs eliminate the need for external pull-up resistors to hold unused inputs
- Live insertion/extraction permitted
- Power Up/Down high impedance provides glitch-free bus loading
- Outputs source/sink -32 mA/+64 mA
- Functionally compatible with the 74 series 125
- Latch-up performance exceeds 500 mA
- ESD performance:
  - Human-body model > 2000V
  - Machine model > 200V
  - Charged-device model > 1000V

#### Ordering Code:

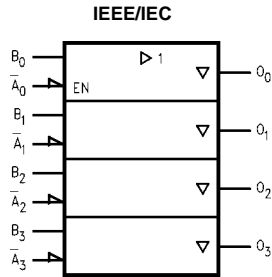
| Order Number              | Package Number | Package Description   |
|---------------------------|----------------|---|
| 74LVTH125M                | M14A           | 14-Lead Small Outline Integrated Circuit (SOIC), JEDEC MS-012, 0.150" Narrow        |
| 74LVTH125SJ               | M14D           | Pb-Free 14-Lead Small Outline Package (SOP), EIAJ TYPE II, 5.3mm Wide               |
| 74LVTH125MTC              | MTC14          | 14-Lead Thin Shrink Small Outline Package (TSSOP), JEDEC MO-153, 4.4mm Wide         |
| 74LVTH125MTCX_NL (Note 1) | MTC14          | Pb-Free 14-Lead Thin Shrink Small Outline Package (TSSOP), JEDEC MO-153, 4.4mm Wide |

Device also available in Tape and Reel. Specify by appending suffix letter "X" to the ordering code.  
Pb-Free package per JEDEC J-STD-020B.

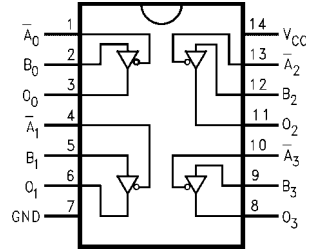
**Note 1:** "\_NL" indicates Pb-Free package (per JEDEC J-STD-020B). Device available in Tape and Reel only.

74LVTH125 Low Voltage Quad Buffer with 3-STATE Outputs

**Logic Symbol**



**Connection Diagram**



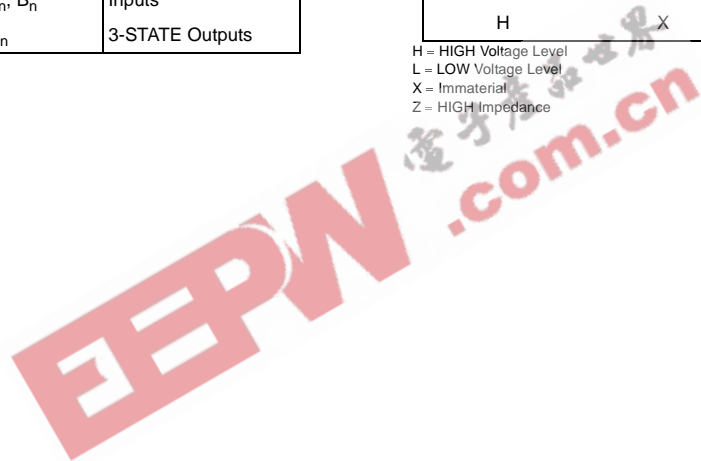
**Pin Descriptions**

| Pin Names        | Description     |
|------------------|-----------------|
| $\bar{A}_n, B_n$ | Inputs          |
| $O_n$            | 3-STATE Outputs |

**Truth Table**

| Inputs      |       | Output |
|-------------|-------|--------|
| $\bar{A}_n$ | $B_n$ | $O_n$  |
| L           | L     | L      |
| L           | H     | H      |
| H           | X     | Z      |

H = HIGH Voltage Level  
 L = LOW Voltage Level  
 X = Immaterial  
 Z = HIGH Impedance



| Absolute Maximum Ratings (Note 2)  |   |              |                                      |             |
|--|---|--------------|--------------------------------------|-------------|
| Symbol   | Parameter   | Value        | Conditions                           | Units       |
| $V_{CC}$   | Supply Voltage  | -0.5 to +4.6 |                                      | V           |
| $V_I$  | DC Input Voltage  | -0.5 to +7.0 |                                      | V           |
| $V_O$  | DC Output Voltage   | -0.5 to +7.0 | Output in 3-STATE                    | V           |
|  |   | -0.5 to +7.0 | Output in HIGH or LOW State (Note 3) |             |
| $I_{IK}$   | DC Input Diode Current                                    | -50          | $V_I < GND$                          | mA          |
| $I_{OK}$   | DC Output Diode Current                                   | -50          | $V_O < GND$                          | mA          |
| $I_O$  | DC Output Current   | 64           | $V_O > V_{CC}$ Output at HIGH State  | mA          |
|  |   | 128          | $V_O > V_{CC}$ Output at LOW State   |             |
| $I_{CC}$   | DC Supply Current per Supply Pin                          | $\pm 64$     |                                      | mA          |
| $I_{GND}$  | DC Ground Current per Ground Pin                          | $\pm 128$    |                                      | mA          |
| $T_{STG}$  | Storage Temperature                                       | -65 to +150  |                                      | $^{\circ}C$ |
| Recommended Operating Conditions   |   |              |                                      |             |
| Symbol   | Parameter   | Min          | Max                                  | Units       |
| $V_{CC}$   | Supply Voltage  | 2.7          | 3.6                                  | V           |
| $V_I$  | Input Voltage   | 0            | 5.5                                  | V           |
| $I_{OH}$   | HIGH Level Output Current                                 |              | -32                                  | mA          |
| $I_{OL}$   | LOW Level Output Current                                  |              | 64                                   | mA          |
| $T_A$  | Free-Air Operating Temperature                            | -40          | 85                                   | $^{\circ}C$ |
| $\Delta t/\Delta V$  | Input Edge Rate, $V_{IN} = 0.8V - 2.0V$ , $V_{CC} = 3.0V$ | 0            | 10                                   | ns/V        |
| <p><b>Note 2:</b> Absolute Maximum continuous ratings are those values beyond which damage to the device may occur. Exposure to these conditions or conditions beyond those indicated may adversely affect device reliability. Functional operation under absolute maximum rated conditions is not implied.</p> <p><b>Note 3:</b> <math>I_O</math> Absolute Maximum Rating must be observed.</p> |   |              |                                      |             |

| DC Electrical Characteristics |   |                        |                                 |                 |      |       |   |
|-------------------------------|---|------------------------|---------------------------------|-----------------|------|-------|---|
| Symbol                        | Parameter   | V <sub>CC</sub><br>(V) | T <sub>A</sub> = -40°C to +85°C |                 |      | Units | Conditions  |
|                               |   |                        | Min                             | Typ<br>(Note 4) | Max  |       |   |
| V <sub>IK</sub>               | Input Clamp Diode Voltage                           | 2.7                    |                                 |                 | -1.2 | V     | I <sub>I</sub> = -18 mA   |
| V <sub>IH</sub>               | Input HIGH Voltage                                  | 2.7-3.6                | 2.0                             |                 |      | V     | V <sub>O</sub> ≤ 0.1V or  |
| V <sub>IL</sub>               | Input LOW Voltage                                   | 2.7-3.6                |                                 |                 | 0.8  | V     | V <sub>O</sub> ≥ V <sub>CC</sub> - 0.1V                                       |
| V <sub>OH</sub>               | Output HIGH Voltage                                 | 2.7-3.6                | V <sub>CC</sub> - 0.2           |                 |      | V     | I <sub>OH</sub> = -100 μA   |
|                               |   | 2.7                    | 2.4                             |                 |      |       | I <sub>OH</sub> = -8 mA   |
|                               |   | 3.0                    | 2.0                             |                 |      |       | I <sub>OH</sub> = -32 mA  |
| V <sub>OL</sub>               | Output LOW Voltage                                  | 2.7                    |                                 |                 | 0.2  | V     | I <sub>OL</sub> = 100 μA  |
|                               |   | 2.7                    |                                 |                 | 0.5  |       | I <sub>OL</sub> = 24 mA   |
|                               |   | 3.0                    |                                 |                 | 0.4  |       | I <sub>OL</sub> = 16 mA   |
|                               |   | 3.0                    |                                 |                 | 0.5  |       | I <sub>OL</sub> = 32 mA   |
|                               |   | 3.0                    |                                 |                 | 0.55 |       | I <sub>OL</sub> = 64 mA   |
| I <sub>I(HOLD)</sub>          | Bushold Input Minimum Drive                         | 3.0                    | 75                              |                 |      | μA    | V <sub>I</sub> = 0.8V   |
|                               |   |                        | -75                             |                 |      |       | V <sub>I</sub> = 2.0V   |
| I <sub>I(OD)</sub>            | Bushold Input Over-Drive<br>Current to Change State | 3.0                    | 500                             |                 |      | μA    | (Note 5)  |
|                               |   |                        | -500                            |                 |      |       | (Note 6)  |
| I <sub>I</sub>                | Input Current                                       | 3.6                    |                                 |                 | 10   | μA    | V <sub>I</sub> = 5.5V   |
|                               |   | Control Pins           | 3.6                             |                 | ±1   |       | V <sub>I</sub> = 0V or V <sub>CC</sub>  |
|                               |   | Data Pins              | 3.6                             |                 | -5   |       | V <sub>I</sub> = 0V   |
|                               |   |                        |                                 |                 | 1    |       | V <sub>I</sub> = V <sub>CC</sub>  |
| I <sub>OFF</sub>              | Power Off Leakage Current                           | 0                      |                                 |                 | ±100 | μA    | 0V ≤ V <sub>I</sub> or V <sub>O</sub> ≤ 5.5V                                  |
| I <sub>PU/PD</sub>            | Power up/down 3-STATE<br>Output Current             | 0-1.5V                 |                                 |                 | ±100 | μA    | V <sub>O</sub> = 0.5V to 3.0V<br>V <sub>I</sub> = GND or V <sub>CC</sub>      |
| I <sub>OZL</sub>              | 3-STATE Output Leakage Current                      | 3.6                    |                                 |                 | -5   | μA    | V <sub>O</sub> = 0.5V   |
| I <sub>OZH</sub>              | 3-STATE Output Leakage Current                      | 3.6                    |                                 |                 | 5    | μA    | V <sub>O</sub> = 3.0V   |
| I <sub>OZH+</sub>             | 3-STATE Output Leakage Current                      | 3.6                    |                                 |                 | 10   | μA    | V <sub>CC</sub> < V <sub>O</sub> ≤ 5.5V                                       |
| I <sub>CCH</sub>              | Power Supply Current                                | 3.6                    |                                 |                 | 0.19 | mA    | Outputs HIGH  |
| I <sub>CCL</sub>              | Power Supply Current                                | 3.6                    |                                 |                 | 5    | mA    | Outputs LOW   |
| I <sub>CCZ</sub>              | Power Supply Current                                | 3.6                    |                                 |                 | 0.19 | mA    | Outputs Disabled  |
| I <sub>CCZ+</sub>             | Power Supply Current                                | 3.6                    |                                 |                 | 0.19 | mA    | V <sub>CC</sub> ≤ V <sub>O</sub> ≤ 5.5V<br>Outputs Disabled                   |
| ΔI <sub>CC</sub>              | Increase in Power Supply Current<br>(Note 7)        | 3.6                    |                                 |                 | 0.2  | mA    | One Input at V <sub>CC</sub> - 0.6V<br>Other Inputs at V <sub>CC</sub> or GND |

**Note 4:** All typical values are at V<sub>CC</sub> = 3.3V, T<sub>A</sub> = 25°C.

**Note 5:** An external driver must source at least the specified current to switch from LOW-to-HIGH.

**Note 6:** An external driver must sink at least the specified current to switch from HIGH-to-LOW.

**Note 7:** This is the increase in supply current for each input that is at the specified voltage level rather than V<sub>CC</sub> or GND.

### Dynamic Switching Characteristics (Note 8)

| Symbol           | Parameter                                    | V <sub>CC</sub><br>(V) | T <sub>A</sub> = 25°C |      |     | Units | Conditions<br>C <sub>L</sub> = 50 pF, R <sub>L</sub> = 500Ω |
|------------------|--|------------------------|-----------------------|------|-----|-------|---|
|                  |  |                        | Min                   | Typ  | Max |       |   |
| V <sub>OLP</sub> | Quiet Output Maximum Dynamic V <sub>OL</sub> | 3.3                    |                       | 0.8  |     | V     | (Note 9)  |
| V <sub>OLV</sub> | Quiet Output Minimum Dynamic V <sub>OL</sub> | 3.3                    |                       | -0.8 |     | V     | (Note 9)  |

**Note 8:** Characterized in SOIC package. Guaranteed parameter, but not tested.

**Note 9:** Max number of outputs defined as (n). n-1 data inputs are driven 0V to 3V. Output under test held LOW.

| AC Electrical Characteristics |                                    |  |                  |     |                        |     |       |
|-------------------------------|------------------------------------|--|------------------|-----|------------------------|-----|-------|
| Symbol                        | Parameter                          | T <sub>A</sub> = -40°C to +85°C<br>C <sub>L</sub> = 50 pF, R <sub>L</sub> = 500Ω |                  |     |                        |     | Units |
|                               |                                    | V <sub>CC</sub> = 3.3V ± 0.3V  |                  |     | V <sub>CC</sub> = 2.7V |     |       |
|                               |                                    | Min  | Typ<br>(Note 10) | Max | Min                    | Max |       |
| t <sub>PLH</sub>              | Propagation Delay Data to Output   | 1.0  |                  | 3.5 | 1.0                    | 4.5 | ns    |
| t <sub>PHL</sub>              |                                    | 1.0  |                  | 3.9 | 1.0                    | 4.9 |       |
| t <sub>PZH</sub>              | Output Enable Time                 | 1.0  |                  | 4.0 | 1.0                    | 5.5 | ns    |
| t <sub>PZL</sub>              |                                    | 1.1  |                  | 4.0 | 1.1                    | 5.4 |       |
| t <sub>PHZ</sub>              | Output Disable Time                | 1.5  |                  | 4.5 | 1.5                    | 5.7 | ns    |
| t <sub>PLZ</sub>              |                                    | 1.3  |                  | 4.5 | 1.3                    | 4.0 |       |
| t <sub>OSSL</sub>             | Output to Output Skew<br>(Note 11) |  |                  | 1.0 |                        | 1.0 | ns    |
| t <sub>OSLH</sub>             |                                    |  |                  |     |                        |     |       |

**Note 10:** All typical values are at V<sub>CC</sub> = 3.3V, T<sub>A</sub> = 25°C.

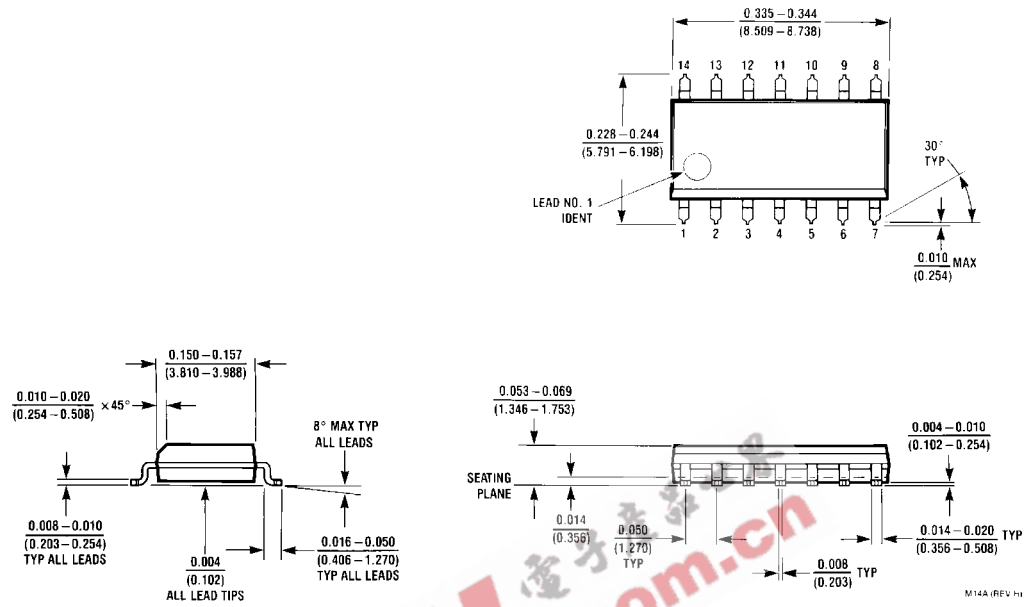
**Note 11:** Skew is defined as the absolute value of the difference between the actual propagation delay for any two separate outputs of the same device. The specification applies to any outputs switching in the same direction, either HIGH-to-LOW (t<sub>OSSL</sub>) or LOW-to-HIGH (t<sub>OSLH</sub>).

**Capacitance** (Note 12)

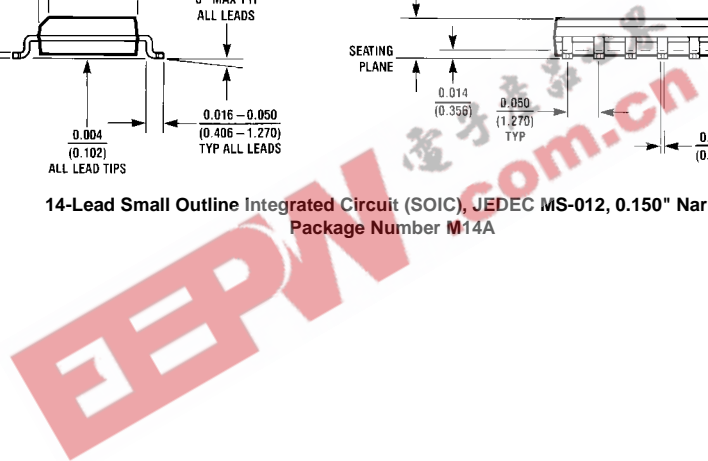
| Symbol           | Parameter          | Conditions   | Typical | Units |
|------------------|--------------------|--|---------|-------|
| C <sub>IN</sub>  | Input Capacitance  | V <sub>CC</sub> = 0V, V <sub>I</sub> = 0V or V <sub>CC</sub>   | 4       | pF    |
| C <sub>OUT</sub> | Output Capacitance | V <sub>CC</sub> = 3.0V, V <sub>O</sub> = 0V or V <sub>CC</sub> | 8       | pF    |

**Note 12:** Capacitance is measured at frequency f = 1 MHz, per MIL-STD-883B, Method 3012.

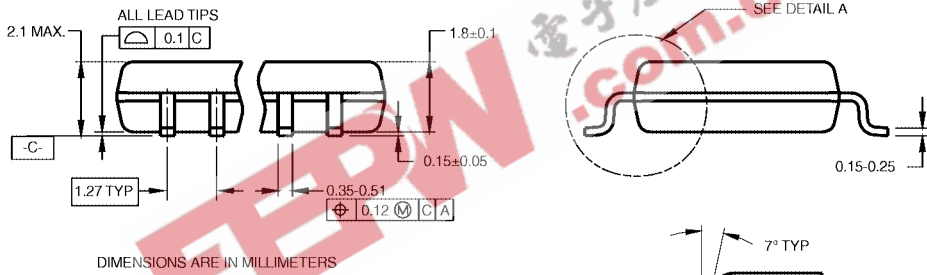
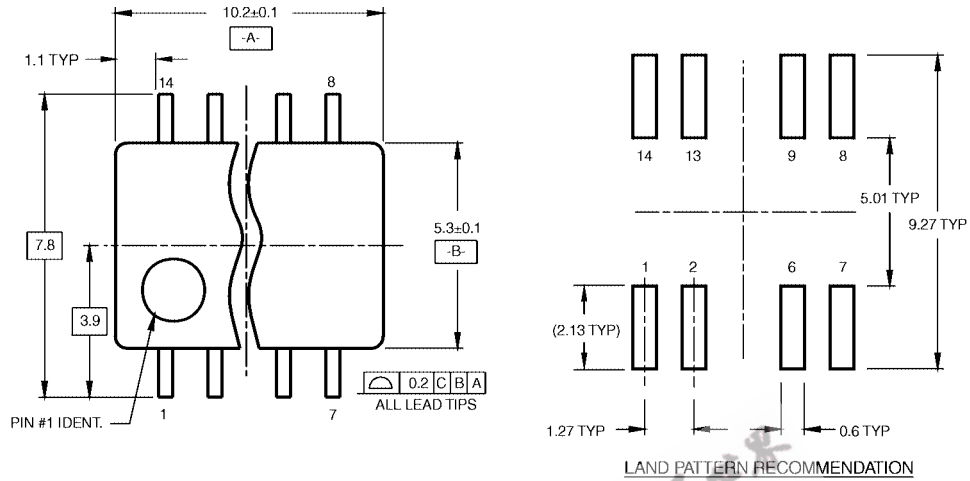
**Physical Dimensions** inches (millimeters) unless otherwise noted



14-Lead Small Outline Integrated Circuit (SOIC), JEDEC MS-012, 0.150" Narrow  
Package Number M14A



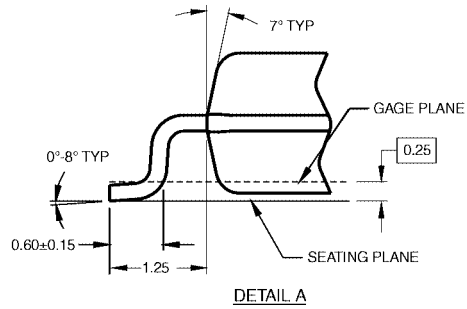
**Physical Dimensions** inches (millimeters) unless otherwise noted (Continued)



DIMENSIONS ARE IN MILLIMETERS

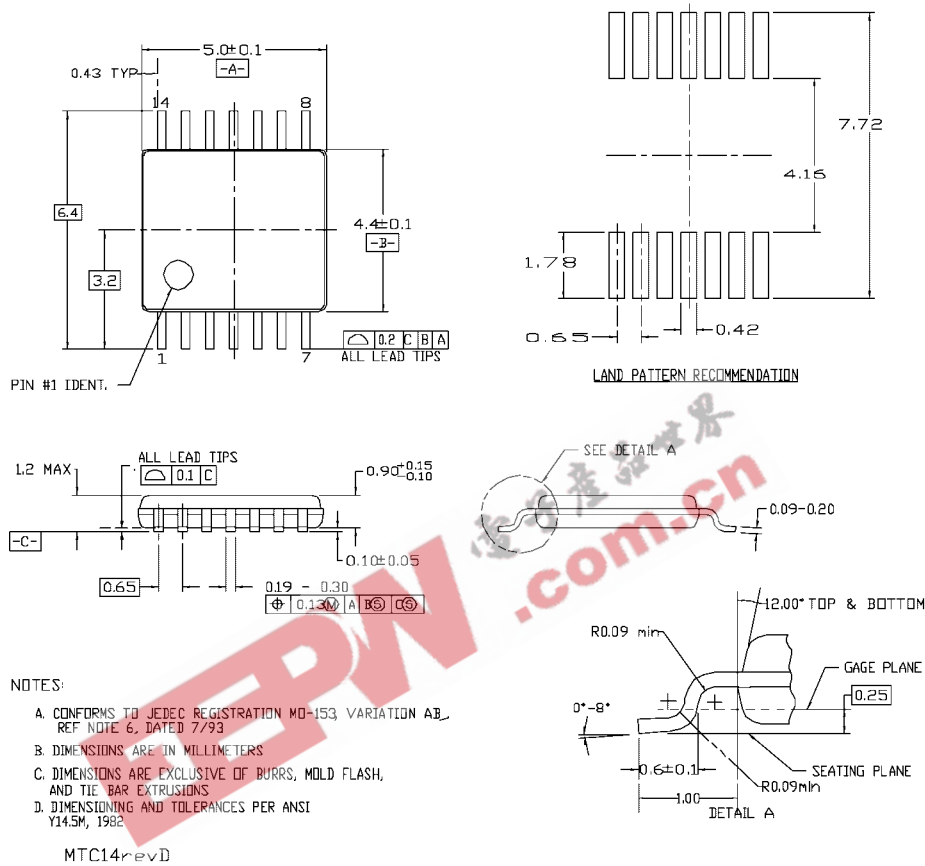
- NOTES:  
 A. CONFORMS TO EIAJ EDR-7320 REGISTRATION, ESTABLISHED IN DECEMBER, 1998.  
 B. DIMENSIONS ARE IN MILLIMETERS.  
 C. DIMENSIONS ARE EXCLUSIVE OF BURRS, MOLD FLASH, AND TIE BAR EXTRUSIONS.

M14DRevB1



**Pb-Free 14-Lead Small Outline Package (SOP), EIAJ TYPE II, 5.3mm Wide Package Number M14D**

**Physical Dimensions** inches (millimeters) unless otherwise noted (Continued)



**14-Lead Thin Shrink Small Outline Package (TSSOP), JEDEC MO-153, 4.4mm Wide Package Number MTC14**

Fairchild does not assume any responsibility for use of any circuitry described, no circuit patent licenses are implied and Fairchild reserves the right at any time without notice to change said circuitry and specifications.

**LIFE SUPPORT POLICY**

FAIRCHILD'S PRODUCTS ARE NOT AUTHORIZED FOR USE AS CRITICAL COMPONENTS IN LIFE SUPPORT DEVICES OR SYSTEMS WITHOUT THE EXPRESS WRITTEN APPROVAL OF THE PRESIDENT OF FAIRCHILD SEMICONDUCTOR CORPORATION. As used herein:

- Life support devices or systems are devices or systems which, (a) are intended for surgical implant into the body, or (b) support or sustain life, and (c) whose failure to perform when properly used in accordance with instructions for use provided in the labeling, can be reasonably expected to result in a significant injury to the user.
- A critical component in any component of a life support device or system whose failure to perform can be reasonably expected to cause the failure of the life support device or system, or to affect its safety or effectiveness.

[www.fairchildsemi.com](http://www.fairchildsemi.com)