

# DATA SHEET

**74ABT16652**

**74ABTH16652**

16-bit transceiver/register, non-inverting  
(3-State)

Product specification  
Supersedes data of 1995 Aug 17  
IC23 Data Handbook

1998 Feb 27

# 16-bit transceiver/register, non-inverting (3-State)

## 74ABT16652 74ABTH16652

### FEATURES

- Independent registers for A and B buses
- Multiple  $V_{CC}$  and GND pins minimize switching noise
- Power-up 3-State
- 74ABTH16652 incorporates bus-hold data inputs which eliminate the need for external pull-up resistors to hold unused inputs
- Power-up reset
- Live insertion/extraction permitted
- Multiplexed real-time and stored data
- Output capability: +64mA/-32mA
- Latch-up protection exceeds 500mA per JEDEC Std 17
- ESD protection exceeds 2000V per MIL STD 883 Method 3015 and 200V per Machine Model

### DESCRIPTION

The 74ABT16652 high-performance BiCMOS device combines low static and dynamic power dissipation with high speed and high output drive.

The 74ABT16652 transceiver/register consists of two sets of bus transceiver circuits with 3-State outputs, D-type flip-flops, and control circuitry arranged for multiplexed transmission of data directly from the input bus or the internal registers. Data on the A or B bus will be clocked into the registers as the appropriate clock pin goes HIGH. Output Enable ( $nOEAB$ ,  $nOEBA$ ) and Select ( $nSAB$ ,  $nSBA$ ) pins are provided for bus management.

Two options are available, 74ABT16652 which does not have the bus-hold feature and 74ABTH16652 which incorporates the bus-hold feature.

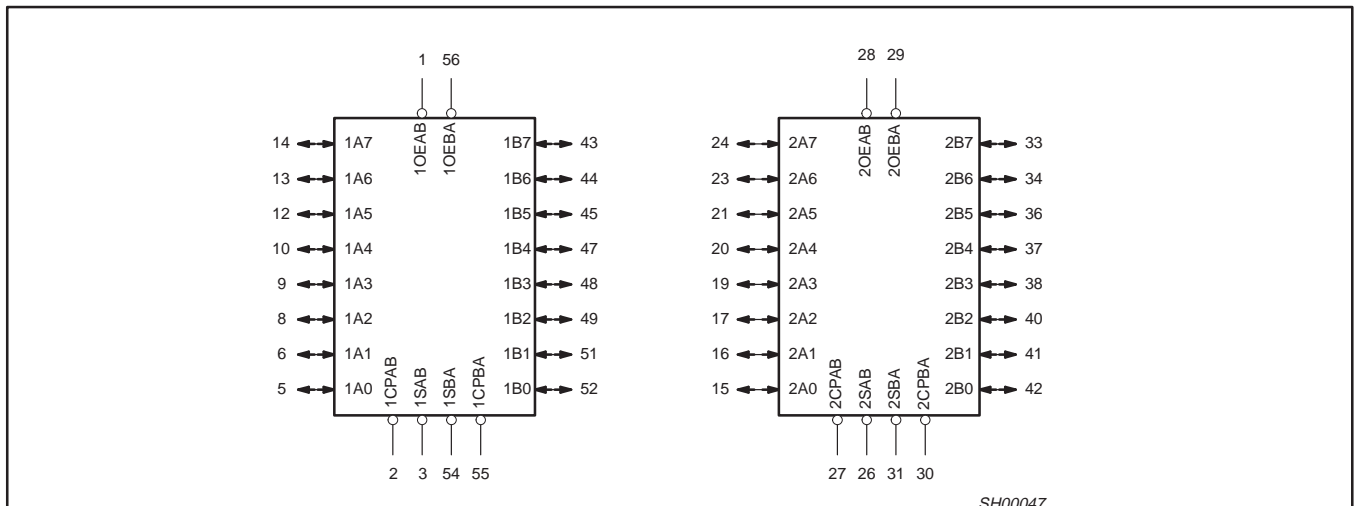
### QUICK REFERENCE DATA

SYMBOL	PARAMETER	CONDITIONS $T_{amb} = 25^{\circ}C; GND = 0V$	TYPICAL	UNIT
$t_{PLH}$ $t_{PHL}$	Propagation delay $nAx$ to $nBx$	$C_L = 50pF; V_{CC} = 5V$	2.3 1.8	ns
$C_{IN}$	Input capacitance	$V_I = 0V$ or $V_{CC}$	4	pF
$C_{I/O}$	I/O capacitance	$V_O = 0V$ or $V_{CC}$ ; 3-State	7	pF
$I_{CCZ}$	Quiescent supply current	Outputs disabled; $V_{CC} = 5.5V$	500	$\mu A$
$I_{CCL}$		Outputs low; $V_{CC} = 5.5V$	8	mA

### ORDERING INFORMATION

PACKAGES	TEMPERATURE RANGE	OUTSIDE NORTH AMERICA	NORTH AMERICA	DWG NUMBER
56-Pin Plastic SSOP Type III	-40°C to +85°C	74ABT16652 DL	BT16652 DL	SOT371-1
56-Pin Plastic TSSOP Type II	-40°C to +85°C	74ABT16652 DGG	BT16652 DGG	SOT364-1
56-Pin Plastic SSOP Type III	-40°C to +85°C	74ABTH16652 DL	BH16652 DL	SOT371-1
56-Pin Plastic TSSOP Type II	-40°C to +85°C	74ABTH16652 DGG	BH16652 DGG	SOT364-1

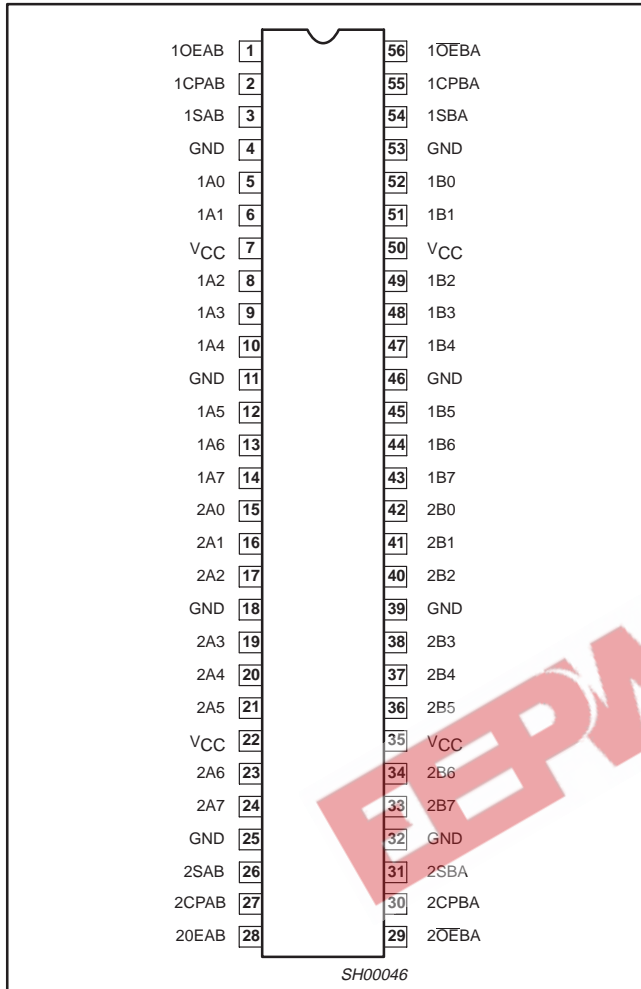
### LOGIC SYMBOL



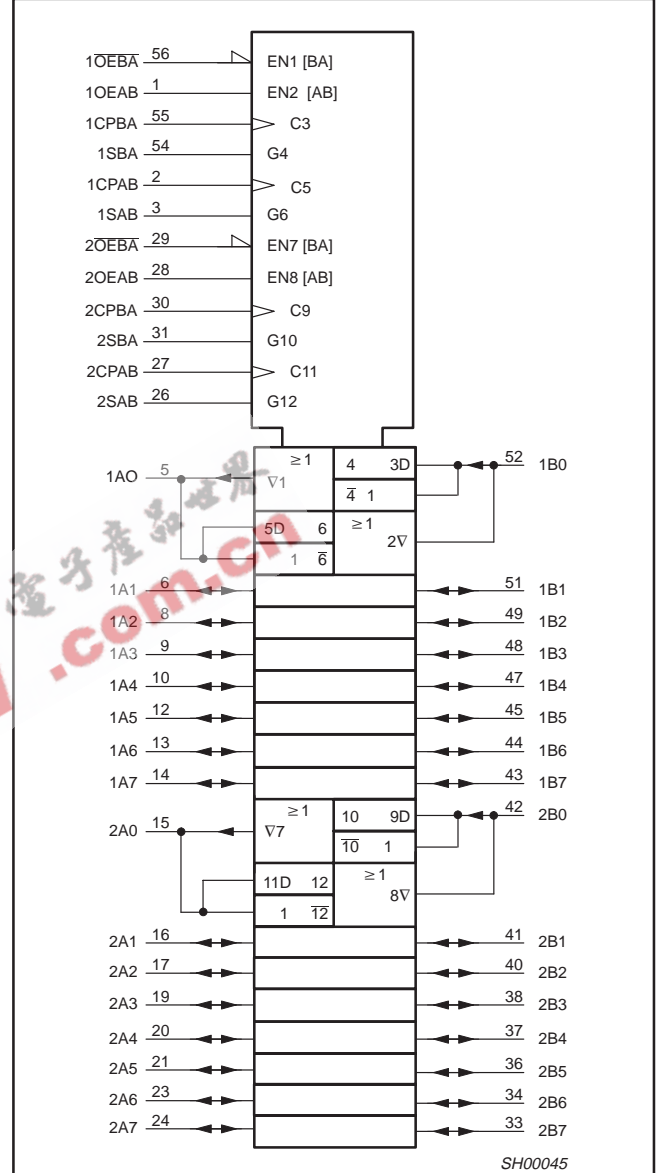
# 16-bit transceiver/register, non-inverting (3-State)

74ABT16652  
74ABTH16652

## PIN CONFIGURATION



## LOGIC SYMBOL (IEEE/IEC)



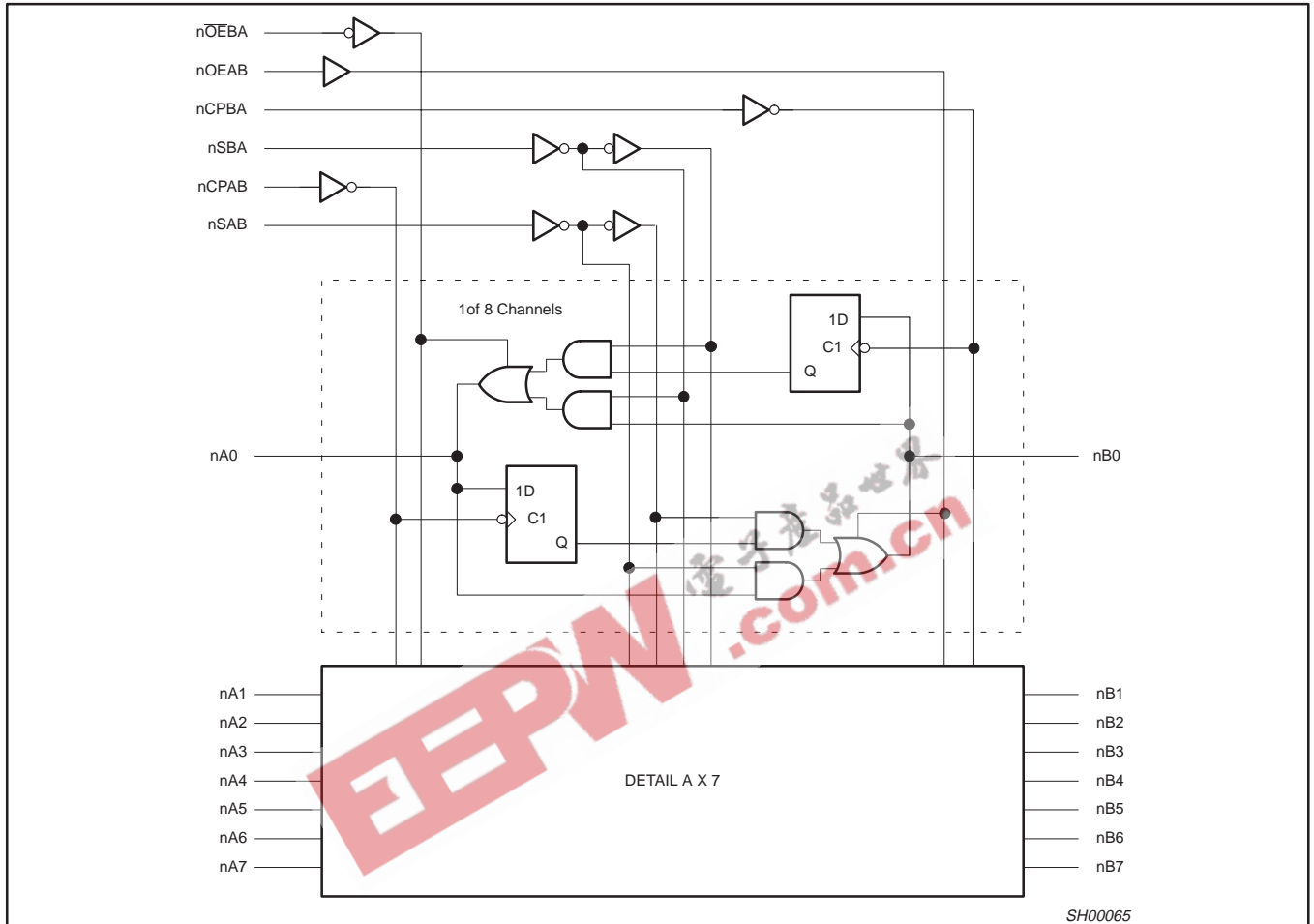
## PIN DESCRIPTION

PIN NUMBER	SYMBOL	NAME AND FUNCTION
2, 55, 27, 30	1CPAB, 1CPBA, 2CPAB, 2CPBA	Clock input A to B / Clock input B to A
3, 54, 26, 31	1SAB, 1SBA, 2SAB, 2SBA	Select input A to B / Select input B to A
5, 6, 8, 9, 10, 12, 13, 14 15, 16, 17, 19, 20, 21, 23, 24	1A0 – 1A7, 2A0 – 2A7	Data inputs/outputs (A side)
52, 51, 49, 48, 47, 45, 44, 43 42, 41, 40, 38, 37, 36, 34, 33	1B0 – 1B7, 2B0 – 2B7	Data inputs/outputs (B side)
1, 56, 28, 29	1OEAB, 1OEBA, 2OEAB, 2OEBA	Output enable inputs
4, 11, 18, 25, 32, 39, 46, 53	GND	Ground (0V)
7, 22, 35, 50	V <sub>CC</sub>	Positive supply voltage

16-bit transceiver/register, non-inverting (3-State)

74ABT16652  
74ABTH16652

LOGIC DIAGRAM



SH00065

FUNCTION TABLE

INPUTS						DATA I/O		OPERATING MODE
nOEAB	nOEBA	nCPAB	nCPBA	nSAB	nSBA	nAx	nBx	
L	H	H or L	H or L	X	X	Input	Input	Isolation Store A and B data
L	H	↑	↑	X	X	Input	Input	Store A, Hold B Store A in both registers
X	H	↑	H or L	X	X	Input	Unspecified output*	Store A, Hold B Store A in both registers
H	H	↑	↑	**	X	Input	Unspecified output*	Store A, Hold B Store A in both registers
L	X	H or L	↑	X	X	Unspecified output*	Input	Hold A, Store B Store B in both registers
L	L	X	X	X	L	Output	Input	Real time B data to A bus Stored B data to A bus
L	L	X	H or L	X	H	Output	Input	Real time B data to A bus Stored B data to A bus
H	H	X	X	L	X	Input	Output	Real time A data to B bus Store A data to B bus
H	H	H or L	X	H	X	Input	Output	Real time A data to B bus Store A data to B bus
H	L	H or L	H or L	H	H	Output	Output	Stored A data to B bus Stored B data to A bus

H = High voltage level

L = Low voltage level

X = Don't care

↑ = Low-to-High clock transition

\* The data output function may be enabled or disabled by various signals at the nOEBA and nOEAB inputs. Data input functions are always enabled, i.e., data at the bus pins will be stored on every Low-to-High transition of the clock.

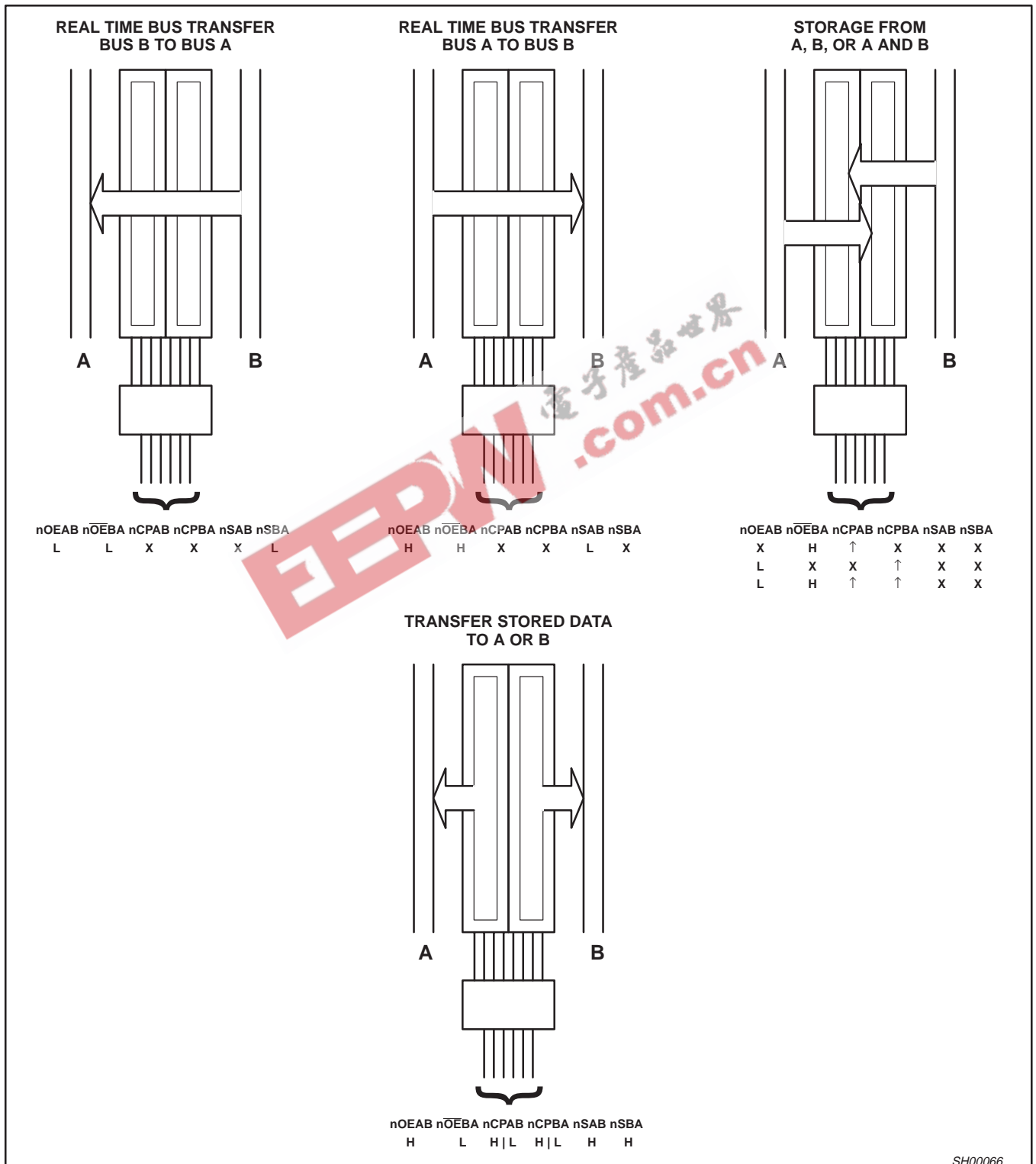
\*\* If both Select controls (nSAB and nSBA) are Low, then clocks can occur simultaneously. If either Select control is High, the clocks must be staggered in order to load both registers.

# 16-bit transceiver/register, non-inverting (3-State)

74ABT16652  
74ABTH16652

The following examples demonstrate the four fundamental bus-management functions that can be performed with the 74ABT16652. The select pins determine whether data is stored or

transferred through the device in real time. The output enable pins determine the direction of the data flow.



SH00066

## 16-bit transceiver/register, non-inverting (3-State)

74ABT16652  
74ABTH16652**ABSOLUTE MAXIMUM RATINGS<sup>1, 2</sup>**

SYMBOL	PARAMETER	CONDITIONS	RATING	UNIT
$V_{CC}$	DC supply voltage		-0.5 to +7.0	V
$I_{IK}$	DC input diode current	$V_I < 0$	-18	mA
$V_I$	DC input voltage <sup>3</sup>		-1.2 to +7.0	V
$I_{OK}$	DC output diode current	$V_O < 0$	-50	mA
$V_{OUT}$	DC output voltage <sup>3</sup>	output in Off or HIGH state	-0.5 to +5.5	V
$I_{OUT}$	DC output current	output in LOW state	128	mA
		output in HIGH state	-64	
$T_{stg}$	Storage temperature range		-65 to 150	°C

**NOTES:**

- Stresses beyond those listed may cause permanent damage to the device. These are stress ratings only and functional operation of the device at these or any other conditions beyond those indicated under "recommended operating conditions" is not implied. Exposure to absolute-maximum-rated conditions for extended periods may affect device reliability.
- The performance capability of a high-performance integrated circuit in conjunction with its thermal environment can create junction temperatures which are detrimental to reliability. The maximum junction temperature of this integrated circuit should not exceed 150°C.
- The input and output voltage ratings may be exceeded if the input and output current ratings are observed.

**RECOMMENDED OPERATING CONDITIONS**

SYMBOL	PARAMETER	LIMITS		UNIT
		MIN	MAX	
$V_{CC}$	DC supply voltage	4.5	5.5	V
$V_I$	Input voltage	0	$V_{CC}$	V
$V_{IH}$	High-level input voltage	2.0		V
$V_{IL}$	Low-level Input voltage		0.8	V
$I_{OH}$	High-level output current		-32	mA
$I_{OL}$	Low-level output current		64	mA
$\Delta t/\Delta v$	Input transition rise or fall rate	0	10	ns/V
$T_{amb}$	Operating free-air temperature range	-40	+85	°C

## 16-bit transceiver/register, non-inverting (3-State)

74ABT16652  
74ABTH16652

## DC ELECTRICAL CHARACTERISTICS

SYMBOL	PARAMETER	TEST CONDITIONS	LIMITS					UNIT	
			T <sub>amb</sub> = +25°C			T <sub>amb</sub> = -40°C to +85°C			
			MIN	TYP	MAX	MIN	MAX		
V <sub>IK</sub>	Input clamp voltage	V <sub>CC</sub> = 4.5V; I <sub>IK</sub> = -18mA		-0.9	-1.2		-1.2	V	
V <sub>OH</sub>	High-level output voltage	V <sub>CC</sub> = 4.5V; I <sub>OH</sub> = -3mA; V <sub>I</sub> = V <sub>IL</sub> or V <sub>IH</sub>	2.5	2.9		2.5		V	
		V <sub>CC</sub> = 5.0V; I <sub>OH</sub> = -3mA; V <sub>I</sub> = V <sub>IL</sub> or V <sub>IH</sub>	3.0	4.0		3.0		V	
		V <sub>CC</sub> = 4.5V; I <sub>OH</sub> = -32mA; V <sub>I</sub> = V <sub>IL</sub> or V <sub>IH</sub>	2.0	2.4		2.0		V	
V <sub>OL</sub>	Low-level output voltage	V <sub>CC</sub> = 4.5V; I <sub>OL</sub> = 64mA; V <sub>I</sub> = V <sub>IL</sub> or V <sub>IH</sub>		0.35	0.55		0.55	V	
V <sub>RST</sub>	Power-up output low voltage <sup>3</sup>	V <sub>CC</sub> = 5.5V; I <sub>OL</sub> = 1mA; V <sub>I</sub> = GND or V <sub>CC</sub>		0.13	0.55		0.55	V	
I <sub>I</sub>	Input leakage current	V <sub>CC</sub> = 5.5V; V <sub>I</sub> = GND or V <sub>CC</sub>	Control pins	±0.01	±1.0		±1.0	µA	
I <sub>HOLD</sub>	Bus Hold current A or B Ports <sup>5</sup> 74ABTH16652	V <sub>CC</sub> = 4.5V; V <sub>I</sub> = 0.8V	35			35		µA	
		V <sub>CC</sub> = 4.5V; V <sub>I</sub> = 2.0V	-75			-75			
		V <sub>CC</sub> = 5.5V; V <sub>I</sub> = 0 to 5.5V	±800						
I <sub>OFF</sub>	Power-off leakage current	V <sub>CC</sub> = 0V; V <sub>O</sub> = 4.5V; V <sub>I</sub> = 0V or 5.5V		±1.0	±100		±100	µA	
I <sub>PU/PD</sub>	Power-up/down 3-State output current <sup>4</sup>	V <sub>CC</sub> = 2.1V; V <sub>O</sub> = 0.0V; V <sub>I</sub> = GND or V <sub>CC</sub>		±1.0	±50		±50	µA	
I <sub>IH</sub> + I <sub>OZH</sub>	3-State output High current	V <sub>CC</sub> = 5.5V; V <sub>O</sub> = 5.5V; V <sub>I</sub> = V <sub>IL</sub> or V <sub>IH</sub>		1.0	10		10	µA	
I <sub>IL</sub> + I <sub>OZL</sub>	3-State output Low current	V <sub>CC</sub> = 5.5V; V <sub>O</sub> = 0.0V; V <sub>I</sub> = V <sub>IL</sub> or V <sub>IH</sub>		-1.0	-10		-10	µA	
I <sub>CEX</sub>	Output High leakage current	V <sub>CC</sub> = 5.5V; V <sub>O</sub> = 5.5V; V <sub>I</sub> = GND or V <sub>CC</sub>		5.0	50		50	µA	
I <sub>O</sub>	Output current <sup>1</sup>	V <sub>CC</sub> = 5.5V; V <sub>O</sub> = 2.5V		-50	-80	-180	-50	-180	mA
I <sub>CCH</sub>	Quiescent supply current	V <sub>CC</sub> = 5.5V; Outputs High, V <sub>I</sub> = GND or V <sub>CC</sub>		0.5	2		2	mA	
I <sub>CCL</sub>		V <sub>CC</sub> = 5.5V; Outputs Low, V <sub>I</sub> = GND or V <sub>CC</sub>		8	19		19	mA	
I <sub>CCZ</sub>		V <sub>CC</sub> = 5.5V; Outputs 3-State; V <sub>I</sub> = GND or V <sub>CC</sub>		0.5	2		2	mA	
ΔI <sub>CC</sub>	Additional supply current per input pin <sup>2</sup> 74ABT16652	V <sub>CC</sub> = 5.5V; one input at 3.4V, other inputs at V <sub>CC</sub> or GND		5.0	50		50	µA	
ΔI <sub>CC</sub>	Additional supply current per input pin <sup>2</sup> 74ABTH16652	V <sub>CC</sub> = 5.5V; one input at 3.4V, other inputs at V <sub>CC</sub> or GND		200	500		500	µA	

## NOTES:

- Not more than one output should be tested at a time, and the duration of the test should not exceed one second.
- This is the increase in supply current for each input at 3.4V.
- For valid test results, data must not be loaded into the flip-flops (or latches) after applying the power.
- This parameter is valid for any V<sub>CC</sub> between 0 and 2.1V. When the part enables with V<sub>CC</sub> between 2.1V and 4.5V, the outputs will correctly function with respect to all input logic states.
- This is the bus hold overdrive current required to force the input to the opposite logic state.

## 16-bit transceiver/register, non-inverting (3-State)

74ABT16652  
74ABTH16652

## AC CHARACTERISTICS

GND = 0V,  $t_R = t_F = 2.5\text{ns}$ ,  $C_L = 50\text{pF}$ ,  $R_L = 500\Omega$ 

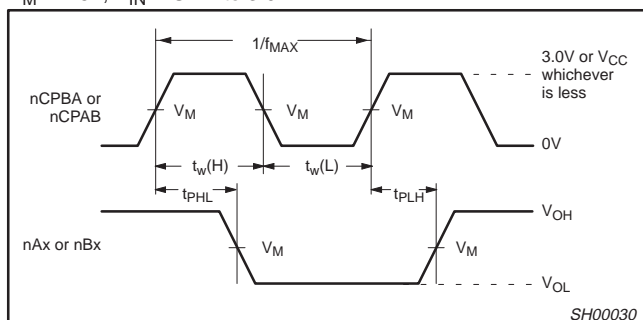
SYMBOL	PARAMETER	WAVEFORM	LIMITS					UNIT
			$T_{\text{amb}} = +25^\circ\text{C}$ $V_{\text{CC}} = +5.0\text{V}$			$T_{\text{amb}} = -40 \text{ to } +85^\circ\text{C}$ $V_{\text{CC}} = +5.0\text{V} \pm 0.5\text{V}$		
			MIN	TYP	MAX	MIN	MAX	
$f_{\text{MAX}}$	Maximum clock frequency	1	125			125		MHz
$t_{\text{PLH}}$ $t_{\text{PHL}}$	Propagation delay nCPAB to nBx or nCPBA to nAx	1	1.5 1.5	3.3 2.8	4.0 4.1	1.5 1.5	4.9 4.7	ns
$t_{\text{PLH}}$ $t_{\text{PHL}}$	Propagation delay nAx to nBx or nBx to nAx	2	1.0 1.0	2.3 1.8	3.2 4.1	1.0 1.0	3.9 4.6	ns
$t_{\text{PLH}}$ $t_{\text{PHL}}$	Propagation delay nSAB to nBx or nSBA to nAx	3	1.0 1.0	3.4 2.6	4.3 4.3	1.0 1.0	5.0 5.0	ns
$t_{\text{PZH}}$ $t_{\text{PZL}}$	Output enable time nOEBA to nAx	5 6	1.0 1.5	2.5 2.2	4.1 4.4	1.0 1.5	5.0 5.3	ns
$t_{\text{PHZ}}$ $t_{\text{PLZ}}$	Output disable time nOEBA to nAx	5 6	1.5 1.5	3.6 2.7	4.4 3.6	1.5 1.5	4.9 4.0	ns
$t_{\text{PZH}}$ $t_{\text{PZL}}$	Output enable time nOEAB to nBx	5 6	1.0 1.5	2.9 3.0	3.6 3.9	1.0 1.5	4.2 4.6	ns
$t_{\text{PHZ}}$ $t_{\text{PLZ}}$	Output disable time nOEAB to nBx	5 6	2.0 1.5	3.1 2.3	5.5 4.5	2.0 1.5	5.9 5.2	ns

## AC SETUP REQUIREMENTS

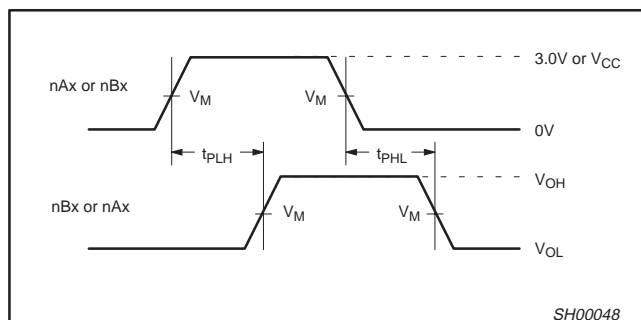
GND = 0V,  $t_R = t_F = 2.5\text{ns}$ ,  $C_L = 50\text{pF}$ ,  $R_L = 500\Omega$ 

SYMBOL	PARAMETER	WAVEFORM	LIMITS			UNIT
			$T_{\text{amb}} = +25^\circ\text{C}$ $V_{\text{CC}} = +5.0\text{V}$		$T_{\text{amb}} = -40 \text{ to } +85^\circ\text{C}$ $V_{\text{CC}} = +5.0\text{V} \pm 0.5\text{V}$	
			MIN	TYP	MIN	
$t_s(\text{H})$ $t_s(\text{L})$	Setup time nAx to nCPBA, nBx to nCPAB	4	3.0 3.0	1.2 0.8	3.0 3.0	ns
$t_h(\text{H})$ $t_h(\text{L})$	Hold time nAx to nCPBA, nBx to nCPAB	4	1.0 1.0	-0.7 -1.1	1.0 1.0	ns
$t_w(\text{H})$ $t_w(\text{L})$	Pulse width, High or Low nCPAB or nCPBA	1	4.3 4.3	1.0 1.0	4.3 4.3	ns

## AC WAVEFORMS

 $V_M = 1.5\text{V}$ ,  $V_{\text{IN}} = \text{GND to } 3.0\text{V}$ 

Waveform 1. Propagation Delay, Clock Input to Output, Clock Pulse Width, and Maximum Clock Frequency



Waveform 2. Propagation Delay, nAx to nBx or nBx to nAx

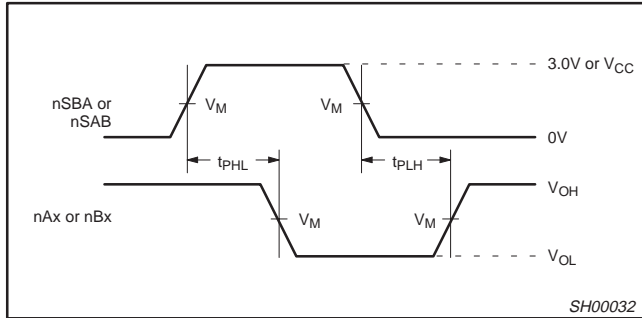


# 16-bit transceiver/register, non-inverting (3-State)

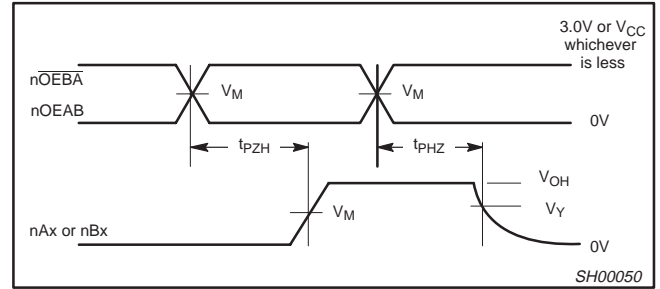
74ABT16652  
74ABTH16652

## AC WAVEFORMS (Continued)

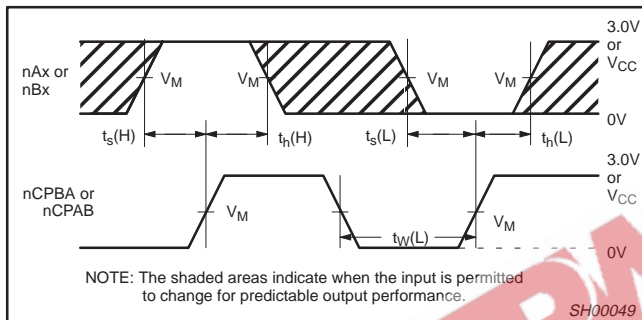
$V_M = 1.5V$ ,  $V_{IN} = GND$  to  $3.0V$



Waveform 3. Propagation Delay, SBA to nAx or SAB to nBx

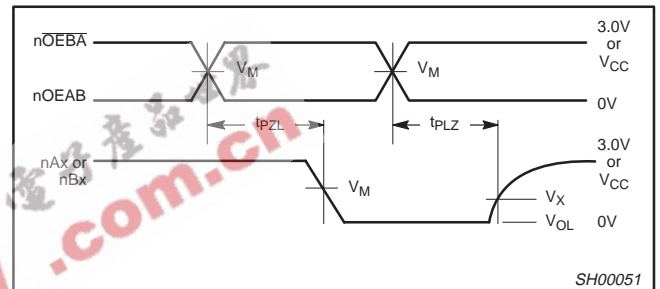


Waveform 5. 3-State Output Enable Time to High Level and Output Disable Time from High Level



NOTE: The shaded areas indicate when the input is permitted to change for predictable output performance.

Waveform 4. Data Setup and Hold Times



Waveform 6. 3-State Output Enable Time to Low Level and Output Disable Time from Low Level

## TEST CIRCUIT AND WAVEFORMS

**Test Circuit for 3-State Outputs**

SWITCH POSITION	
TEST	SWITCH
$t_{PLZ}$	closed
$t_{PZL}$	closed
All other	open

**DEFINITIONS:**  
 $R_L$  = Load resistor; see AC CHARACTERISTICS for value.  
 $C_L$  = Load capacitance includes jig and probe capacitance; see AC CHARACTERISTICS for value.  
 $R_T$  = Termination resistance should be equal to  $Z_{OUT}$  of pulse generators.

**$V_M = 1.5V$   
Input Pulse Definition**

FAMILY	INPUT PULSE REQUIREMENTS				
	Amplitude	Rep. Rate	$t_w$	$t_R$	$t_F$
74ABT16	3.0V	1MHz	500ns	2.5ns	2.5ns

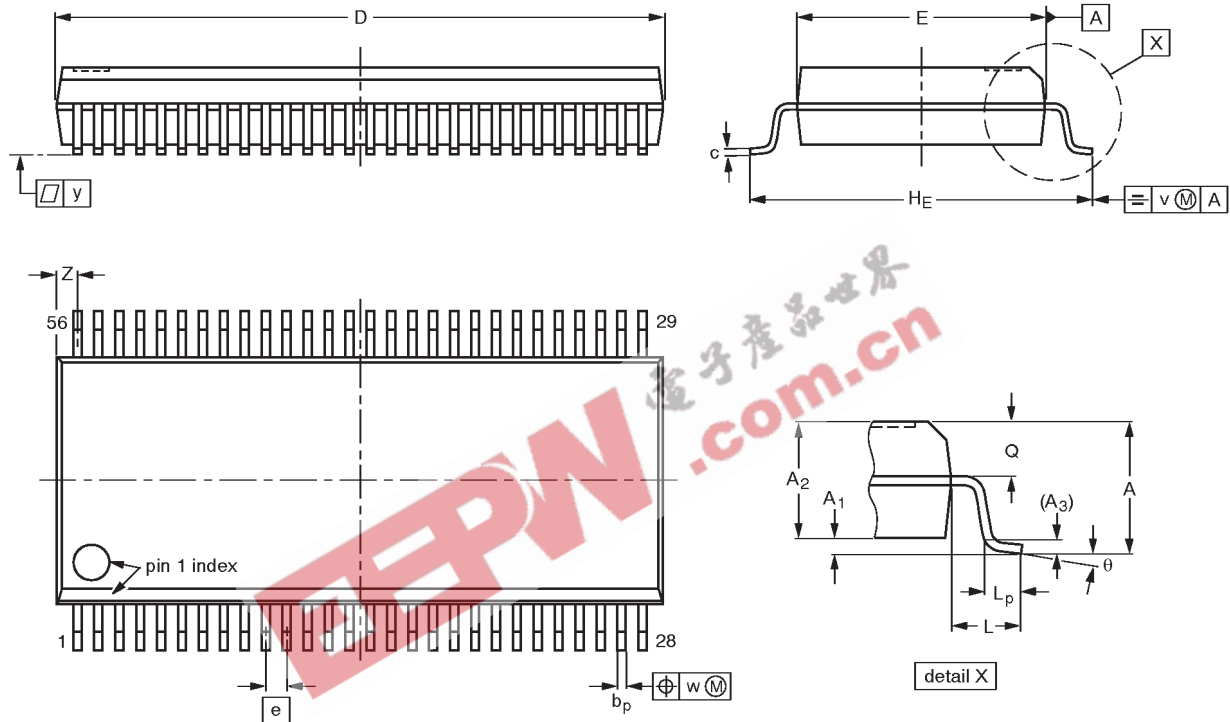
SH00022

16-bit transceiver/register, non-inverting (3-State)

74ABT16652  
74ABTH16652

SSOP56: plastic shrink small outline package; 56 leads; body width 7.5 mm

SOT371-1



**DIMENSIONS** (mm are the original dimensions)

UNIT	A max.	A <sub>1</sub>	A <sub>2</sub>	A <sub>3</sub>	b <sub>p</sub>	c	D <sup>(1)</sup>	E <sup>(1)</sup>	e	H <sub>E</sub>	L	L <sub>p</sub>	Q	v	w	y	z <sup>(1)</sup>	θ
mm	2.8	0.4 0.2	2.35 2.20	0.25	0.3 0.2	0.22 0.13	18.55 18.30	7.6 7.4	0.635	10.4 10.1	1.4	1.0 0.6	1.2 1.0	0.25	0.18	0.1	0.85 0.40	8° 0°

**Note**

1. Plastic or metal protrusions of 0.25 mm maximum per side are not included.

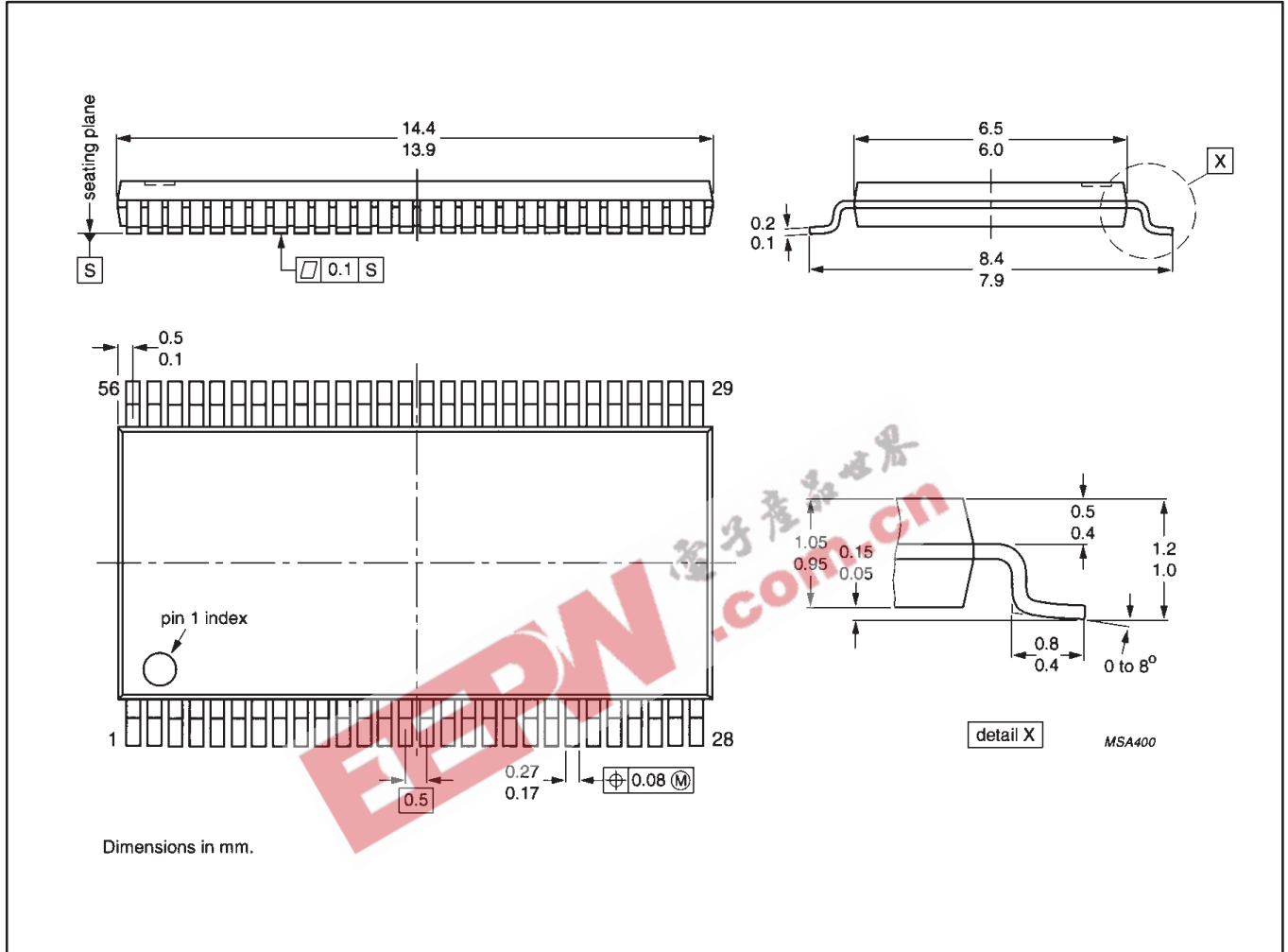
OUTLINE VERSION	REFERENCES				EUROPEAN PROJECTION	ISSUE DATE
	IEC	JEDEC	EIAJ			
SOT371-1		MO-118AB				93-11-02 95-02-04

16-bit transceiver/register, non-inverting (3-State)

74ABT16652  
74ABTH16652

TSSOP56: plastic thin shrink small outline package; 56 leads; body width 6.1mm

SOT364-1



## 16-bit transceiver/register, non-inverting (3-State)

74ABT16652  
74ABTH16652

## Data sheet status

Data sheet status	Product status	Definition [1]
Objective specification	Development	This data sheet contains the design target or goal specifications for product development. Specification may change in any manner without notice.
Preliminary specification	Qualification	This data sheet contains preliminary data, and supplementary data will be published at a later date. Philips Semiconductors reserves the right to make changes at any time without notice in order to improve design and supply the best possible product.
Product specification	Production	This data sheet contains final specifications. Philips Semiconductors reserves the right to make changes at any time without notice in order to improve design and supply the best possible product.

[1] Please consult the most recently issued datasheet before initiating or completing a design.

## Definitions

**Short-form specification** — The data in a short-form specification is extracted from a full data sheet with the same type number and title. For detailed information see the relevant data sheet or data handbook.

**Limiting values definition** — Limiting values given are in accordance with the Absolute Maximum Rating System (IEC 134). Stress above one or more of the limiting values may cause permanent damage to the device. These are stress ratings only and operation of the device at these or at any other conditions above those given in the Characteristics sections of the specification is not implied. Exposure to limiting values for extended periods may affect device reliability.

**Application information** — Applications that are described herein for any of these products are for illustrative purposes only. Philips Semiconductors make no representation or warranty that such applications will be suitable for the specified use without further testing or modification.

## Disclaimers

**Life support** — These products are not designed for use in life support appliances, devices or systems where malfunction of these products can reasonably be expected to result in personal injury. Philips Semiconductors customers using or selling these products for use in such applications do so at their own risk and agree to fully indemnify Philips Semiconductors for any damages resulting from such application.

**Right to make changes** — Philips Semiconductors reserves the right to make changes, without notice, in the products, including circuits, standard cells, and/or software, described or contained herein in order to improve design and/or performance. Philips Semiconductors assumes no responsibility or liability for the use of any of these products, conveys no license or title under any patent, copyright, or mask work right to these products, and makes no representations or warranties that these products are free from patent, copyright, or mask work right infringement, unless otherwise specified.

Philips Semiconductors  
811 East Arques Avenue  
P.O. Box 3409  
Sunnyvale, California 94088-3409  
Telephone 800-234-7381

© Copyright Philips Electronics North America Corporation 1998  
All rights reserved. Printed in U.S.A.

print code

Date of release: 05-96

Document order number:

9397-750-03499

*Let's make things better.*