

8T26A Bus Transceiver

3-State Quad Bus Transceiver

Product Specification

Military Logic Products

FEATURES

- High-speed Schottky quad transceiver
- 32mA Low-state drive
- 200 μ A bus loading
- Ideal for:
 - Half-duplex data transmission
 - Memory interface buffers
 - Data routing in bus oriented systems
 - High current drivers
 - MOS/CMOS-to-TTL interface

DESCRIPTION

The 8T26A consists of four pairs of 3-State logic elements configured as quad bus drivers/receivers, along with separate buffered receiver enable and driver enable lines. This single IC quad transceiver design distinguishes the 8T26 from conventional multi-IC implementations. In addition, the 8T26As ultra high-speed while driving heavy bus capacitance (300pF) makes these devices particularly suitable for memory systems and bidirectional data buses.

Both the driver and receiver gates have 3-State outputs and low-current PNP inputs. 3-State outputs provide the high switching speeds of totem-pole TTL circuits while offering the bus capability of open collector gates. PNP inputs reduce input loading to 200 μ A maximum.

ORDERING INFORMATION

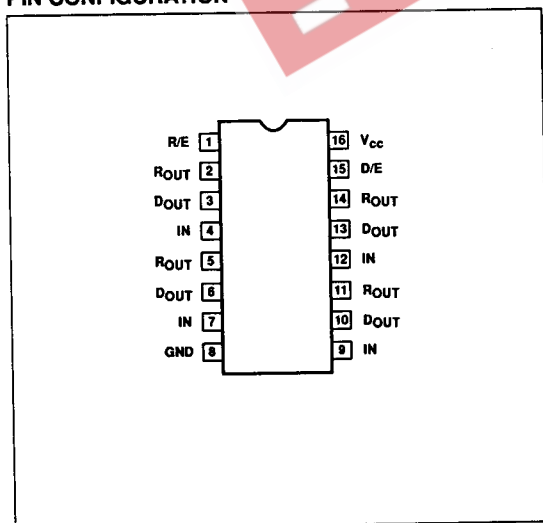
DESCRIPTION	ORDER CODE
Ceramic DIP	8T26A/BEA

INPUT AND OUTPUT LOADING AND FAN-OUT TABLE

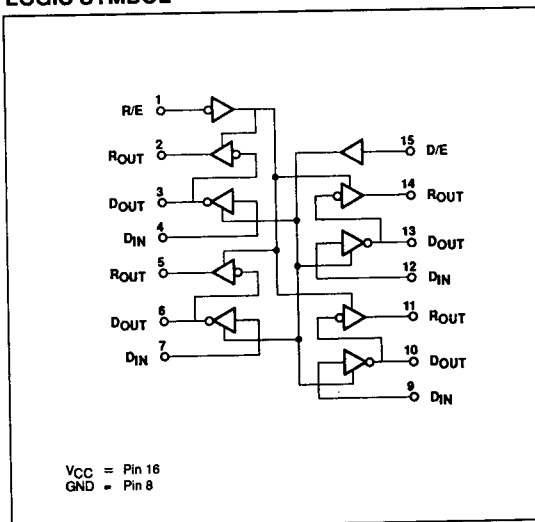
PINS	DESCRIPTION	8T
I_N	Input	0.5SUL
D/E, R/E	Inputs	0.5SUL
DOUT	Output	16SUL
ROUT	Output	6SUL

NOTE: A Unit Load (SUL) is 50 μ A I_{IH} and -2.0mA I_{IL} .

PIN CONFIGURATION



LOGIC SYMBOL



Bus Transceiver

8T26A

ABSOLUTE MAXIMUM RATINGS (Over operating free-air temperature range unless otherwise noted.)

SYMBOL	PARAMETER	RATING	UNIT
V_{CC}	Supply voltage	7.0	V
V_I	Input voltage range	-0.5 to +5.5	V
I_I	Input current range	-30 to +5	mA
I_{OL}	Continuous range	100	mA
V_O	Voltage applied to output in High output state range	-0.5 to V_{CC}	V
T_{STG}	Storage temperature range	-65 to +150	°C

RECOMMENDED OPERATING CONDITIONS

SYMBOL	PARAMETER	LIMITS			UNIT
		Min	Nom	Max	
V_{CC}	Supply voltage	4.5	5.0	5.5	V
V_{IH}	High-level input voltage	2.0			V
V_{IL}	Low-level input voltage			+0.8	V
I_{IK}	Input clamp current			-18	mA
I_{OH}	High-level output current		Driver	-2	μ A
I_{OL}	Low-level output current		Driver	32	mA
			Receiver	12	mA
T_A	Operating free-air temperature range	-55		+125	°C

DC ELECTRICAL CHARACTERISTICS (Over recommended operating free-air temperature range unless otherwise noted.)

SYMBOL	PARAMETER	TEST CONDITIONS ¹	LIMITS		UNIT
			Min	Max	
V_{IH}	Input High voltage	Guaranteed input High threshold voltage	2.0		V
V_{IL}	Input Low voltage	Guaranteed input Low threshold voltage		0.8	V
V_{IK}	Input clamp diode voltage	$V_{CC} = \text{Min}, I_{IK} = -18\text{mA}$		-1.2	V
V_{BD}	Input breakdown voltage	$V_{CC} = \text{Max}, I_I = 1\text{mA}$	5.5		V
V_{OH}	High-level output voltage, Driver outputs	$V_{CC} = \text{Min}, I_{OH} = -2\text{mA}$	2.4		V
V_{OH}	High-level output voltage, Receiver outputs	$V_{CC} = 5.0\text{V}, I_{OH} = -100\mu\text{A}$	3.0		V
V_{OL}	Low-level output voltage, Driver outputs	$V_{CC} = \text{Min}, I_{OL} = 32\text{mA}$		0.5	V
V_{OL}	Low-level output voltage, Receiver outputs	$V_{CC} = \text{Min}, I_{OL} = 12\text{mA}$		0.5	V
I_{OZH}	Off-state output current, High-level voltage applied	$V_{CC} = \text{Max}, V_O = 2.4\text{V}$		100	μ A
I_{OZL}	Off-state output current, Low-level voltage applied	$V_{CC} = \text{Max}, V_O = 0.5\text{V}$		-100	μ A
I_{IH}	High-level input current	$V_{CC} = \text{Max}, V_I = 4.5\text{V}$		25	μ A
I_{IL}	Low-level input current	$V_{CC} = \text{Max}, V_I = 0.5\text{V}$	Driver, receiver	-200	μ A
			Disabled	-25	μ A
I_{OS}	Short-circuit output current ²	$V_{CC} = \text{Max}$	Driver	-50	mA
			Receiver	-30	mA
I_{CC}	Supply current	$V_{CC} = \text{Max}$		87	mA

Bus Transceiver

8T26A

AC ELECTRICAL CHARACTERISTICS $T_A = 25^\circ\text{C}$, $V_{CC} = 5.0\text{V}$

SYMBOL	PARAMETER	TEST CONDITIONS	LIMITS		UNIT
			Min	Max	
t_{PHL}	Propagation delay, D_{OUT} to R_{OUT}	$C_L = 30\text{pF}$		14	ns
t_{PHL}	Propagation delay, D_{IN} to D_{OUT}	$C_L = 300\text{pF}$		14	ns
t_{PLH}	Propagation delay, D_{OUT} to R_{OUT}	$C_L = 30\text{pF}$		14	ns
t_{PLH}	Propagation delay, D_{IN} to D_{OUT}	$C_L = 300\text{pF}$		14	ns
t_{PZL}	Data enable to data output, Hi-Z to 0	$C_L = 300\text{pF}$		25	ns
t_{PLZ}	Data enable to data output, 0 to Hi-Z	$C_L = 300\text{pF}$		20	ns
t_{PZL}	Receive enable to receive output, Hi-Z to 0	$C_L = 30\text{pF}$		20	ns
t_{PLZ}	Receive enable to receive output, 0 to Hi-Z	$C_L = 30\text{pF}$		15	ns

AC ELECTRICAL CHARACTERISTICS $T_A = -55^\circ\text{C}$ and $+125^\circ\text{C}$, $V_{CC} = 5.0\text{V}^3$

SYMBOL	PARAMETER	TEST CONDITIONS	LIMITS		UNIT
			Min	Max	
t_{PHL}	Propagation delay, D_{OUT} to R_{OUT}	$C_L = 30\text{pF}$		18	ns
t_{PHL}	Propagation delay, D_{IN} to D_{OUT}	$C_L = 300\text{pF}$		18	ns
t_{PLH}	Propagation delay, D_{OUT} to R_{OUT}	$C_L = 30\text{pF}$		18	ns
t_{PLH}	Propagation delay, D_{IN} to D_{OUT}	$C_L = 300\text{pF}$		18	ns
t_{PZL}	Data enable to data output, Hi-Z to 0	$C_L = 300\text{pF}$		35	ns
t_{PLZ}	Data enable to data output, 0 to Hi-Z	$C_L = 300\text{pF}$		26	ns
t_{PZL}	Receive enable to receive output, Hi-Z to 0	$C_L = 30\text{pF}$		38	ns
t_{PLZ}	Receive enable to receive output, 0 to Hi-Z	$C_L = 30\text{pF}$		19	ns

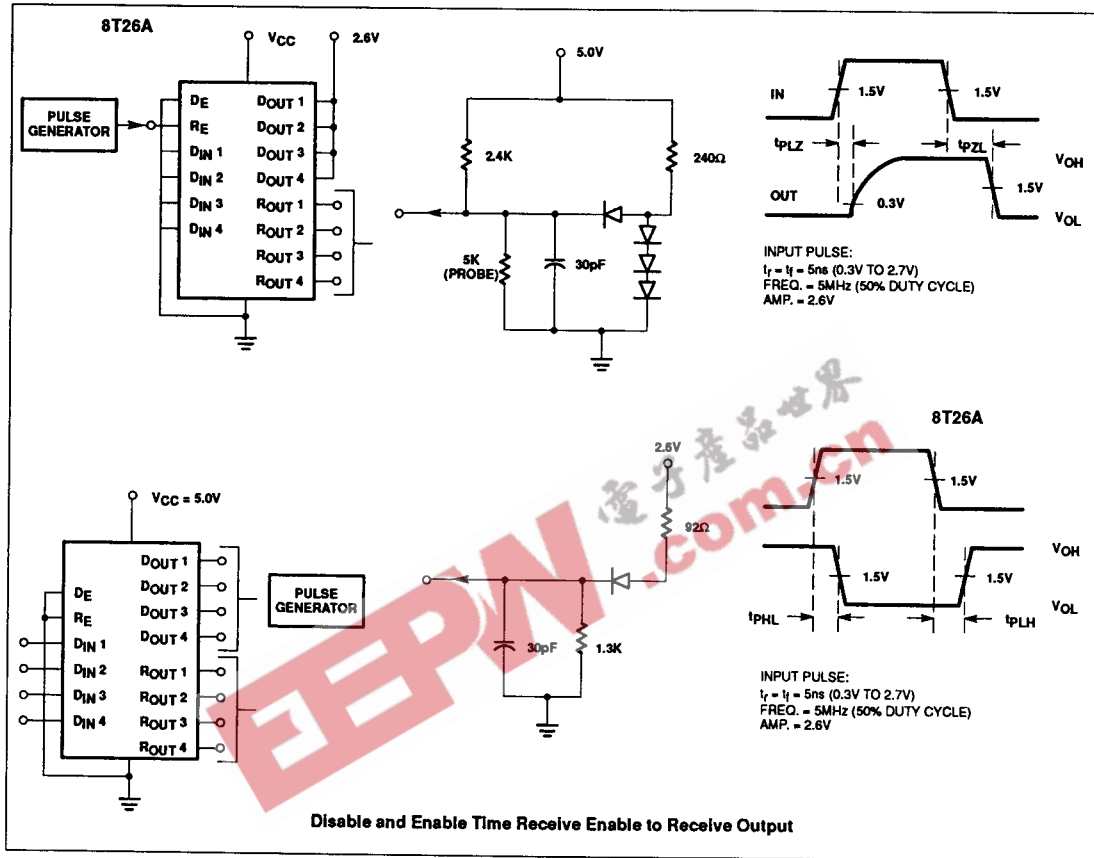
NOTES:

1. For conditions shown as Min or Max, use the appropriate value specified under recommended operating conditions for the applicable type.
2. Not more than one output should be shorted at a time and duration of the short circuit should not exceed one second.
3. These parameters are guaranteed, but not tested.

Bus Transceiver

8T26A

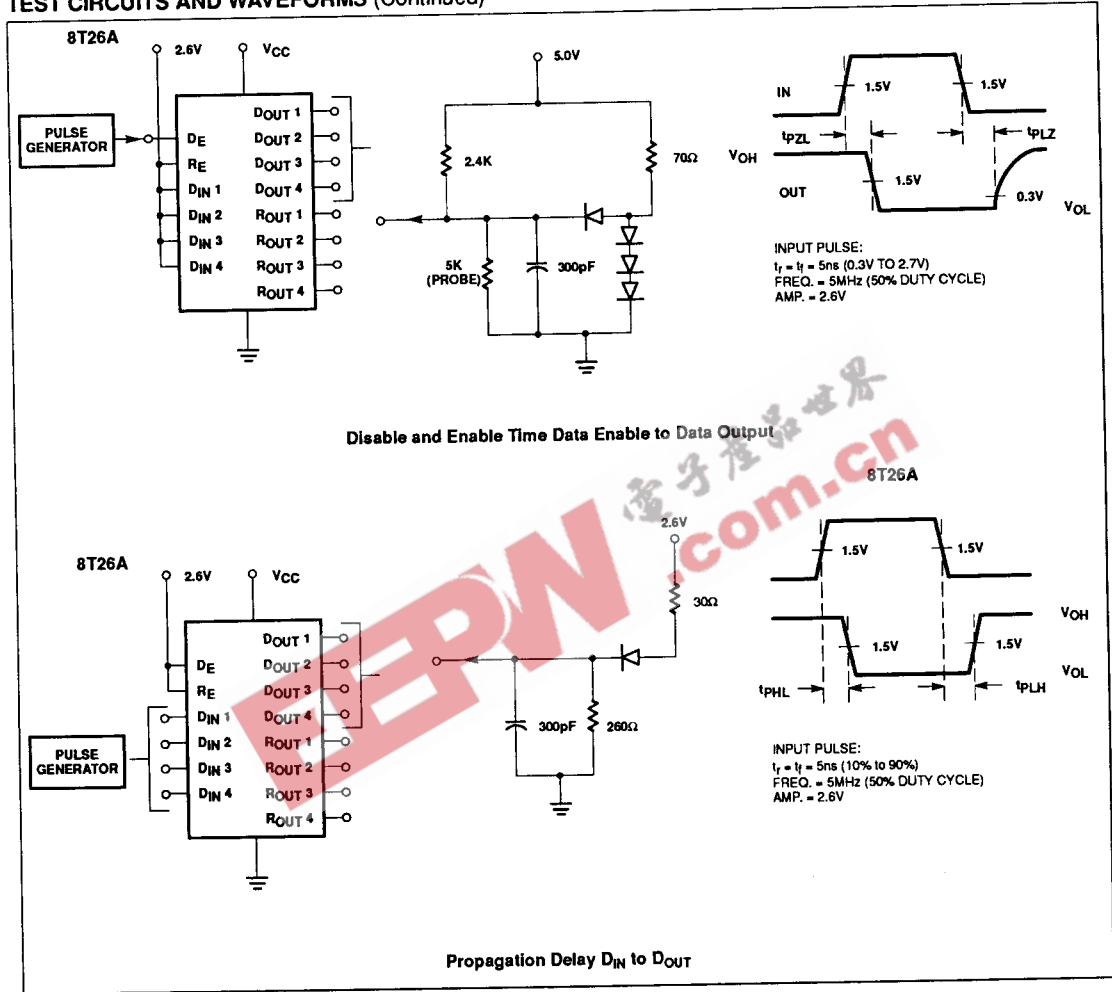
TEST CIRCUITS AND WAVEFORMS



Bus Transceiver

8T26A

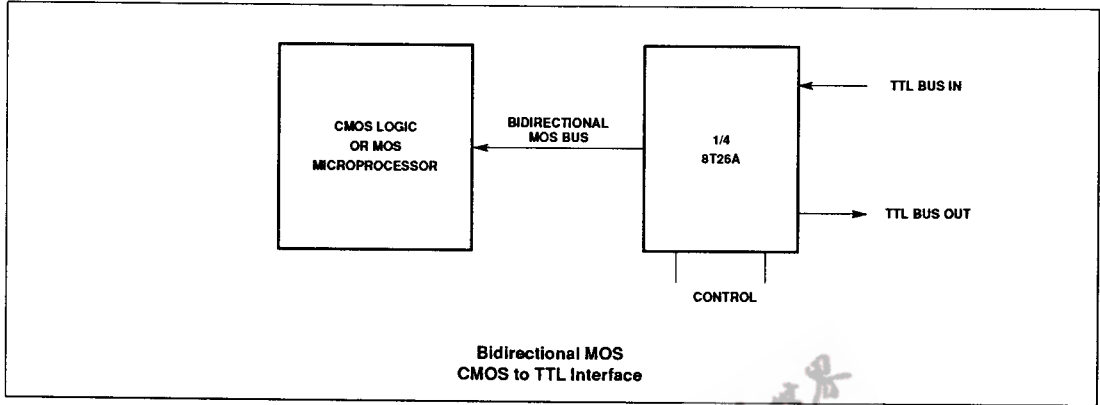
TEST CIRCUITS AND WAVEFORMS (Continued)



Bus Transceiver

8T26A

TYPICAL APPLICATION



TYPICAL APPLICATION

