

DATA SHEET

74LVC162373A;
74LVCH162373A
16-bit D-type transparent latch;
30 Ω series termination resistors;
5 V tolerant inputs/outputs; 3-state

Product specification
Supersedes data of 1999 Aug 05

2004 Feb 05

16-bit D-type transparent latch; 30 Ω series termination resistors; 5 V tolerant inputs/outputs; 3-state

74LVC162373A; 74LVCH162373A

FEATURES

- 5 V tolerant inputs/outputs for interfacing with 5 V logic
- Wide supply voltage range from 1.2 to 3.6 V
- CMOS low power consumption
- MULTIBYTE flow-through standard pin-out architecture
- Low inductance multiple power and ground pins for minimum noise and ground bounce
- Direct interface with TTL levels
- All data inputs have bushold (74LVCH162373A only)
- High-impedance when $V_{CC} = 0$ V
- Complies with JEDEC standard no. 8-1A
- ESD protection:
HBM EIA/JESD22-A114-A exceeds 2000 V
MM EIA/JESD22-A115-A exceeds 200 V.
- Specified from -40 to $+85$ °C and -40 to $+125$ °C.

DESCRIPTION

The 74LVC(H)162373A is a 16-bit D-type transparent latch featuring separate D-type inputs for each latch and 3-state outputs for bus oriented applications. One latch enable (pin nLE) input and one output enable (pin n \overline{OE}) are provided for each octal. Inputs can be driven from either 3.3 or 5 V devices. In 3-state operation, outputs can handle 5 V. These features allow the use of these devices in a mixed 3.3 and 5 V environment.

The 74LVC(H)162373A consists of 2 sections of eight D-type transparent latches with 3-state true outputs. When pin nLE is HIGH, data at the corresponding data inputs (pins nDn) enter the latches. In this condition the latches are transparent, i.e., a latch output will change each time its corresponding data inputs changes.

When pin nLE is LOW the latches store the information that was present at the data inputs a set-up time preceding the HIGH-to-LOW transition of pin nLE. When pin n \overline{OE} is LOW, the contents of the eight latches are available at the outputs. When pin n \overline{OE} is HIGH, the outputs go to the high-impedance OFF-state. Operation of the n \overline{OE} input does not affect the state of the latches.

The 74LVCH162373A bushold data inputs eliminates the need for external pull-up resistors to hold unused inputs.

The 74LVC(H)162373A is designed with 30 Ω series termination resistors in both high and low output stages to reduce line noise.

QUICK REFERENCE DATA

GND = 0 V; $T_{amb} = 25$ °C; $t_r = t_f \leq 2.5$ ns

SYMBOL	PARAMETER	CONDITIONS	TYPICAL	UNIT
t_{PHL}/t_{PLH}	propagation delay nDn to nQn	$C_L = 50$ pF; $V_{CC} = 3.3$ V	3.3	ns
	propagation delay nLE to nQn	$C_L = 50$ pF; $V_{CC} = 3.3$ V	3.5	ns
t_{PZH}/t_{PZL}	3-state output enable time n \overline{OE} to nQn	$C_L = 50$ pF; $V_{CC} = 3.3$ V	4.0	ns
t_{PHZ}/t_{PLZ}	3-state output disable time n \overline{OE} to nQn	$C_L = 50$ pF; $V_{CC} = 3.3$ V	3.4	ns
C_I	input capacitance		5.0	pF
C_{PD}	power dissipation per latch	$V_{CC} = 3.3$ V; notes 1 and 2 outputs enabled	26	pF
		outputs disabled	19	pF

Notes

1. C_{PD} is used to determine the dynamic power dissipation (P_D in μ W).
 $P_D = C_{PD} \times V_{CC}^2 \times f_i \times N + \Sigma(C_L \times V_{CC}^2 \times f_o)$ where:
 f_i = input frequency in MHz;
 f_o = output frequency in MHz;
 C_L = output load capacitance in pF;

16-bit D-type transparent latch; 30 Ω series termination resistors; 5 V tolerant inputs/outputs; 3-state

74LVC162373A;
74LVCH162373A

V_{CC} = supply voltage in Volts;

N = total load switching outputs;

$\Sigma(C_L \times V_{CC}^2 \times f_o)$ = sum of the outputs.

2. The condition is $V_i = \text{GND to } V_{CC}$.

ORDERING INFORMATION

TYPE NUMBER	TEMPERATURE RANGE	PACKAGE			
		PINS	PACKAGE	MATERIAL	CODE
74LVC162373ADGG	-40 to +125 °C	48	TSSOP48	plastic	SOT362-1
74LVCH162373ADGG	-40 to +125 °C	48	TSSOP48	plastic	SOT362-1
74LVC162373ADL	-40 to +125 °C	48	SSOP48	plastic	SOT370-1
74LVCH162373ADL	-40 to +125 °C	48	SSOP48	plastic	SOT370-1

FUNCTION TABLE

Per section of eight bits; note 1

OPERATING MODES	INPUT			INTERNAL LATCH	OUTPUT nQn
	nOE	nLE	nDn		
Enable and read register (transparent mode)	L	H	L	L	L
	L	H	H	H	H
Latch and read register	L	L	l	L	L
	L	L	h	H	H
Latch register and disable outputs	H	L	l	L	Z
	H	L	h	H	Z

Note

- H = HIGH voltage level;
h = HIGH voltage level one set-up time prior to the HIGH-to-LOW LE transition;
L = LOW voltage level;
l = LOW voltage level one set-up time prior to the HIGH-to-LOW LE transition;
Z = high-impedance OFF-state.

16-bit D-type transparent latch; 30 Ω series termination resistors; 5 V tolerant inputs/outputs; 3-state

74LVC162373A;
74LVCH162373A

PINNING

SYMBOL	PIN	DESCRIPTION
1OE	1	output enable input (active LOW)
1Q0	2	data output
1Q1	3	data output
GND	4, 10, 15, 21, 28, 34, 39, 45	ground (0 V)
1Q2	5	data output
1Q3	6	data output
V _{CC}	7, 18, 31, 42	supply voltage
1Q4	8	data output
1Q5	9	data output
1Q6	11	data output
1Q7	12	data output
2Q0	13	data output
2Q1	14	data output
2Q2	16	data output
2Q3	17	data output
2Q4	19	data output
2Q5	20	data output
2Q6	22	data output
2Q7	23	data output
2OE	24	output enable input (active LOW)
2LE	25	latch enable input (active HIGH)
2D7	26	data input
2D6	27	data input
2D5	29	data input
2D4	30	data input
2D3	32	data input
2D2	33	data input
2D1	35	data input
2D0	36	data input
1D7	37	data input
1D6	38	data input
1D5	40	data input
1D4	41	data input
1D3	43	data input
1D2	44	data input

SYMBOL	PIN	DESCRIPTION
1D1	46	data input
1D0	47	data input
1LE	48	latch enable input (active HIGH)

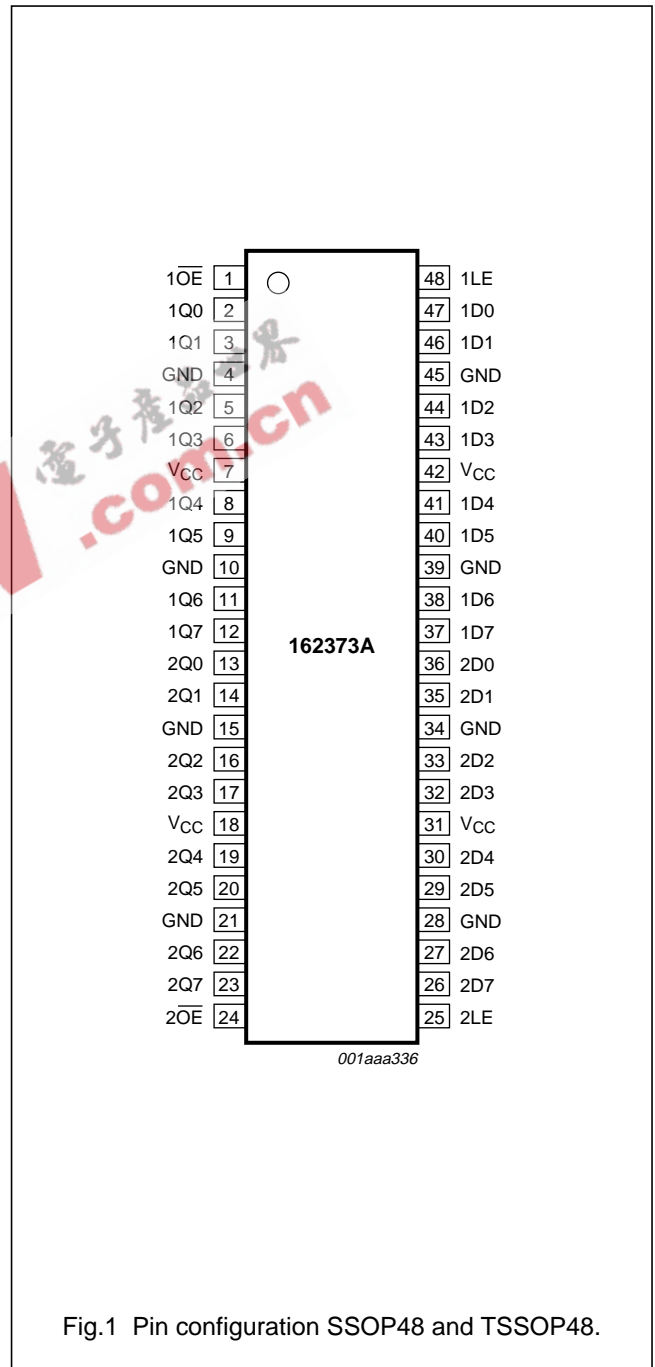


Fig.1 Pin configuration SSOP48 and TSSOP48.

16-bit D-type transparent latch; 30 Ω series termination resistors; 5 V tolerant inputs/outputs; 3-state

74LVC162373A;
74LVCH162373A

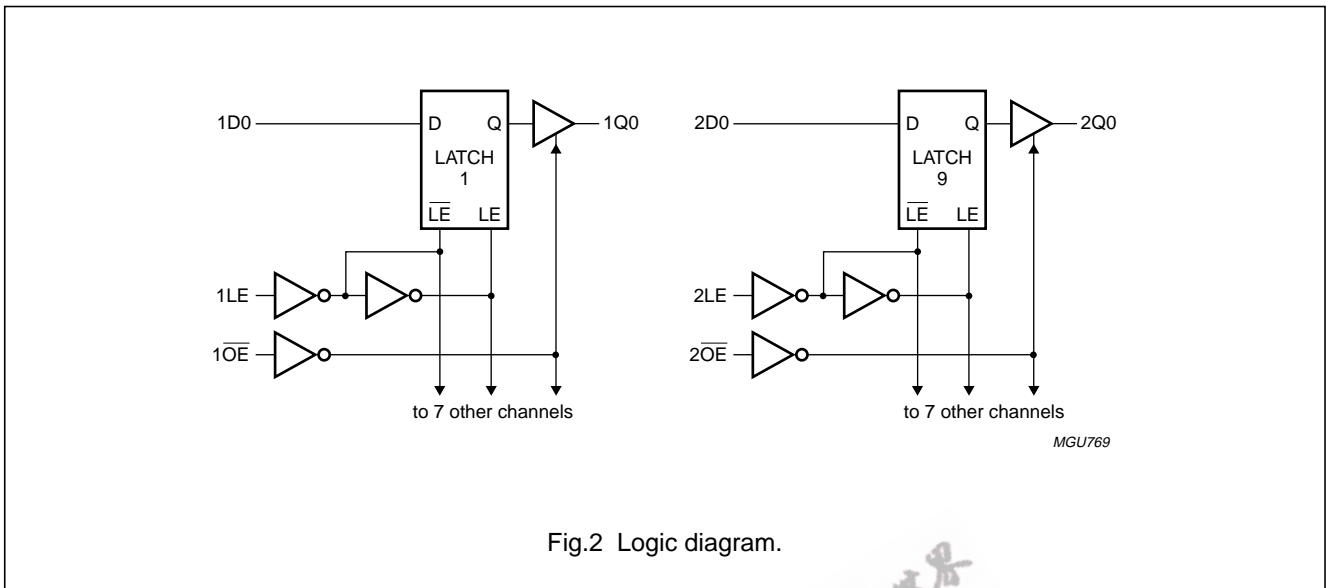


Fig.2 Logic diagram.

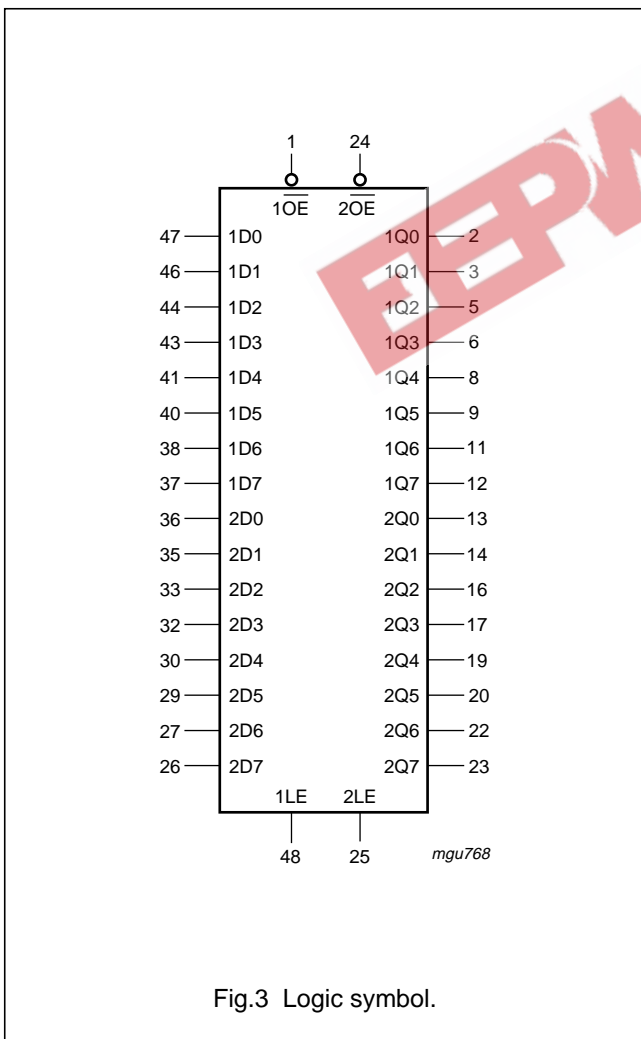


Fig.3 Logic symbol.

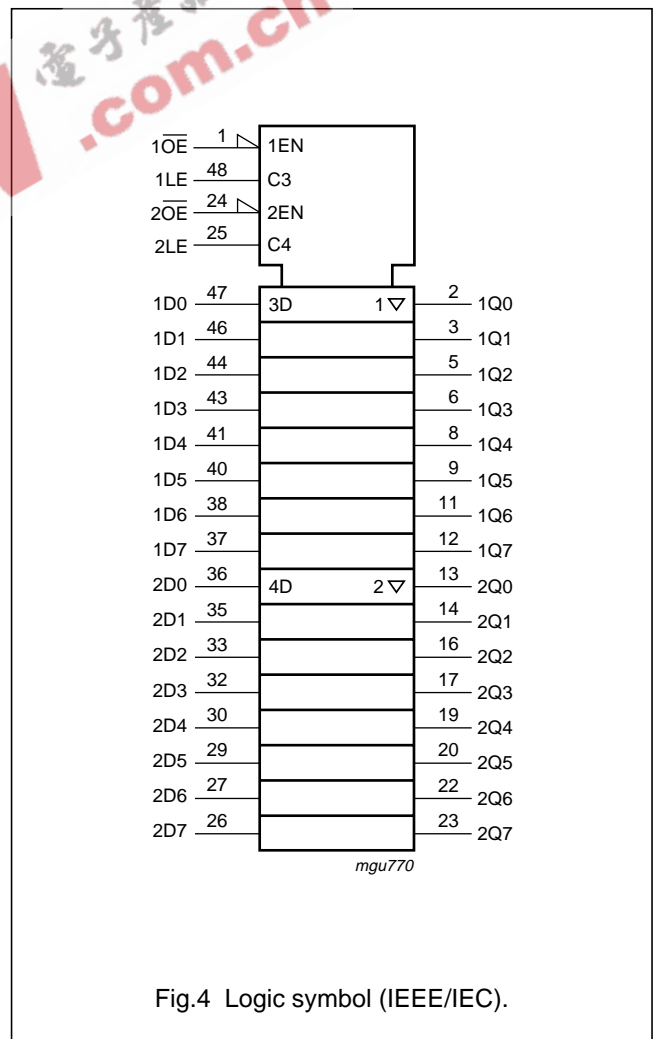


Fig.4 Logic symbol (IEEE/IEC).

16-bit D-type transparent latch; 30 Ω series termination resistors; 5 V tolerant inputs/outputs; 3-state

74LVC162373A;
74LVCH162373A

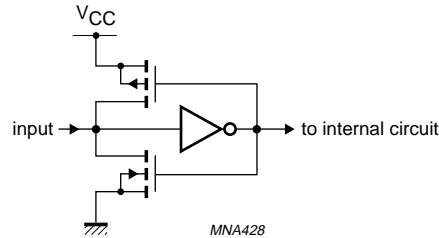


Fig.5 Bushhold circuit.

RECOMMENDED OPERATING CONDITIONS

SYMBOL	PARAMETER	CONDITIONS	MIN.	MAX.	UNIT
V_{CC}	supply voltage	for maximum speed performance	2.7	3.6	V
		for low-voltage applications	1.2	3.6	V
V_I	input voltage		0	5.5	V
V_O	output voltage	output HIGH or LOW state	0	V_{CC}	V
		output 3-state	0	5.5	V
T_{amb}	operating ambient temperature	in free-air	-40	+125	$^{\circ}\text{C}$
t_r, t_f	input rise and fall times	$V_{CC} = 1.2$ to 2.7 V	0	20	ns/V
		$V_{CC} = 2.7$ to 3.6 V	0	10	ns/V

LIMITING VALUES

In accordance with the Absolute Maximum Rating System (IEC 60134); voltages are referenced to GND (ground = 0 V).

SYMBOL	PARAMETER	CONDITIONS	MIN.	MAX.	UNIT
V_{CC}	supply voltage		-0.5	+6.5	V
I_{IK}	input diode current	$V_I < 0$	-	-50	mA
V_I	input voltage	note 1	-0.5	+6.5	V
I_{OK}	output diode current	$V_O > V_{CC}$ or $V_O < 0$	-	± 50	mA
V_O	output voltage	output HIGH or LOW state; note 1	-0.5	$V_{CC} + 0.5$	V
		output 3-state; note 1	-0.5	+6.5	V
I_O	output source or sink current	$V_O = 0$ to V_{CC}	-	± 50	mA
I_{CC}, I_{GND}	V_{CC} or GND current		-	± 100	mA
T_{stg}	storage temperature		-65	+150	$^{\circ}\text{C}$
P_{tot}	power dissipation	$T_{amb} = -40$ to $+125$ $^{\circ}\text{C}$; note 2	-	500	mW

Notes

- The input and output voltage ratings may be exceeded if the input and output current ratings are observed.
- Above 60 $^{\circ}\text{C}$ the value of P_{tot} derates linearly with 5.5 mW/K.

16-bit D-type transparent latch; 30 Ω series termination resistors; 5 V tolerant inputs/outputs; 3-state

74LVC162373A;
74LVCH162373A

DC CHARACTERISTICS

At recommended operating conditions; voltages are referenced to GND (ground = 0 V).

SYMBOL	PARAMETER	TEST CONDITIONS		MIN.	TYP.	MAX.	UNIT
		OTHER	V _{CC} (V)				
T_{amb} = -40 to +85 °C; note 1							
V _{IH}	HIGH-level input voltage		1.2	V _{CC}	–	–	V
			2.7 to 3.6	2.0	–	–	V
V _{IL}	LOW-level input voltage		1.2	–	–	GND	V
			2.7 to 3.6	–	–	0.8	V
V _{OH}	HIGH-level output voltage	V _I = V _{IH} or V _{IL} I _O = -100 μ A	2.7 to 3.6	V _{CC} - 0.2	V _{CC} ⁽²⁾	–	V
		I _O = -6 mA	2.7	V _{CC} - 0.5	–	–	V
		I _O = -12 mA	3.0	V _{CC} - 0.8	–	–	V
V _{OL}	LOW-level output voltage	V _I = V _{IH} or V _{IL} I _O = 100 μ A	2.7 to 3.6	–	GND ⁽²⁾	0.20	V
		I _O = 6 mA	2.7	–	–	0.40	V
		I _O = 12 mA	3.0	–	–	0.55	V
I _{LI}	input leakage current	V _I = 5.5 V or GND; note 3	3.6	–	\pm 0.1	\pm 5	μ A
I _{OZ}	3-state output OFF-state current	V _I = V _{IH} or V _{IL} ; V _O = 5.5 V or GND; note 3	3.6	–	\pm 0.1	\pm 5	μ A
I _{off}	power-off leakage current	V _I or V _O = 5.5 V	0	–	\pm 0.1	\pm 10	μ A
I _{CC}	quiescent supply current	V _I = V _{CC} or GND; I _O = 0	3.6	–	0.1	20	μ A
Δ I _{CC}	additional quiescent supply current per input pin	V _I = V _{CC} - 0.6 V; I _O = 0	2.7 to 3.6	–	5 ⁽²⁾	500	μ A
I _{BHL}	bushold LOW sustaining current	V _I = 0.8 V; notes 4 and 5	3.0	75	–	–	μ A
I _{BHH}	bushold HIGH sustaining current	V _I = 2.0 V; notes 4 and 5	3.0	-75	–	–	μ A
I _{BHLO}	bushold LOW overdrive current	notes 4 and 6	3.6	500	–	–	μ A
I _{BHNO}	bushold HIGH overdrive current	notes 4 and 6	3.6	-500	–	–	μ A

16-bit D-type transparent latch; 30 Ω series termination resistors; 5 V tolerant inputs/outputs; 3-state

74LVC162373A;
74LVCH162373A

SYMBOL	PARAMETER	TEST CONDITIONS		MIN.	TYP.	MAX.	UNIT
		OTHER	V _{CC} (V)				
T_{amb} = -40 to +125 °C							
V _{IH}	HIGH-level input voltage		1.2	V _{CC}	–	–	V
			2.7 to 3.6	2.0	–	–	V
V _{IL}	LOW-level input voltage		1.2	–	–	GND	V
			2.7 to 3.6	–	–	0.8	V
V _{OH}	HIGH-level output voltage	V _I = V _{IH} or V _{IL} I _O = -100 μ A	2.7 to 3.6	V _{CC} - 0.3	–	–	V
		I _O = -6 mA	2.7	V _{CC} - 0.65	–	–	V
		I _O = -12 mA	3.0	V _{CC} - 1	–	–	V
V _{OL}	LOW-level output voltage	V _I = V _{IH} or V _{IL} I _O = 100 μ A	2.7 to 3.6	–	–	0.3	V
		I _O = 6 mA	2.7	–	–	0.6	V
		I _O = 12 mA	3.0	–	–	0.8	V
I _{LI}	input leakage current	V _I = 5.5 V or GND; note 3	3.6	–	–	\pm 20	μ A
I _{OZ}	3-state output OFF-state current	V _I = V _{IH} or V _{IL} ; V _O = 5.5 V or GND; note 3	3.6	–	–	\pm 20	μ A
I _{off}	power off leakage current	V _I or V _O = 5.5 V	0	–	–	\pm 20	μ A
I _{CC}	quiescent supply current	V _I = V _{CC} or GND; I _O = 0	3.6	–	–	80	μ A
Δ I _{CC}	additional quiescent supply current per input pin	V _I = V _{CC} - 0.6 V; I _O = 0	2.7 to 3.6	–	–	5000	μ A
I _{BHL}	bushold LOW sustaining current	V _I = 0.8 V; notes 4 and 5	3.0	60	–	–	μ A
I _{BHH}	bushold HIGH sustaining current	V _I = 2.0 V; notes 4 and 5	3.0	-60	–	–	μ A
I _{BHLO}	bushold LOW overdrive current	notes 4 and 6	3.6	500	–	–	μ A
I _{BHHO}	bushold HIGH overdrive current	notes 4 and 6	3.6	-500	–	–	μ A

Notes

1. All typical values are measured at T_{amb} = 25 °C.
2. Measured at V_{CC} = 3.3 V.
3. For bushold parts, the bushold circuit is switched off when V_I > V_{CC} allowing 5.5 V on the input pin.
4. Valid for data inputs of bushold parts (LVCH162373A) only. For data inputs only; control inputs do not have a bushold circuit.
5. The specified sustaining current at the data inputs holds the input below the specified V_I level.
6. The specified overdrive current at the data input forces the data input to the opposite logic input state.

16-bit D-type transparent latch; 30 Ω series termination resistors; 5 V tolerant inputs/outputs; 3-state

74LVC162373A;
74LVCH162373A

AC CHARACTERISTICS

GND = 0 V; $t_r = t_f \leq 2.5$ ns; $C_L = 50$ pF; $R_L = 500$ Ω .

SYMBOL	PARAMETER	CONDITIONS		MIN.	TYP.	MAX.	UNIT
		WAVEFORMS	V _{CC} (V)				
T_{amb} = -40 to +85 °C; note 1							
t _{PHL} /t _{PLH}	propagation delay nDn to nQn	see Fig 6 and 10	1.2	–	12	–	ns
			2.7	1.5	–	6.7	ns
			3.0 to 3.6	1.0	3.3 ⁽²⁾	5.9	ns
	propagation delay nLE to nQn	see Fig 7 and 10	1.2	–	14	–	ns
			2.7	1.5	–	7.0	ns
			3.0 to 3.6	1.5	3.5 ⁽²⁾	6.1	ns
t _{PZH} /t _{PZL}	3-state output enable time \overline{nOE} to nQn	see Fig 8 and 10	1.2	–	18	–	ns
			2.7	1.5	–	7.5	ns
			3.0 to 3.6	1.0	4.0 ⁽²⁾	6.1	ns
t _{PHZ} /t _{PLZ}	3-state output disable time \overline{nOE} to nQn	see Fig 8 and 10	1.2	–	11	–	ns
			2.7	1.5	–	4.8	ns
			3.0 to 3.6	1.5	3.4 ⁽²⁾	4.6	ns
t _w	nLE pulse width HIGH	see Fig 7	1.2	–	–	–	ns
			2.7	3.0	–	–	ns
			3.0 to 3.6	3.0	2.0 ⁽²⁾	–	ns
t _{su}	set-up time nDn to nLE	see Fig 9	1.2	–	–	–	ns
			2.7	2.0	–	–	ns
			3.0 to 3.6	2.0	1.0 ⁽²⁾	–	ns
t _h	hold time nDn to nLE	see Fig 9	1.2	–	–	–	ns
			2.7	0.9	–	–	ns
			3.0 to 3.6	0.9	-1.0 ⁽²⁾	–	ns
t _{sk(0)}	skew	note 3	3.0 to 3.6	–	–	1.0	ns

16-bit D-type transparent latch; 30 Ω series termination resistors; 5 V tolerant inputs/outputs; 3-state

74LVC162373A;
74LVCH162373A

SYMBOL	PARAMETER	CONDITIONS		MIN.	TYP.	MAX.	UNIT
		WAVEFORMS	V _{CC} (V)				
T_{amb} = -40 to +125 °C							
t _{PHL} /t _{PLH}	propagation delay nDn to nQn	see Fig 6 and 10	1.2	–	–	–	ns
			2.7	1.5	–	8.5	ns
			3.0 to 3.6	1.0	–	7.5	ns
	propagation delay nLE to nQn	see Fig 7 and 10	1.2	–	–	–	ns
			2.7	1.5	–	9.0	ns
			3.0 to 3.6	1.5	–	8.0	ns
t _{PZH} /t _{PZL}	3-state output enable time n \overline{OE} to nQn	see Fig 8 and 10	1.2	–	–	–	ns
			2.7	1.5	–	9.5	ns
			3.0 to 3.6	1.0	–	8.0	ns
t _{PHZ} /t _{PLZ}	3-state output disable time n \overline{OE} to nQn	see Fig 8 and 10	1.2	–	–	–	ns
			2.7	1.5	–	6.0	ns
			3.0 to 3.6	1.5	–	6.0	ns
t _w	nLE pulse width HIGH	see Fig 7	1.2	–	–	–	ns
			2.7	3.0	–	–	ns
			3.0 to 3.6	3.0	–	–	ns
t _{su}	set-up time nDn to nLE	see Fig 9	1.2	–	–	–	ns
			2.7	2.0	–	–	ns
			3.0 to 3.6	2.0	–	–	ns
t _h	hold time nDn to nLE	see Fig 9	1.2	–	–	–	ns
			2.7	0.9	–	–	ns
			3.0 to 3.6	0.9	–	–	ns
t _{sk(0)}	skew	note 3	3.0 to 3.6	–	–	1.5	ns

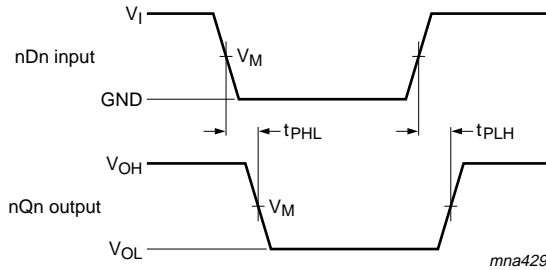
Notes

1. All typical values are measured at T_{amb} = 25 °C.
2. Measured at V_{CC} = 3.3 V.
3. Skew between any two outputs of the same package switching in the same direction. This parameter is guaranteed by design.

16-bit D-type transparent latch; 30 Ω series termination resistors; 5 V tolerant inputs/outputs; 3-state

74LVC162373A;
74LVCH162373A

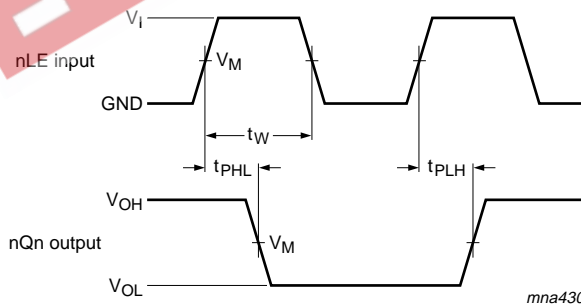
AC WAVEFORMS



V _{CC}	V _M	INPUT	
		V _I	t _r = t _f
1.2 V	0.5 × V _{CC}	V _{CC}	≤ 2.5 ns
2.7 V	1.5 V	2.7 V	≤ 2.5 ns
3.0 to 3.6 V	1.5 V	2.7 V	≤ 2.5 ns

V_{OL} and V_{OH} are the typical output voltage drop that occur with the output load.

Fig.6 Input (nDn) to output (nQn) propagation delays.



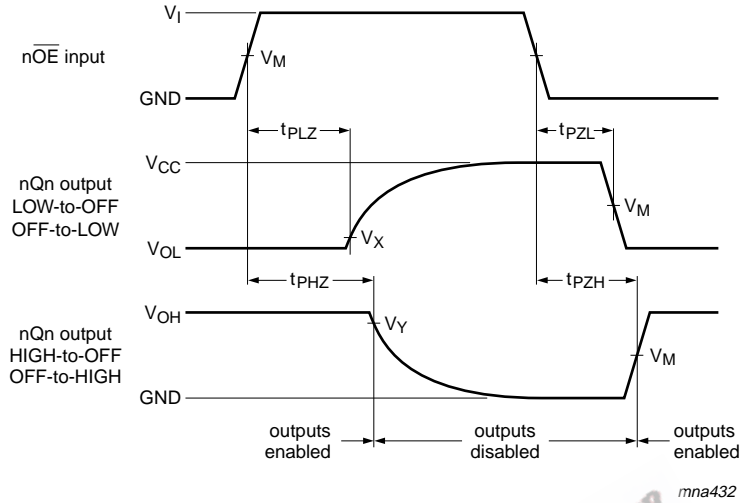
V _{CC}	V _M	INPUT	
		V _I	t _r = t _f
1.2 V	0.5 × V _{CC}	V _{CC}	≤ 2.5 ns
2.7 V	1.5 V	2.7 V	≤ 2.5 ns
3.0 to 3.6 V	1.5 V	2.7 V	≤ 2.5 ns

V_{OL} and V_{OH} are the typical output voltage drop that occur with the output load.

Fig.7 Latch enable input (nLE) pulse width, and the latch enable input to output (nQn) propagation delays.

16-bit D-type transparent latch; 30 Ω series termination resistors; 5 V tolerant inputs/outputs; 3-state

74LVC162373A;
74LVCH162373A



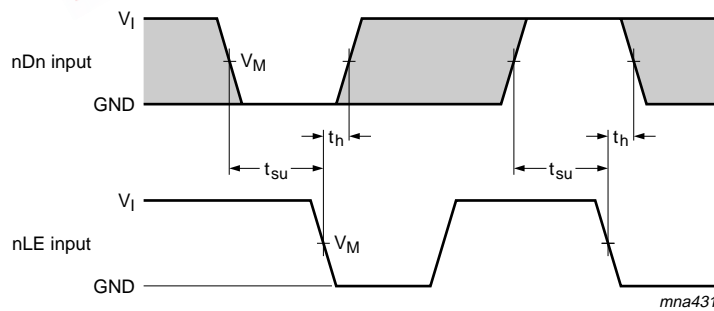
mna432

V _{CC}	V _M	INPUT	
		V _I	t _r = t _f
1.2 V	0.5 × V _{CC}	V _{CC}	≤ 2.5 ns
2.7 V	1.5 V	2.7 V	≤ 2.5 ns
3.0 to 3.6 V	1.5 V	2.7 V	≤ 2.5 ns

V_X = V_{OL} + 0.3 V at V_{CC} ≥ 2.7 V.
 V_X = V_{OL} + 0.1V_{CC} at V_{CC} < 2.7 V.
 V_Y = V_{OH} - 0.3 V at V_{CC} ≥ 2.7 V.
 V_Y = V_{OH} - 0.1V_{CC} at V_{CC} < 2.7 V.

V_{OL} and V_{OH} are the typical output voltage drop that occur with the output load.

Fig.8 3-state enable and disable times.



mna431

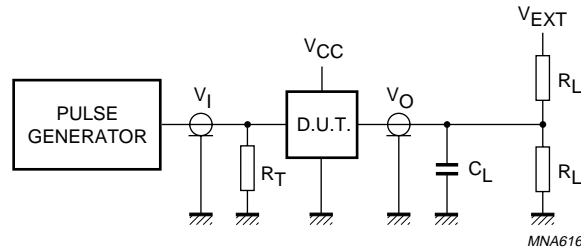
V _{CC}	V _M	INPUT	
		V _I	t _r = t _f
1.2 V	0.5 × V _{CC}	V _{CC}	≤ 2.5 ns
2.7 V	1.5 V	2.7 V	≤ 2.5 ns
3.0 to 3.6 V	1.5 V	2.7 V	≤ 2.5 ns

The shaded areas indicate when the input is permitted to change for predictable performance.

Fig.9 Data set-up and hold times for the nDn input to the nLE input.

16-bit D-type transparent latch; 30 Ω series termination resistors; 5 V tolerant inputs/outputs; 3-state

74LVC162373A;
74LVCH162373A



V _{CC}	V _I	C _L	R _L	V _{EXT}		
				t _{PLH} /t _{PHL}	t _{PZH} /t _{PHZ}	t _{PZL} /t _{PLZ}
1.2 V	V _{CC}	50 pF	500 Ω ⁽¹⁾	open	GND	2 × V _{CC}
2.7 V	2.7 V	50 pF	500 Ω	open	GND	2 × V _{CC}
3.0 to 3.6 V	2.7 V	50 pF	500 Ω	open	GND	2 × V _{CC}

Note

1. The circuit performs better when R_L = 1000 Ω.

Definitions for test circuit:

R_L = Load resistor.

C_L = Load capacitance including jig and probe capacitance.

R_T = Termination resistance should be equal to the output impedance Z_o of the pulse generator.

Fig.10 Load circuitry for switching times.

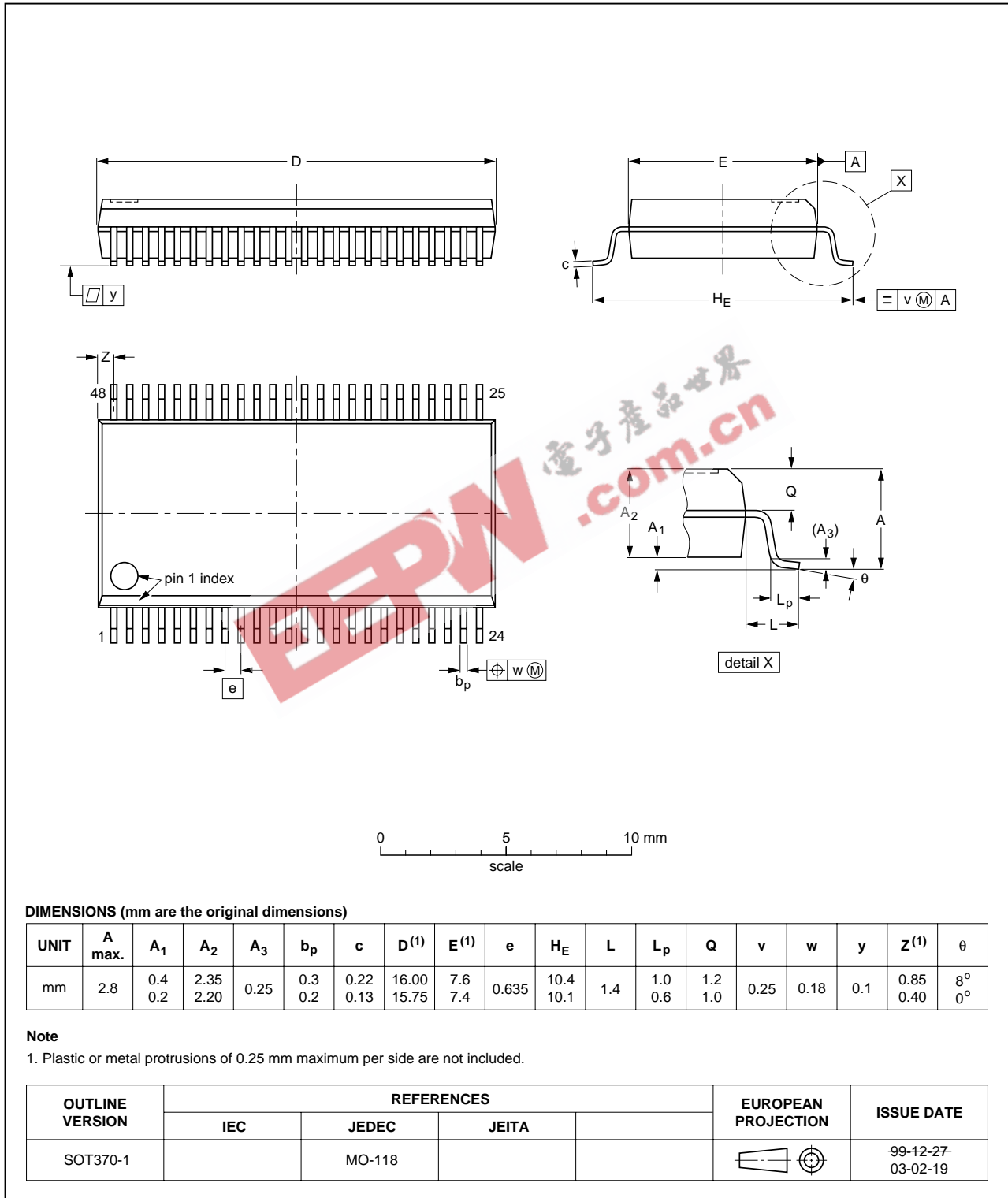
16-bit D-type transparent latch; 30 Ω series termination resistors; 5 V tolerant inputs/outputs; 3-state

74LVC162373A;
74LVCH162373A

PACKAGE OUTLINES

SSOP48: plastic shrink small outline package; 48 leads; body width 7.5 mm

SOT370-1

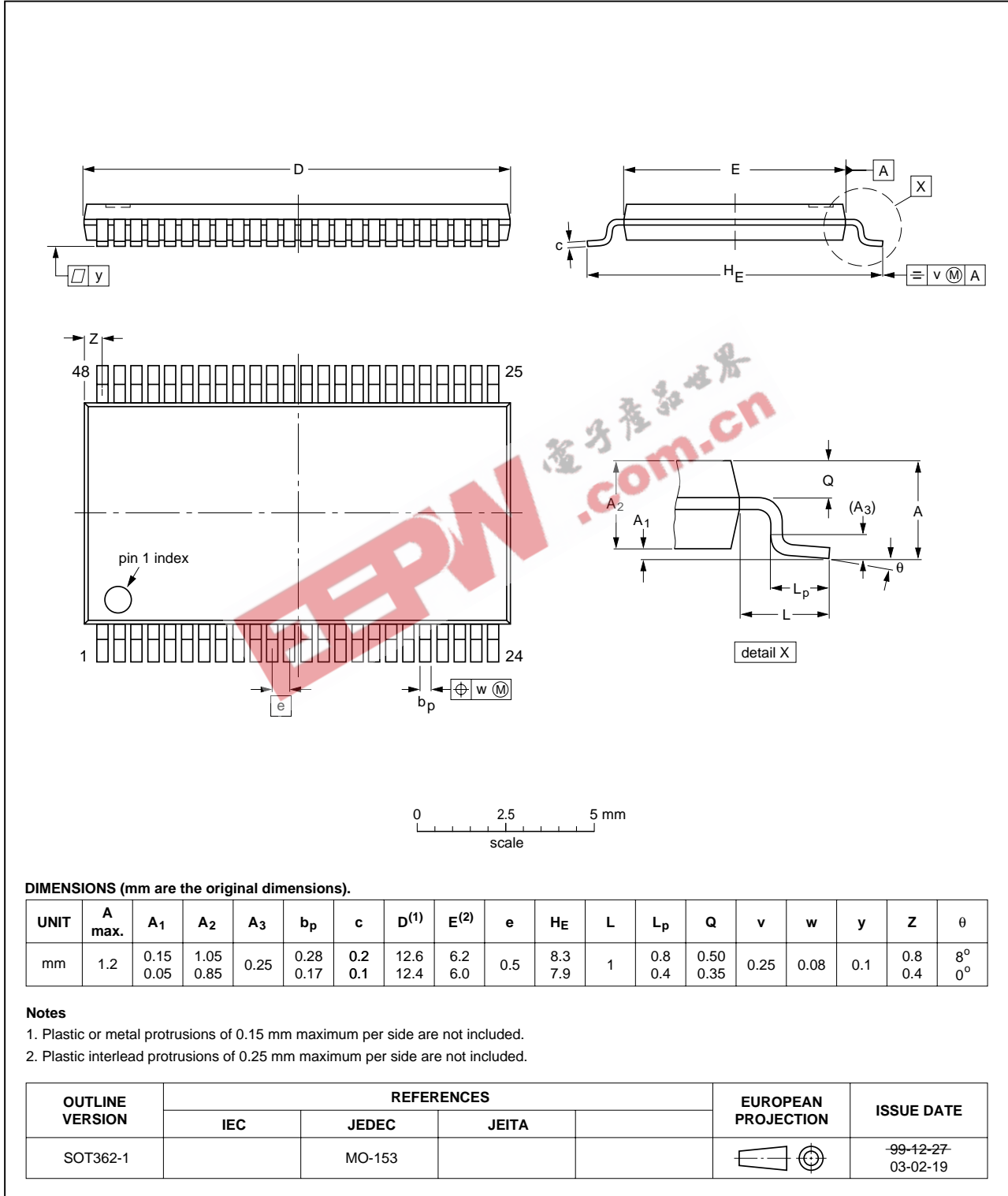


16-bit D-type transparent latch; 30 Ω series termination resistors; 5 V tolerant inputs/outputs; 3-state

74LVC162373A;
74LVCH162373A

TSSOP48: plastic thin shrink small outline package; 48 leads; body width 6.1 mm

SOT362-1



16-bit D-type transparent latch; 30 Ω series termination resistors; 5 V tolerant inputs/outputs; 3-state

74LVC162373A;
74LVCH162373A

DATA SHEET STATUS

LEVEL	DATA SHEET STATUS ⁽¹⁾	PRODUCT STATUS ⁽²⁾⁽³⁾	DEFINITION
I	Objective data	Development	This data sheet contains data from the objective specification for product development. Philips Semiconductors reserves the right to change the specification in any manner without notice.
II	Preliminary data	Qualification	This data sheet contains data from the preliminary specification. Supplementary data will be published at a later date. Philips Semiconductors reserves the right to change the specification without notice, in order to improve the design and supply the best possible product.
III	Product data	Production	This data sheet contains data from the product specification. Philips Semiconductors reserves the right to make changes at any time in order to improve the design, manufacturing and supply. Relevant changes will be communicated via a Customer Product/Process Change Notification (CPCN).

Notes

1. Please consult the most recently issued data sheet before initiating or completing a design.
2. The product status of the device(s) described in this data sheet may have changed since this data sheet was published. The latest information is available on the Internet at URL <http://www.semiconductors.philips.com>.
3. For data sheets describing multiple type numbers, the highest-level product status determines the data sheet status.

DEFINITIONS

Short-form specification — The data in a short-form specification is extracted from a full data sheet with the same type number and title. For detailed information see the relevant data sheet or data handbook.

Limiting values definition — Limiting values given are in accordance with the Absolute Maximum Rating System (IEC 60134). Stress above one or more of the limiting values may cause permanent damage to the device. These are stress ratings only and operation of the device at these or at any other conditions above those given in the Characteristics sections of the specification is not implied. Exposure to limiting values for extended periods may affect device reliability.

Application information — Applications that are described herein for any of these products are for illustrative purposes only. Philips Semiconductors make no representation or warranty that such applications will be suitable for the specified use without further testing or modification.

DISCLAIMERS

Life support applications — These products are not designed for use in life support appliances, devices, or systems where malfunction of these products can reasonably be expected to result in personal injury. Philips Semiconductors customers using or selling these products for use in such applications do so at their own risk and agree to fully indemnify Philips Semiconductors for any damages resulting from such application.

Right to make changes — Philips Semiconductors reserves the right to make changes in the products - including circuits, standard cells, and/or software - described or contained herein in order to improve design and/or performance. When the product is in full production (status 'Production'), relevant changes will be communicated via a Customer Product/Process Change Notification (CPCN). Philips Semiconductors assumes no responsibility or liability for the use of any of these products, conveys no licence or title under any patent, copyright, or mask work right to these products, and makes no representations or warranties that these products are free from patent, copyright, or mask work right infringement, unless otherwise specified.

Philips Semiconductors – a worldwide company

Contact information

For additional information please visit <http://www.semiconductors.philips.com>. Fax: +31 40 27 24825

For sales offices addresses send e-mail to: sales.addresses@www.semiconductors.philips.com.

EEPW.com.cn 电子世界

© Koninklijke Philips Electronics N.V. 2004

SCA76

All rights are reserved. Reproduction in whole or in part is prohibited without the prior written consent of the copyright owner.

The information presented in this document does not form part of any quotation or contract, is believed to be accurate and reliable and may be changed without notice. No liability will be accepted by the publisher for any consequence of its use. Publication thereof does not convey nor imply any license under patent- or other industrial or intellectual property rights.

Printed in The Netherlands

R20/02/pp17

Date of release: 2004 Feb 05

Document order number: 9397 750 12674

Let's make things better.

**Philips
Semiconductors**



PHILIPS