

## 74LVT2240 • 74LVTH2240

### Low Voltage Inverting Octal Buffer/Line Driver with 3-STATE Outputs

#### General Description

The LVT2240 and LVTH2240 are inverting octal buffers and line drivers designed to be employed as memory address drivers, clock drivers and bus oriented transmitters or receivers which provides improved PC board density. The equivalent 25Ω-Series resistors helps reduce output overshoot and undershoot.

The LVTH2240 data inputs include bushold, eliminating the need for external pull-up resistors to hold unused inputs.

These inverting octal buffers and line drivers are designed for low-voltage (3.3V)  $V_{CC}$  applications, but with the capability to provide a TTL interface to a 5V environment. The LVT2240 and LVTH2240 are fabricated with an advanced BiCMOS technology to achieve high speed operation similar to 5V ABT while maintaining low power dissipation.

#### Features

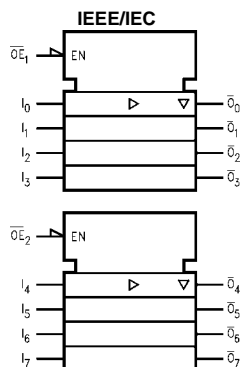
- Input and output interface capability to systems at 5V  $V_{CC}$
- Equivalent 25Ω-Series resistors on outputs
- Bushold data inputs eliminate the need for external pull-up resistors to hold unused inputs (74LVTH2240), also available without bushold feature (74LVT2240).
- Live insertion/extraction permitted
- Power Up/Down high impedance provides glitch-free bus loading
- Outputs source/sink -12 mA/+12 mA
- Latch-up performance exceeds 500 mA

#### Ordering Code:

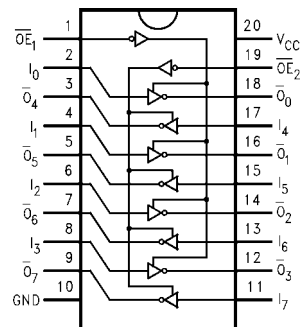
Order Number	Package Number	Package Description
74LVT2240WM	M20B	20-Lead Small Outline Integrated Circuit (SOIC), JEDEC MS-013, 0.300 Wide
74LVT2240SJ	M20D	20-Lead Small Outline Package (SOP), EIAJ TYPE II, 5.3mm Wide
74LVT2240MTC	MTC20	20-Lead Thin Shrink Small Outline Package (TSSOP), JEDEC MO-153, 4.4mm Wide
74LVTH2240WM	M20B	20-Lead Small Outline Integrated Circuit (SOIC), JEDEC MS-013, 0.300 Wide
74LVTH2240SJ	M20D	20-Lead Small Outline Package (SOP), EIAJ TYPE II, 5.3mm Wide
74LVTH2240MTC	MTC20	20-Lead Thin Shrink Small Outline Package (TSSOP), JEDEC MO-153, 4.4mm Wide

Devices also available in Tape and Reel. Specify by appending suffix letter "X" to the ordering code.

#### Logic Symbol



#### Connection Diagram



## Pin Descriptions

Pin Names	Description
$\overline{OE}_1, \overline{OE}_2$	3-STATE Output Enable Inputs
$I_0-I_7$	Inputs
$\overline{O}_0-\overline{O}_7$	Outputs

## Truth Tables

Inputs		Outputs (Pins 12, 14, 16, 18)
$\overline{OE}_1$	$I_n$	
L	L	H
L	H	L
H	X	Z

Inputs		Outputs (Pins 3, 5, 7, 9)
$\overline{OE}_2$	$I_n$	
L	L	H
L	H	L
H	X	Z

H = HIGH Voltage Level  
 L = LOW Voltage Level  
 X = Immaterial  
 Z = High Impedance

EEPW 电子产品世界  
 .com.cn

Absolute Maximum Ratings (Note 1)				
Symbol	Parameter	Value	Conditions	Units
$V_{CC}$	Supply Voltage	-0.5 to +4.6		V
$V_I$	DC Input Voltage	-0.5 to +7.0		V
$V_O$	DC Output Voltage	-0.5 to +7.0	Output in 3-STATE	V
		-0.5 to +7.0	Output in HIGH or LOW State (Note 2)	V
$I_{IK}$	DC Input Diode Current	-50	$V_I < GND$	mA
$I_{OK}$	DC Output Diode Current	-50	$V_O < GND$	mA
$I_O$	DC Output Current	64	$V_O > V_{CC}$ Output at HIGH State	mA
		128	$V_O > V_{CC}$ Output at LOW State	
$I_{CC}$	DC Supply Current per Supply Pin	$\pm 64$		mA
$I_{GND}$	DC Ground Current per Ground Pin	$\pm 128$		mA
$T_{STG}$	Storage Temperature	-65 to +150		$^{\circ}C$

Recommended Operating Conditions				
Symbol	Parameter	Min	Max	Units
$V_{CC}$	Supply Voltage	2.7	3.6	V
$V_I$	Input Voltage	0	5.5	V
$I_{OH}$	HIGH-Level Output Current		-12	mA
$I_{OL}$	LOW-Level Output Current		12	
$T_A$	Free-Air Operating Temperature	-40	85	$^{\circ}C$
$\Delta t/\Delta V$	Input Edge Rate, $V_{IN} = 0.8V-2.0V$ , $V_{CC} = 3.0V$	0	10	ns/V

**Note 1:** Absolute Maximum continuous ratings are those values beyond which damage to the device may occur. Exposure to these conditions or conditions beyond those indicated may adversely affect device reliability. Functional operation under absolute maximum rated conditions is not implied.

**Note 2:**  $I_O$  Absolute Maximum Rating must be observed.

DC Electrical Characteristics								
Symbol	Parameter	$V_{CC}$ (V)	$T_A = -40^{\circ}C$ to $+85^{\circ}C$			Units	Conditions	
			Min	Typ (Note 3)	Max			
$V_{IK}$	Input Clamp Diode Voltage	2.7			-1.2	V	$I_I = -18$ mA	
$V_{IH}$	Input HIGH Voltage	2.7-3.6	2.0			V	$V_O \leq 0.1V$ or $V_O \geq V_{CC} - 0.1V$	
$V_{IL}$	Input LOW Voltage	2.7-3.6			0.8			
$V_{OH}$	Output HIGH Voltage	2.7-3.6	$V_{CC} - 0.2$			V	$I_{OH} = -100$ $\mu A$	
		3.0	2.0			V	$I_{OH} = -12$ mA	
$V_{OL}$	Output LOW Voltage	2.7			0.2	V	$I_{OL} = 100$ $\mu A$	
		3.0			0.8	V	$I_{OL} = 12$ mA	
$I_{I(HOLD)}$ (Note 4)	Bushold Input Minimum Drive	3.0	75			$\mu A$	$V_I = 0.8V$	
			-75			$\mu A$	$V_I = 2.0V$	
$I_{I(OD)}$ (Note 4)	Bushold Input Over-Drive Current to Change State	3.0	500			$\mu A$	(Note 5)	
			-500			$\mu A$	(Note 6)	
$I_I$	Input Current	3.6			10	$\mu A$	$V_I = 5.5V$	
		Control Pins	3.6			$\pm 1$	$\mu A$	$V_I = 0V$ or $V_{CC}$
		Data Pins	3.6			-5	$\mu A$	$V_I = 0V$
					1	$\mu A$	$V_I = V_{CC}$	
$I_{OFF}$	Power Off Leakage Current	0			$\pm 100$	$\mu A$	$0V \leq V_I$ or $V_O \leq 5.5V$	
$I_{PU/PD}$	Power up/down 3-STATE Output Current	0-1.5V			$\pm 100$	$\mu A$	$V_O = 0.5V$ to $3.0V$ $V_I = GND$ or $V_{CC}$	
$I_{OZL}$	3-STATE Output Leakage Current	3.6			-5	$\mu A$	$V_O = 0.5V$	
$I_{OZH}$	3-STATE Output Leakage Current	3.6			5	$\mu A$	$V_O = 3.0V$	
$I_{OZH+}$	3-STATE Output Leakage Current	3.6			10	$\mu A$	$V_{CC} < V_O \leq 5.5V$	
$I_{CCH}$	Power Supply Current	3.6			0.19	mA	Outputs HIGH	
$I_{CCL}$	Power Supply Current	3.6			5	mA	Outputs LOW	
$I_{CCZ}$	Power Supply Current	3.6			0.19	mA	Outputs Disabled	

**DC Electrical Characteristics** (Continued)

Symbol	Parameter	V <sub>CC</sub> (V)	T <sub>A</sub> = -40°C to +85°C			Units	Conditions
			Min	Typ (Note 3)	Max		
I <sub>CCZ+</sub>	Power Supply Current	3.6			0.19	mA	V <sub>CC</sub> ≤ V <sub>O</sub> ≤ 5.5V, Outputs Disabled
ΔI <sub>CC</sub>	Increase in Power Supply Current (Note 7)	3.6			0.2	mA	One Input at V <sub>CC</sub> - 0.6V Other Inputs at V <sub>CC</sub> or GND

**Note 3:** All typical values are at V<sub>CC</sub> = 3.3V, T<sub>A</sub> = 25°C.

**Note 4:** Applies to bushold versions only (74LVTH2240).

**Note 5:** An external driver must source at least the specified current to switch from LOW-to-HIGH.

**Note 6:** An external driver must sink at least the specified current to switch from HIGH-to-LOW.

**Note 7:** This is the increase in supply current for each, input that is at the specified voltage level rather than V<sub>CC</sub> or GND.

**Dynamic Switching Characteristics** (Note 8)

Symbol	Parameter	V <sub>CC</sub> (V)	T <sub>A</sub> = 25°C			Units	Conditions C <sub>L</sub> = 50 pF, R <sub>L</sub> = 500Ω (Note 9)
			Min	Typ	Max		
V <sub>OLP</sub>	Quiet Output Maximum Dynamic V <sub>OL</sub>	3.3		0.8		V	
V <sub>OLV</sub>	Quiet Output Minimum Dynamic V <sub>OL</sub>	3.3		-0.8		V	

**Note 8:** Characterized in SOIC package. Guaranteed parameter, but not tested.

**Note 9:** Max number of outputs defined as (n). n-1 data inputs are driven 0V to 3V. Output under test held LOW.

**AC Electrical Characteristics**

Symbol	Parameter	T <sub>A</sub> = -40°C to +85°C C <sub>L</sub> = 50 pF, R <sub>L</sub> = 500Ω					Units
		V <sub>CC</sub> = 3.3V ± 0.3V			V <sub>CC</sub> = 2.7V		
		Min	Typ (Note 10)	Max	Min	Max	
t <sub>PLH</sub>	Propagation Delay Data to Output	1.0		4.0	1.0	4.8	ns
t <sub>PHL</sub>		1.0		4.1	1.0	4.4	
t <sub>PZH</sub>	Output Enable Time	1.0		5.0	1.0	6.0	ns
t <sub>PZL</sub>		1.1		5.0	1.1	5.6	
t <sub>PHZ</sub>	Output Disable Time	1.9		4.8	1.9	5.5	ns
t <sub>PLZ</sub>		1.8		4.5	1.8	4.5	
t <sub>OSHL</sub>	Output to Output Skew (Note 11)			1.0		1.0	ns
t <sub>OSLH</sub>							

**Note 10:** All typical values are at V<sub>CC</sub> = 3.3V, T<sub>A</sub> = 25°C.

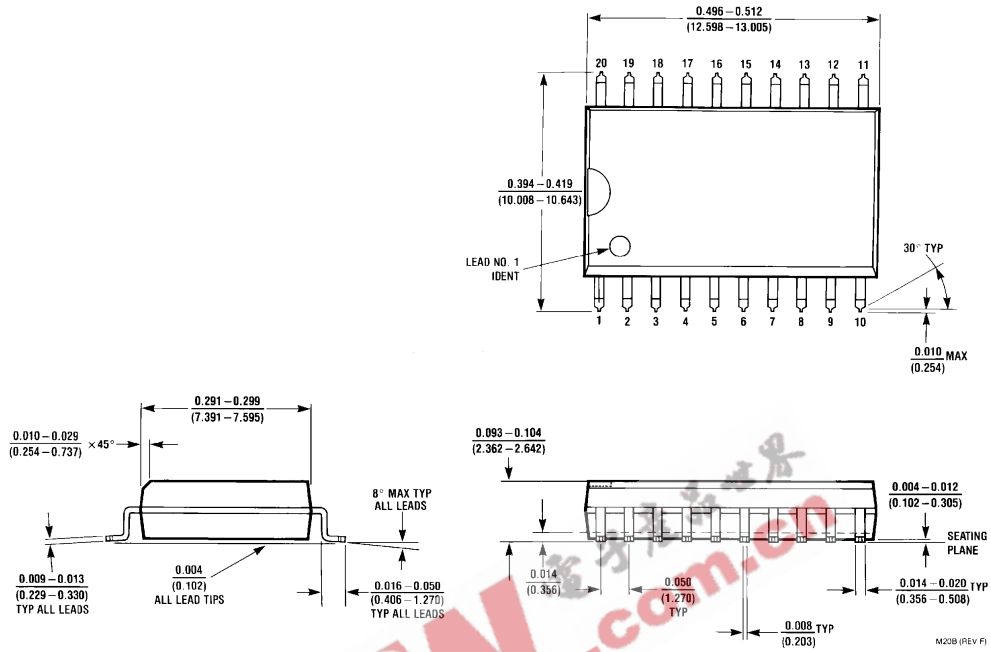
**Note 11:** Skew is defined as the absolute value of the difference between the actual propagation delay for any two separate outputs of the same device. The specification applies to any outputs switching in the same direction, either HIGH-to-LOW (t<sub>OSHL</sub>) or LOW-to-HIGH (t<sub>OSLH</sub>).

**Capacitance** (Note 12)

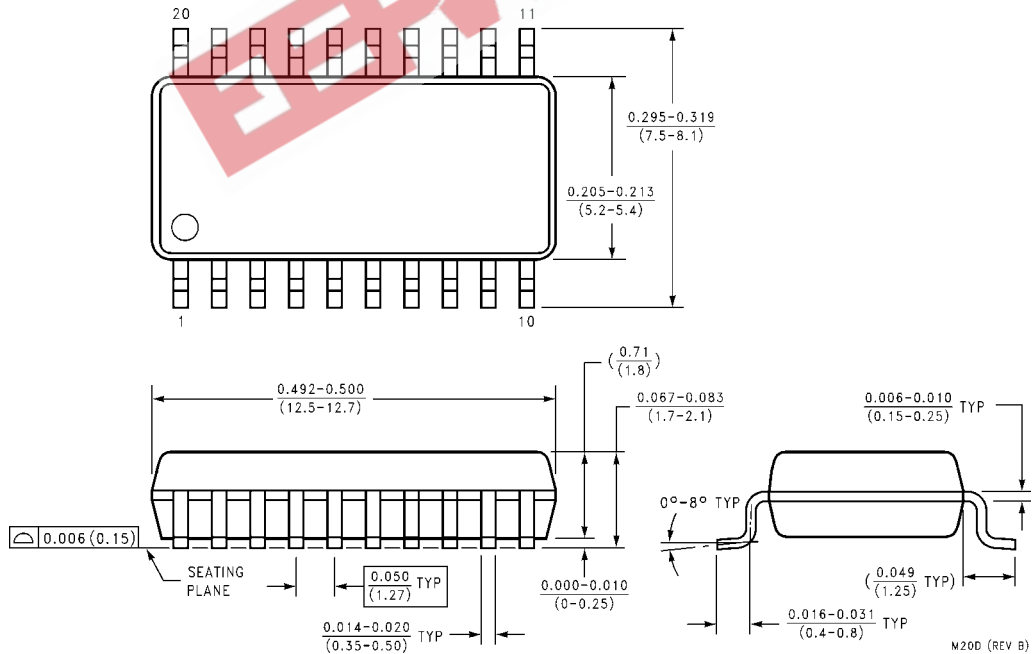
Symbol	Parameter	Conditions	Typical	Units
C <sub>IN</sub>	Input Capacitance	V <sub>CC</sub> = 0V, V <sub>I</sub> = 0V or V <sub>CC</sub>	3	pF
C <sub>OUT</sub>	Output Capacitance	V <sub>CC</sub> = 3.0V, V <sub>O</sub> = 0V or V <sub>CC</sub>	6	pF

**Note 12:** Capacitance is measured at frequency f = 1 MHz, per MIL-STD-883B, Method 3012.

**Physical Dimensions** inches (millimeters) unless otherwise noted



**20-Lead Small Outline Integrated Circuit (SOIC), JEDEC MS-013, 0.300 Wide Package Number M20B**



**20-Lead Small Outline Package (SOP), EIAJ TYPE II, 5.3mm Wide Package Number M20D**

### Physical Dimensions inches (millimeters) unless otherwise noted (Continued)

**20-Lead Thin Shrink Small Outline Package (TSSOP), JEDEC MO-153, 4.4mm Wide Package Number MTC20**

Notes:

- CONFORMS TO JEDEC REGISTRATION MO-153, VARIATION AC, REF NOTE 6, DATE 7/93.
- DIMENSIONS ARE IN MILLIMETERS.
- DIMENSIONS ARE EXCLUSIVE OF BURRS, MOLDS FLASH, AND TIE BAR EXTRUSIONS.
- DIMENSIONS AND TOLERANCES PER ANSI Y14.5M, 1982.

www.fairchildsemi.com