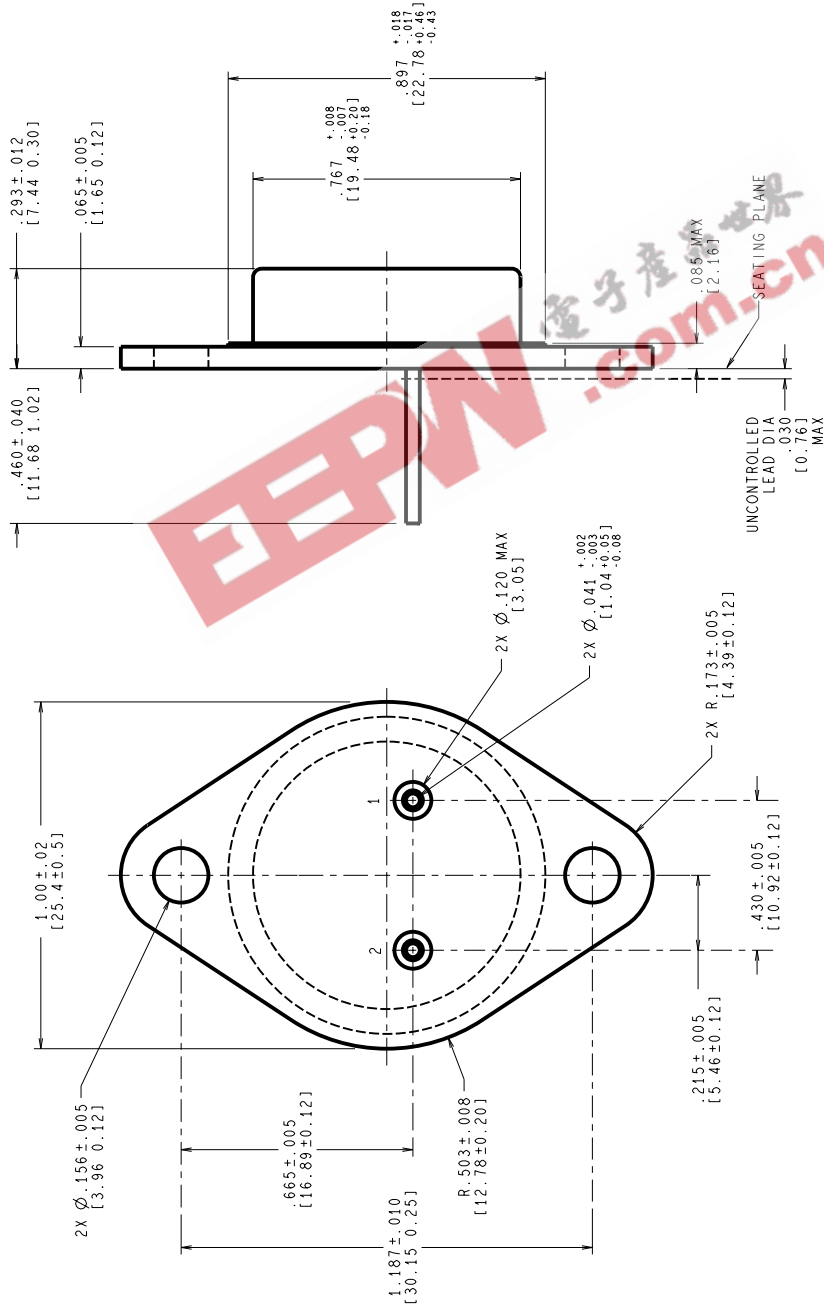


REVISIONS			
LTR	DESCRIPTION	E.C.N.	DATE
E	REDRAW ON PROVEE: UPDATE MIL/AERO STAMP: NOTE 2: MIL-PRF-38535 WAS MIL-I-38535.	11155	09/15/95 MS/



CONTROLLING DIMENSION IS INCH
VALUES IN [] ARE MILLIMETERS

NOTES: UNLESS OTHERWISE SPECIFIED

1. STANDARD HEADER TYPE SOLID BASE.
2. STANDARD LEAD FINISH:
PER MIL-PRF-38535 TYPE X OR EQUIVALENT.
3. LEAD NOT BENT GREATER THAN 15°.
4. DIMENSIONS BASED ON JEDEC STANDARD TO-3,
PUBLICATION 95, PAGE 98.

MIL-PRF-38535
CONFIGURATION CONTROL

APPROVALS	DATE
DRAWN: MARTA SUCIYI	09/15/95
DTG. CHK.	
ENGR. CHK.	

National Semiconductor	
2900 Semiconductor dr. Santa Clara, CA 95052-8090	
METAL CAN, TO-3, 2 LEAD, LOW PROFILE	
SCALE: N/A	SIZE: C
DRAWING NUMBER: MKT-K02C	REV: E

PROJECTION	UNION
DO NOT SCALE DRAWING	SHEET 1 of 1