

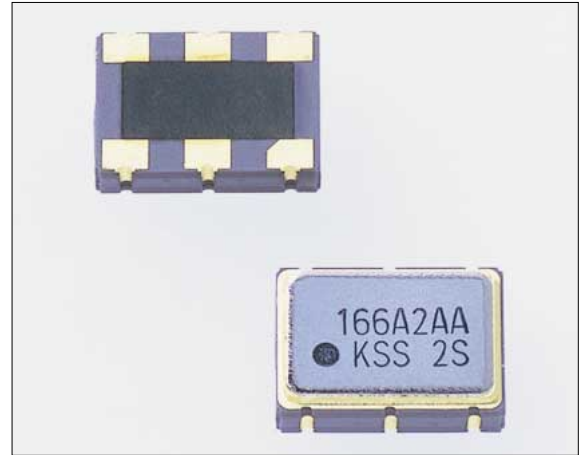
FSO-2D

Features

- C-MOS Output 3.3V.
- Operation at fundamental High Frequency.

Applications

- SONET/SDH.
- 1 Gbit Ethernet, 10Gbit Ethernet.
- Fiber Channel.



Original Size

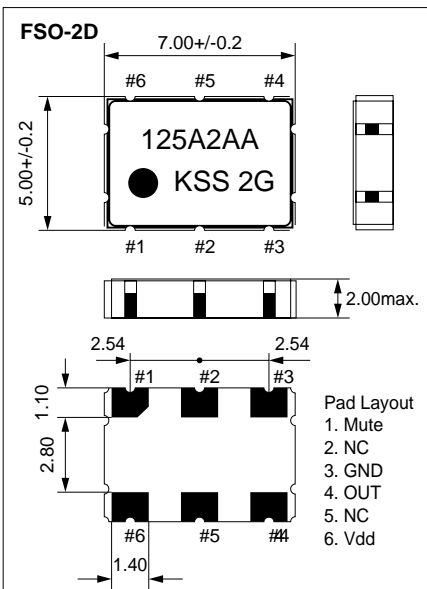
Specifications

Type	FSO-2D
Frequency Range	100~170MHz
Standard Frequency	Table 1
Frequency Stability	$\pm 100 \times 10^{-6}$ (All over)
Operation Temperature Range	$\pm 0 \sim +70^{\circ}\text{C}$
Storage Temperature Range	$-40 \sim +85^{\circ}\text{C}$
Supply Voltage	3.3V $\pm 5\%$
Current	60mA max.
Load	15pF
Output Level	Voh: Vdd $\times 0.9$ min./Vol: Vdd $\times 0.1$ max.
Symmetry	50% $\pm 10\%$
Raise Time/Fall Time	2ns max. (20%,80%)
Start-up Time	10ms max.
Weight	0.2g

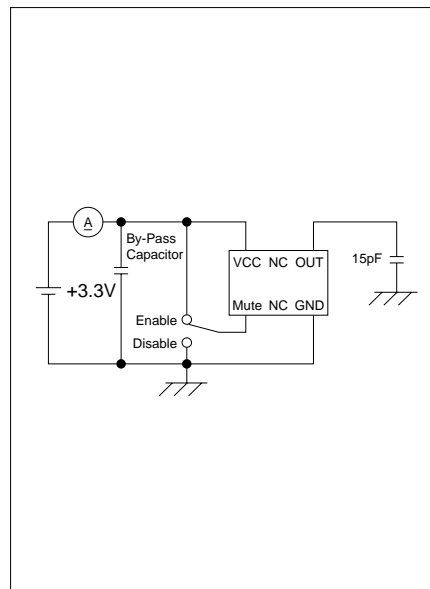
Table 1 Original Frequencies

Table 1	
Standard Frequency (MHz)	
100	
106.25	
125	
133	
155.52	
156.25	
161.1328	
166	
166.6285	
167	

Outline



Typical External Component Connection



Land Pattern (reference)

