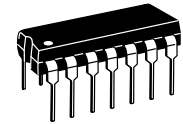
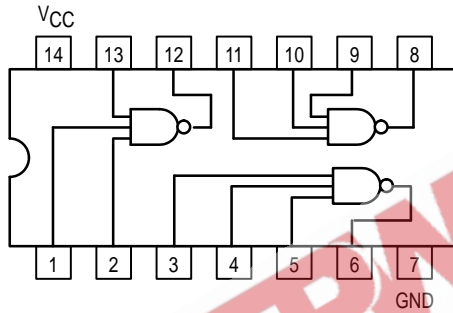




# MC74AC10 MC74ACT10

## Triple 3-Input NAND Gate

- Outputs Source/Sink 24 mA
- 'ACT10 Has TTL Compatible Inputs



N SUFFIX  
CASE 646-06  
PLASTIC



D SUFFIX  
CASE 751A-03  
PLASTIC

### MAXIMUM RATINGS\*

| Symbol    | Parameter                                 | Value                  | Unit        |
|-----------|---|------------------------|-------------|
| $V_{CC}$  | DC Supply Voltage (Referenced to GND)     | -0.5 to +7.0           | V           |
| $V_{in}$  | DC Input Voltage (Referenced to GND)      | -0.5 to $V_{CC} + 0.5$ | V           |
| $V_{out}$ | DC Output Voltage (Referenced to GND)     | -0.5 to $V_{CC} + 0.5$ | V           |
| $I_{in}$  | DC Input Current, per Pin                 | $\pm 20$               | mA          |
| $I_{out}$ | DC Output Sink/Source Current, per Pin    | $\pm 50$               | mA          |
| $I_{CC}$  | DC $V_{CC}$ or GND Current per Output Pin | $\pm 50$               | mA          |
| $T_{stg}$ | Storage Temperature                       | -65 to +150            | $^{\circ}C$ |

\* Maximum Ratings are those values beyond which damage to the device may occur. Functional operation should be restricted to the Recommended Operating Conditions.

# MC74AC10 MC74ACT10

## RECOMMENDED OPERATING CONDITIONS

| Symbol                             | Parameter   | Min                     | Typ | Max             | Unit |      |
|------------------------------------|---|-------------------------|-----|-----------------|------|------|
| V <sub>CC</sub>                    | Supply Voltage  | 'AC                     | 2.0 | 5.0             | 6.0  | V    |
|                                    |   | 'ACT                    | 4.5 | 5.0             | 5.5  |      |
| V <sub>in</sub> , V <sub>out</sub> | DC Input Voltage, Output Voltage (Ref. to GND)                          | 0                       |     | V <sub>CC</sub> | V    |      |
| t <sub>r</sub> , t <sub>f</sub>    | Input Rise and Fall Time (Note 1)<br>'AC Devices except Schmitt Inputs  | V <sub>CC</sub> @ 3.0 V |     | 150             |      | ns/V |
|                                    |   | V <sub>CC</sub> @ 4.5 V |     | 40              |      |      |
|                                    |   | V <sub>CC</sub> @ 5.5 V |     | 25              |      |      |
| t <sub>r</sub> , t <sub>f</sub>    | Input Rise and Fall Time (Note 2)<br>'ACT Devices except Schmitt Inputs | V <sub>CC</sub> @ 4.5 V |     | 10              |      | ns/V |
|                                    |   | V <sub>CC</sub> @ 5.5 V |     | 8.0             |      |      |
| T <sub>J</sub>                     | Junction Temperature (PDIP)   |                         |     | 140             | °C   |      |
| T <sub>A</sub>                     | Operating Ambient Temperature Range                                     | -40                     | 25  | 85              | °C   |      |
| I <sub>OH</sub>                    | Output Current — High   |                         |     | -24             | mA   |      |
| I <sub>OL</sub>                    | Output Current — Low  |                         |     | 24              | mA   |      |

1. V<sub>in</sub> from 30% to 70% V<sub>CC</sub>; see individual Data Sheets for devices that differ from the typical input rise and fall times.

2. V<sub>in</sub> from 0.8 V to 2.0 V; see individual Data Sheets for devices that differ from the typical input rise and fall times.

## DC CHARACTERISTICS

| Symbol           | Parameter                         | V <sub>CC</sub><br>(V) | 74AC                   |                   | 74AC                            |                   | Unit  | Conditions |
|------------------|-----------------------------------|------------------------|------------------------|-------------------|---------------------------------|-------------------|---|------------|
|                  |                                   |                        | T <sub>A</sub> = +25°C |                   | T <sub>A</sub> = -40°C to +85°C |                   |   |            |
|                  |                                   |                        | Typ                    | Guaranteed Limits | Typ                             | Guaranteed Limits |   |            |
| V <sub>IH</sub>  | Minimum High Level Input Voltage  | 3.0                    | 1.5                    | 2.1               | 2.1                             | V                 | V <sub>OUT</sub> = 0.1 V<br>or V <sub>CC</sub> - 0.1 V  |            |
|                  |                                   | 4.5                    | 2.25                   | 3.15              | 3.15                            |                   |   |            |
|                  |                                   | 5.5                    | 2.75                   | 3.85              | 3.85                            |                   |   |            |
| V <sub>IL</sub>  | Maximum Low Level Input Voltage   | 3.0                    | 1.5                    | 0.9               | 0.9                             | V                 | V <sub>OUT</sub> = 0.1 V<br>or V <sub>CC</sub> - 0.1 V  |            |
|                  |                                   | 4.5                    | 2.25                   | 1.35              | 1.35                            |                   |   |            |
|                  |                                   | 5.5                    | 2.75                   | 1.65              | 1.65                            |                   |   |            |
| V <sub>OH</sub>  | Minimum High Level Output Voltage | 3.0                    | 2.99                   | 2.9               | 2.9                             | V                 | I <sub>OUT</sub> = -50 μA   |            |
|                  |                                   | 4.5                    | 4.49                   | 4.4               | 4.4                             |                   |   |            |
|                  |                                   | 5.5                    | 5.49                   | 5.4               | 5.4                             |                   |   |            |
|                  |                                   | 3.0                    |                        | 2.56              | 2.46                            | V                 | *V <sub>IN</sub> = V <sub>IL</sub> or V <sub>IH</sub><br>-12 mA<br>I <sub>OH</sub> -24 mA<br>-24 mA |            |
|                  |                                   | 4.5                    |                        | 3.86              | 3.76                            |                   |   |            |
|                  |                                   | 5.5                    |                        | 4.86              | 4.76                            |                   |   |            |
| V <sub>OL</sub>  | Maximum Low Level Output Voltage  | 3.0                    | 0.002                  | 0.1               | 0.1                             | V                 | I <sub>OUT</sub> = 50 μA  |            |
|                  |                                   | 4.5                    | 0.001                  | 0.1               | 0.1                             |                   |   |            |
|                  |                                   | 5.5                    | 0.001                  | 0.1               | 0.1                             |                   |   |            |
|                  |                                   | 3.0                    |                        | 0.36              | 0.44                            | V                 | *V <sub>IN</sub> = V <sub>IL</sub> or V <sub>IH</sub><br>12 mA<br>I <sub>OL</sub> 24 mA<br>24 mA    |            |
|                  |                                   | 4.5                    |                        | 0.36              | 0.44                            |                   |   |            |
|                  |                                   | 5.5                    |                        | 0.36              | 0.44                            |                   |   |            |
| I <sub>IN</sub>  | Maximum Input Leakage Current     | 5.5                    |                        | ±0.1              | ±1.0                            | μA                | V <sub>I</sub> = V <sub>CC</sub> , GND  |            |
| I <sub>OLD</sub> | †Minimum Dynamic Output Current   | 5.5                    |                        |                   | 75                              | mA                | V <sub>OLD</sub> = 1.65 V Max   |            |
| I <sub>OHD</sub> |                                   | 5.5                    |                        |                   | -75                             | mA                | V <sub>OHD</sub> = 3.85 V Min   |            |
| I <sub>CC</sub>  | Maximum Quiescent Supply Current  | 5.5                    |                        | 4.0               | 40                              | μA                | V <sub>IN</sub> = V <sub>CC</sub> or GND  |            |

\* All outputs loaded; thresholds on input associated with output under test.

† Maximum test duration 2.0 ms, one output loaded at a time.

Note: I<sub>IN</sub> and I<sub>CC</sub> @ 3.0 V are guaranteed to be less than or equal to the respective limit @ 5.5 V V<sub>CC</sub>.

# MC74AC10 MC74ACT10

## AC CHARACTERISTICS (For Figures and Waveforms — See Section 3)

| Symbol           | Parameter         | V <sub>CC</sub> * (V) | 74AC   |            |            | 74AC   |             | Unit | Fig. No. |
|------------------|-------------------|-----------------------|--|------------|------------|--|-------------|------|----------|
|                  |                   |                       | T <sub>A</sub> = +25°C<br>C <sub>L</sub> = 50 pF |            |            | T <sub>A</sub> = -40°C<br>to +85°C<br>C <sub>L</sub> = 50 pF |             |      |          |
|                  |                   |                       | Min  | Typ        | Max        | Min  | Max         |      |          |
| t <sub>PLH</sub> | Propagation Delay | 3.3<br>5.0            | 1.5<br>1.5                                       | 6.0<br>4.5 | 9.5<br>7.0 | 1.0<br>1.0   | 10.5<br>8.0 | ns   | 3-5      |
| t <sub>PHL</sub> | Propagation Delay | 3.3<br>5.0            | 1.5<br>1.5                                       | 5.5<br>4.0 | 8.5<br>6.0 | 1.0<br>1.0   | 10.0<br>6.5 | ns   | 3-5      |

\* Voltage Range 3.3 V is 3.3 V ±0.3 V.  
Voltage Range 5.0 V is 5.0 V ±0.5 V.

## DC CHARACTERISTICS

| Symbol            | Parameter                              | V <sub>CC</sub> (V) | 74ACT                  |                   | 74ACT                           |    | Unit  | Conditions |
|-------------------|--|---------------------|------------------------|-------------------|---------------------------------|----|---|------------|
|                   |  |                     | T <sub>A</sub> = +25°C |                   | T <sub>A</sub> = -40°C to +85°C |    |   |            |
|                   |  |                     | Typ                    | Guaranteed Limits |                                 |    |   |            |
| V <sub>IH</sub>   | Minimum High Level Input Voltage       | 4.5                 | 1.5                    | 2.0               | 2.0                             | V  | V <sub>OUT</sub> = 0.1 V<br>or V <sub>CC</sub> - 0.1 V                                    |            |
|                   |  | 5.5                 | 1.5                    | 2.0               | 2.0                             |    |   |            |
| V <sub>IL</sub>   | Maximum Low Level Input Voltage        | 4.5                 | 1.5                    | 0.8               | 0.8                             | V  | V <sub>OUT</sub> = 0.1 V<br>or V <sub>CC</sub> - 0.1 V                                    |            |
|                   |  | 5.5                 | 1.5                    | 0.8               | 0.8                             |    |   |            |
| V <sub>OH</sub>   | Minimum High Level Output Voltage      | 4.5                 | 4.49                   | 4.4               | 4.4                             | V  | I <sub>OUT</sub> = -50 μA   |            |
|                   |  | 5.5                 | 5.49                   | 5.4               | 5.4                             |    |   |            |
|                   |  | 4.5                 |                        | 3.86              | 3.76                            | V  | *V <sub>IN</sub> = V <sub>IL</sub> or V <sub>IH</sub><br>-24 mA<br>I <sub>OH</sub> -24 mA |            |
|                   |  | 5.5                 |                        | 4.86              | 4.76                            |    |   |            |
| V <sub>OL</sub>   | Maximum Low Level Output Voltage       | 4.5                 | 0.001                  | 0.1               | 0.1                             | V  | I <sub>OUT</sub> = 50 μA  |            |
|                   |  | 5.5                 | 0.001                  | 0.1               | 0.1                             |    |   |            |
|                   |  | 4.5                 |                        | 0.36              | 0.44                            | V  | *V <sub>IN</sub> = V <sub>IL</sub> or V <sub>IH</sub><br>24 mA<br>I <sub>OL</sub> 24 mA   |            |
|                   |  | 5.5                 |                        | 0.36              | 0.44                            |    |   |            |
| I <sub>IN</sub>   | Maximum Input Leakage Current          | 5.5                 |                        | ±0.1              | ±1.0                            | μA | V <sub>I</sub> = V <sub>CC</sub> , GND  |            |
| ΔI <sub>CCT</sub> | Additional Max. I <sub>CC</sub> /Input | 5.5                 | 0.6                    |                   | 1.5                             | mA | V <sub>I</sub> = V <sub>CC</sub> - 2.1 V  |            |
| I <sub>OLD</sub>  | †Minimum Dynamic Output Current        | 5.5                 |                        |                   | 75                              | mA | V <sub>OLD</sub> = 1.65 V Max   |            |
| I <sub>OHD</sub>  |  | 5.5                 |                        |                   | -75                             | mA | V <sub>OHD</sub> = 3.85 V Min   |            |
| I <sub>CC</sub>   | Maximum Quiescent Supply Current       | 5.5                 |                        | 4.0               | 40                              | μA | V <sub>IN</sub> = V <sub>CC</sub> or GND  |            |

\* All outputs loaded; thresholds on input associated with output under test.

† Maximum test duration 2.0 ms, one output loaded at a time.

## MC74AC10 MC74ACT10

### AC CHARACTERISTICS (For Figures and Waveforms — See Section 3)

| Symbol           | Parameter         | V <sub>CC</sub> *<br>(V) | 74ACT  |     |     | 74ACT  |      | Unit | Fig. No. |
|------------------|-------------------|--------------------------|--|-----|-----|--|------|------|----------|
|                  |                   |                          | T <sub>A</sub> = +25°C<br>C <sub>L</sub> = 50 pF |     |     | T <sub>A</sub> = -40°C<br>to +85°C<br>C <sub>L</sub> = 50 pF |      |      |          |
|                  |                   |                          | Min  | Typ | Max | Min  | Max  |      |          |
| t <sub>PLH</sub> | Propagation Delay | 5.0                      | 1.0  |     | 9.0 | 1.0  | 10.0 | ns   | 3-5      |
| t <sub>PHL</sub> | Propagation Delay | 5.0                      | 1.0  |     | 9.0 | 1.0  | 9.5  | ns   | 3-5      |

\* Voltage Range 5.0 V is 5.0 V ± 0.5 V.

### CAPACITANCE

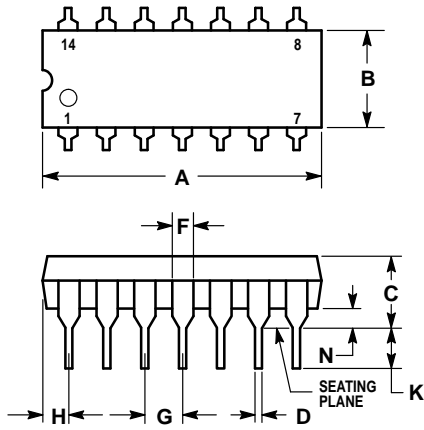
| Symbol          | Parameter                     | Value<br>Typ | Unit | Test Conditions         |
|-----------------|-------------------------------|--------------|------|-------------------------|
| C <sub>IN</sub> | Input Capacitance             | 4.5          | pF   | V <sub>CC</sub> = 5.0 V |
| CPD             | Power Dissipation Capacitance | 25           | pF   | V <sub>CC</sub> = 5.0 V |

EEPW.com.cn 电子产品世界

# MC74AC10 MC74ACT10

## OUTLINE DIMENSIONS

### N SUFFIX PLASTIC DIP PACKAGE CASE 646-06 ISSUE L

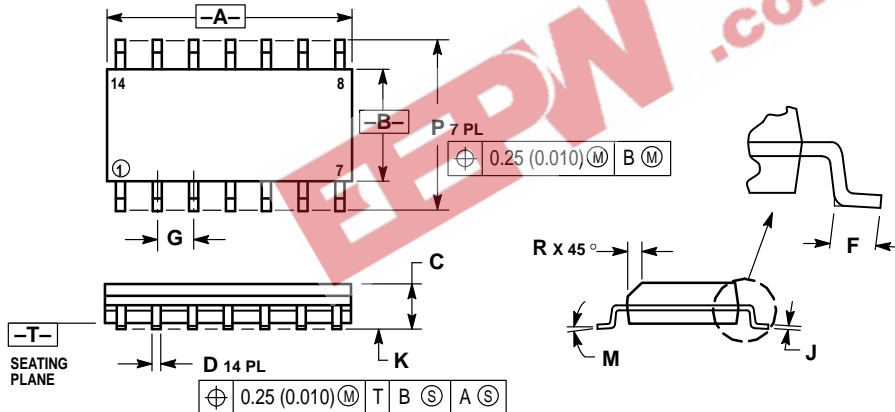


NOTES:

- LEADS WITHIN 0.13 (0.005) RADIUS OF TRUE POSITION AT SEATING PLANE AT MAXIMUM MATERIAL CONDITION.
- DIMENSION L TO CENTER OF LEADS WHEN FORMED PARALLEL.
- DIMENSION B DOES NOT INCLUDE MOLD FLASH.
- ROUNDED CORNERS OPTIONAL.

| DIM | INCHES    |       | MILLIMETERS |       |
|-----|-----------|-------|-------------|-------|
|     | MIN       | MAX   | MIN         | MAX   |
| A   | 0.715     | 0.770 | 18.16       | 19.56 |
| B   | 0.240     | 0.260 | 6.10        | 6.60  |
| C   | 0.145     | 0.185 | 3.69        | 4.69  |
| D   | 0.015     | 0.021 | 0.38        | 0.53  |
| F   | 0.040     | 0.070 | 1.02        | 1.78  |
| G   | 0.100 BSC |       | 2.54 BSC    |       |
| H   | 0.052     | 0.095 | 1.32        | 2.41  |
| J   | 0.008     | 0.015 | 0.20        | 0.38  |
| K   | 0.115     | 0.135 | 2.92        | 3.43  |
| L   | 0.300 BSC |       | 7.62 BSC    |       |
| M   | 0°        | 10°   | 0°          | 10°   |
| N   | 0.015     | 0.039 | 0.39        | 1.01  |

### D SUFFIX PLASTIC SOIC PACKAGE CASE 751A-03 ISSUE F



NOTES:

- DIMENSIONING AND TOLERANCING PER ANSI Y14.5M, 1982.
- CONTROLLING DIMENSION: MILLIMETER.
- DIMENSIONS A AND B DO NOT INCLUDE MOLD PROTRUSION.
- MAXIMUM MOLD PROTRUSION 0.15 (0.006) PER SIDE.
- DIMENSION D DOES NOT INCLUDE DAMBAR PROTRUSION. ALLOWABLE DAMBAR PROTRUSION SHALL BE 0.127 (0.005) TOTAL IN EXCESS OF THE D DIMENSION AT MAXIMUM MATERIAL CONDITION.

| DIM | MILLIMETERS |      | INCHES    |       |
|-----|-------------|------|-----------|-------|
|     | MIN         | MAX  | MIN       | MAX   |
| A   | 8.55        | 8.75 | 0.337     | 0.344 |
| B   | 3.80        | 4.00 | 0.150     | 0.157 |
| C   | 1.35        | 1.75 | 0.054     | 0.068 |
| D   | 0.35        | 0.49 | 0.014     | 0.019 |
| F   | 0.40        | 1.25 | 0.016     | 0.049 |
| G   | 1.27 BSC    |      | 0.050 BSC |       |
| J   | 0.19        | 0.25 | 0.008     | 0.009 |
| K   | 0.10        | 0.25 | 0.004     | 0.009 |
| M   | 0°          | 7°   | 0°        | 7°    |
| P   | 5.80        | 6.20 | 0.228     | 0.244 |
| R   | 0.25        | 0.50 | 0.010     | 0.019 |

Motorola reserves the right to make changes without further notice to any products herein. Motorola makes no warranty, representation or guarantee regarding the suitability of its products for any particular purpose, nor does Motorola assume any liability arising out of the application or use of any product or circuit, and specifically disclaims any and all liability, including without limitation consequential or incidental damages. "Typical" parameters can and do vary in different applications. All operating parameters, including "Typicals" must be validated for each customer application by customer's technical experts. Motorola does not convey any license under its patent rights nor the rights of others. Motorola products are not designed, intended, or authorized for use as components in systems intended for surgical implant into the body, or other applications intended to support or sustain life, or for any other application in which the failure of the Motorola product could create a situation where personal injury or death may occur. Should Buyer purchase or use Motorola products for any such unintended or unauthorized application, Buyer shall indemnify and hold Motorola and its officers, employees, subsidiaries, affiliates, and distributors harmless against all claims, costs, damages, and expenses, and reasonable attorney fees arising out of, directly or indirectly, any claim of personal injury or death associated with such unintended or unauthorized use, even if such claim alleges that Motorola was negligent regarding the design or manufacture of the part. Motorola and are registered trademarks of Motorola, Inc. Motorola, Inc. is an Equal Opportunity/Affirmative Action Employer.

**How to reach us:**

**USA/EUROPE:** Motorola Literature Distribution;  
P.O. Box 20912; Phoenix, Arizona 85036. 1-800-441-2447

**JAPAN:** Nippon Motorola Ltd.; Tatsumi-SPD-JLDC, Toshikatsu Otsuki,  
6F Seibu-Butsuryu-Center, 3-14-2 Tatsumi Koto-Ku, Tokyo 135, Japan. 03-3521-8315

**MFAX:** RMFAX0@email.sps.mot.com -TOUCHTONE (602) 244-6609  
**INTERNET:** http://Design-NET.com

**HONG KONG:** Motorola Semiconductors H.K. Ltd.; 8B Tai Ping Industrial Park,  
51 Ting Kok Road, Tai Po, N.T., Hong Kong. 852-26629298

