



LM78XX

LINEAR INTEGRATED CIRCUIT

3-TERMINAL 1A POSITIVE VOLTAGE REGULATOR

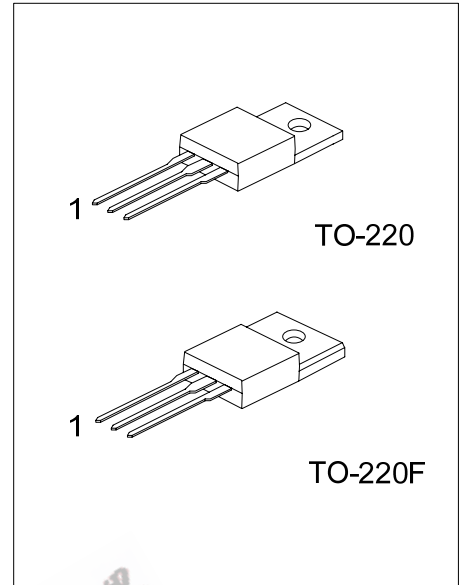
■ DESCRIPTION

The UTC **LM78XX** family is monolithic fixed voltage regulator integrated circuit. They are suitable for applications that required supply current up to 1 A.

■ FEATURES

- * Output current up to 1A
- * Fixed output voltage of 3.3V, 4.7V, 5V, 6V, 7V, 8V, 9V, 10V, 12V, 15V, 18V and 24V available
- * Thermal overload shutdown protection
- * Short circuit current limiting
- * Output transistor SOA protection

■ ORDERING INFORMATION



*Pb-free plating product number: LM78XXL

Order Number		Pin Assignment			Package	Packing
Normal	Lead Free Plating	1	2	3		
LM78xx-TA3-D-T	LM78xxL-TA3-D-T	I	G	O	TO-220	Tube
LM78xx-TF3-D-T	LM78xxL-TF3-D-T	I	G	O	TO-220F	Tube

Note: O: Output G: GND I: Input

<p>LM78xxL-TA3-D-T</p>	<p>(1)Packing Type (2)Pin Assignment (3)Package Type (4)Lead Plating (5)Output Voltage Code</p>	<p>(1) T: Tube (2) refer to Pin Assignment (3) TA3: TO-220, TF3: TO-220F (4) L: Lead Free Plating, Blank: Pb/Sn (5) xx: refer to Marking Information</p>
------------------------	---	--

■ MARKING INFORMATION

PACKAGE	VOLTAGE CODE	VOLTAGE CODE	MARKING
TO-220 TO-220F	33:3.3V	10:10V	
	47:4.7V	12:12V	
	05:5.0V	15:15V	
	06:6.0V	18:18V	
	07:7.0V	24:24V	
	08:8.0V		
	09:9.0V		

■ TEST CIRCUIT



■ ABSOLUTE MAXIMUM RATINGS

(Operating temperature range applies unless otherwise specified)

PARAMETER	SYMBOL	RATING	UNIT	
Input voltage	V_{IN}	$V_{OUT}=3.3\sim 18V$	35	V
		$V_{OUT}=24V$	40	V
Output Current	I_{OUT}	1	A	
Power Dissipation	P_D	Internally Limited	W	
Operating Junction Temperature	T_{OPR}	-20 ~ +150	°C	
Storage Temperature	T_{STG}	-55 ~ +150	°C	

Note Absolute maximum ratings are those values beyond which the device could be permanently damaged.

Absolute maximum ratings are stress ratings only and functional device operation is not implied.

■ THERMAL DATA

PARAMETER	SYMBOL	RATING	UNIT
Thermal Resistance	θ_{JA}	65	°C/W
	θ_{JC}	5	°C/W

■ ELECTRICAL CHARACTERISTICS

($I_{OUT}=0.5A$, $T_J=0^\circ C - 125^\circ C$, $C_1=0.33\mu F$, $C_o=0.1\mu F$, unless otherwise specified)(Note 1)

For UTC LM7833 ($V_{IN}=5.8V$)

PARAMETER	SYMBOL	TEST CONDITIONS	MIN	TYP	MAX	UNIT
Output Voltage	V_{OUT}	$T_J=25^\circ C$, $I_{OUT}=5mA - 1.0A$	3.168	3.30	3.432	V
		$V_{IN}=5.8V \sim 18.3V$, $I_{OUT}=5mA - 1.0A$, $P_D \leq 15W$	3.135		3.465	V
Dropout Voltage	V_D	$T_J=25^\circ C$		2.0		V
Load Regulation	ΔV_{OUT}	$T_J=25^\circ C$, $I_{OUT}=5mA - 1.0A$			33	mV
		$T_J=25^\circ C$, $I_{OUT}=0.25A - 0.75A$			17	mV
Line regulation	ΔV_{OUT}	$V_{IN}=5.8V \sim 18.3V$, $T_J=25^\circ C$			33	mV
		$V_{IN}=5.8V \sim 18.3V$, $T_J=25^\circ C$, $I_{OUT}=1.0A$			33	mV
Quiescent Current	I_Q	$T_J=25^\circ C$, $I_{OUT} \leq 1.0A$			8.0	mA
Quiescent Current Change	ΔI_Q	$V_{IN}=5.8V \sim 18.3V$			1.0	mA
		$I_{OUT}=5mA - 1.0A$			0.5	mA
Output Noise Voltage	eN	$10Hz \leq f \leq 100kHz$		55		μV
Temperature Coefficient of V_o	$\Delta V_o/\Delta T$	$I_{OUT}=5mA$		-0.4		mV/°C
Ripple Rejection	RR	$V_{IN}=6.3V \sim 16.3V$, $f=120Hz$, $T_J=25^\circ C$		57		dB
Peak Output Current	I_{PEAK}	$T_J=25^\circ C$		1.8		A
Short-Circuit Current	I_{SC}	$V_{IN}=35V$, $T_J=25^\circ C$		250		mA

For UTC LM7847 ($V_{IN}=9.7V$)

PARAMETER	SYMBOL	TEST CONDITIONS	MIN	TYP	MAX	UNIT
Output Voltage	V_{OUT}	$T_J=25^\circ C$, $I_{OUT}=5mA - 1.0A$	4.512	4.70	4.888	V
		$V_{IN}=7.2V \sim 19.7V$, $I_{OUT}=5mA - 1.0A$, $P_D \leq 15W$	4.465		4.935	V
Dropout Voltage	V_D	$T_J=25^\circ C$		2.0		V
Load Regulation	ΔV_{OUT}	$T_J=25^\circ C$, $I_{OUT}=5mA - 1.0A$			47	mV
		$T_J=25^\circ C$, $I_{OUT}=0.25A - 0.75A$			24	mV
Line regulation	ΔV_{OUT}	$V_{IN}=7.2V \sim 19.7V$, $T_J=25^\circ C$			47	mV
		$V_{IN}=7.2V \sim 19.7V$, $T_J=25^\circ C$, $I_{OUT}=1.0A$			47	mV
Quiescent Current	I_Q	$T_J=25^\circ C$, $I_{OUT} \leq 1.0A$			8.0	mA
Quiescent Current Change	ΔI_Q	$V_{IN}=7.2V \sim 19.7V$			1.0	mA
		$I_{OUT}=5mA - 1.0A$			0.5	mA
Output Noise Voltage	eN	$10Hz \leq f \leq 100kHz$		40		μV
Temperature Coefficient of V_o	$\Delta V_o/\Delta T$	$I_{OUT}=5mA$		-0.6		mV/°C
Ripple Rejection	RR	$V_{IN}=7.7V - 17.7V$, $f=120Hz$, $T_J=25^\circ C$	62	80		dB
Peak Output Current	I_{PEAK}	$T_J=25^\circ C$		1.8		A
Short-Circuit Current	I_{SC}	$V_{IN}=35V$, $T_J=25^\circ C$		250		mA

■ ELECTRICAL CHARACTERISTICS(Cont.)

For UTC LM7805 ($V_{IN} = 10V$)

PARAMETER	SYMBOL	TEST CONDITIONS	MIN	TYP	MAX	UNIT
Output Voltage	V_{OUT}	$T_J = 25^\circ C, I_{OUT} = 5mA - 1.0A$	4.80	5.0	5.20	V
		$V_{IN} = 7.5V \sim 20V,$ $I_{OUT} = 5mA - 1.0A, P_D \leq 15W$	4.75		5.25	V
Dropout Voltage	V_D	$T_J = 25^\circ C$		2.0		V
Load Regulation	ΔV_{OUT}	$T_J = 25^\circ C, I_{OUT} = 5mA - 1.0A$			50	mV
		$T_J = 25^\circ C, I_{OUT} = 0.25A - 0.75A$			25	mV
Line regulation	ΔV_{OUT}	$V_{IN} = 7V \sim 25V, T_J = 25^\circ C$			50	mV
		$V_{IN} = 7.5V \sim 20V, T_J = 25^\circ C, I_{OUT} = 1.0A$			50	mV
Quiescent Current	I_Q	$T_J = 25^\circ C, I_{OUT} \leq 1.0A$			8.0	mA
Quiescent Current Change	ΔI_Q	$V_{IN} = 7.5V \sim 20V$			1.0	mA
		$I_{OUT} = 5mA - 1.0A$			0.5	mA
Output Noise Voltage	eN	$10Hz \leq f \leq 100kHz$		40		μV
Temperature Coefficient of V_o	$\Delta V_o / \Delta T$	$I_{OUT} = 5mA$		-0.6		mV/ $^\circ C$
Ripple Rejection	RR	$V_{IN} = 8V - 18V, f = 120Hz, T_J = 25^\circ C$	62	80		dB
Peak Output Current	I_{PEAK}	$T_J = 25^\circ C$		1.8		A
Short-Circuit Current	I_{SC}	$V_{IN} = 35V, T_J = 25^\circ C$		250		mA

For UTC LM7806 ($V_{IN} = 11V$)

PARAMETER	SYMBOL	TEST CONDITIONS	MIN	TYP	MAX	UNIT
Output Voltage	V_{OUT}	$T_J = 25^\circ C, I_{OUT} = 5mA - 1.0A$	5.76	6.0	6.24	V
		$V_{IN} = 8.5V \sim 21V,$ $I_{OUT} = 5mA - 1.0A, P_D \leq 15W$	5.70		6.30	V
Dropout Voltage	V_D	$T_J = 25^\circ C$		2.0		V
Load Regulation	ΔV_{OUT}	$T_J = 25^\circ C, I_{OUT} = 5mA - 1.0A$			60	mV
		$T_J = 25^\circ C, I_{OUT} = 0.25A - 0.75A$			30	mV
Line regulation	ΔV_{OUT}	$V_{IN} = 8V \sim 25V, T_J = 25^\circ C$			60	mV
		$V_{IN} = 8.5V \sim 21V, T_J = 25^\circ C, I_{OUT} = 1.0A$			60	mV
Quiescent Current	I_Q	$T_J = 25^\circ C, I_{OUT} \leq 1.0A$			8.0	mA
Quiescent Current Change	ΔI_Q	$V_{IN} = 8.5V \sim 21V$			1.0	mA
		$I_{OUT} = 5mA - 1.0A$			0.5	mA
Output Noise Voltage	eN	$10Hz \leq f \leq 100kHz$		45		μV
Temperature Coefficient of V_o	$\Delta V_o / \Delta T$	$I_{OUT} = 5mA$		-0.7		mV/ $^\circ C$
Ripple Rejection	RR	$V_{IN} = 9V - 19V, f = 120Hz, T_J = 25^\circ C$	59	75		dB
Peak Output Current	I_{PEAK}	$T_J = 25^\circ C$		1.8		A
Short-Circuit Current	I_{SC}	$V_{IN} = 35V, T_J = 25^\circ C$		250		mA

■ ELECTRICAL CHARACTERISTICS(Cont.)

For UTC LM7807 ($V_{IN} = 13V$)

PARAMETER	SYMBOL	TEST CONDITIONS	MIN	TYP	MAX	UNIT
Output Voltage	V_{OUT}	$T_J = 25^\circ C, I_{OUT} = 5mA - 1.0A$	6.72	7.0	7.28	V
		$V_{IN} = 9.5V \sim 22V,$ $I_{OUT} = 5mA - 1.0A, P_D \leq 15W$	6.65		7.35	V
Dropout Voltage	V_D	$T_J = 25^\circ C$		2.0		V
Load Regulation	ΔV_{OUT}	$T_J = 25^\circ C, I_{OUT} = 5mA - 1.0A$			70	mV
		$T_J = 25^\circ C, I_{OUT} = 0.25A - 0.75A$			35	mV
Line regulation	ΔV_{OUT}	$V_{IN} = 9V \sim 25V, T_J = 25^\circ C$			70	mV
		$V_{IN} = 9.5V \sim 22V, T_J = 25^\circ C, I_{OUT} = 1.0A$			70	mV
Quiescent Current	I_Q	$T_J = 25^\circ C, I_{OUT} \leq 1.0A$			8.0	mA
Quiescent Current Change	ΔI_Q	$V_{IN} = 9.5V \sim 22V$			1.0	mA
		$I_{OUT} = 5mA - 1.0A$			0.5	mA
Output Noise Voltage	eN	$10Hz \leq f \leq 100kHz$		50		μV
Temperature Coefficient of V_o	$\Delta V_o / \Delta T$	$I_{OUT} = 5mA$		-0.8		mV/ $^\circ C$
Ripple Rejection	RR	$V_{IN} = 10V - 20V, f = 120Hz, T_J = 25^\circ C$	59	75		dB
Peak Output Current	I_{PEAK}	$T_J = 25^\circ C$		1.7		A
Short-Circuit Current	I_{SC}	$V_{IN} = 35V, T_J = 25^\circ C$		250		mA

For UTC LM7808 ($V_{IN} = 14V$)

PARAMETER	SYMBOL	TEST CONDITIONS	MIN	TYP	MAX	UNIT
Output Voltage	V_{OUT}	$T_J = 25^\circ C, I_{OUT} = 5mA - 1.0A$	7.68	8.0	8.32	V
		$V_{IN} = 10.5V \sim 23V,$ $I_{OUT} = 5mA - 1.0A, P_D \leq 15W$	7.60		8.40	V
Dropout Voltage	V_D	$T_J = 25^\circ C$		2.0		V
Load Regulation	ΔV_{OUT}	$T_J = 25^\circ C, I_{OUT} = 5mA - 1.0A$			80	mV
		$T_J = 25^\circ C, I_{OUT} = 0.25A - 0.75A$			40	mV
Line regulation	ΔV_{OUT}	$V_{IN} = 10.5V \sim 25V, T_J = 25^\circ C$			80	mV
		$V_{IN} = 10.5V \sim 23V, T_J = 25^\circ C, I_{OUT} = 1.0A$			80	mV
Quiescent Current	I_Q	$T_J = 25^\circ C, I_{OUT} \leq 1.0A$			8.0	mA
Quiescent Current Change	ΔI_Q	$V_{IN} = 10.5V \sim 23V$			1.0	mA
		$I_{OUT} = 5mA - 1.0A$			0.5	mA
Output Noise Voltage	eN	$10Hz \leq f \leq 100kHz$		58		μV
Temperature Coefficient of V_o	$\Delta V_o / \Delta T$	$I_{OUT} = 5mA$		-0.9		mV/ $^\circ C$
Ripple Rejection	RR	$V_{IN} = 11.5V \sim 21.5V,$ $f = 120Hz, T_J = 25^\circ C$	56	72		dB
Peak Output Current	I_{PEAK}	$T_J = 25^\circ C$		1.8		A
Short-Circuit Current	I_{SC}	$V_{IN} = 35V, T_J = 25^\circ C$		250		mA

■ ELECTRICAL CHARACTERISTICS(Cont.)

For UTC LM7809 ($V_{IN} = 15V$)

PARAMETER	SYMBOL	TEST CONDITIONS	MIN	TYP	MAX	UNIT
Output Voltage	V_{OUT}	$T_J = 25^\circ C, I_{OUT} = 5mA - 1.0A$	8.64	9.0	9.36	V
		$V_{IN} = 11.5V \sim 24V,$ $I_{OUT} = 5mA - 1.0A, P_D \leq 15W$	8.55		9.45	V
Dropout Voltage	V_D	$T_J = 25^\circ C$		2.0		V
Load Regulation	ΔV_{OUT}	$T_J = 25^\circ C, I_{OUT} = 5mA - 1.0A$			90	mV
		$T_J = 25^\circ C, I_{OUT} = 0.25A - 0.75A$			45	mV
Line regulation	ΔV_{OUT}	$V_{IN} = 11.5V \sim 25V, T_J = 25^\circ C$			90	mV
		$V_{IN} = 11.5V \sim 24V, T_J = 25^\circ C, I_{OUT} = 1.0A$			90	mV
Quiescent Current	I_Q	$T_J = 25^\circ C, I_{OUT} \leq 1.0A$			8.0	mA
Quiescent Current Change	ΔI_Q	$V_{IN} = 11.5V \sim 24V$			1.0	mA
		$I_{OUT} = 5mA - 1.0A$			0.5	mA
Output Noise Voltage	eN	$10Hz \leq f \leq 100kHz$		58		μV
Temperature Coefficient of V_o	$\Delta V_o / \Delta T$	$I_{OUT} = 5mA$		-1.1		mV/ $^\circ C$
Ripple Rejection	RR	$V_{IN} = 12.5V \sim 22.5V, f = 120Hz, T_J = 25^\circ C$	56	72		dB
Peak Output Current	I_{PEAK}	$T_J = 25^\circ C$		1.8		A
Short-Circuit Current	I_{SC}	$V_{IN} = 35V, T_J = 25^\circ C$		250		mA

For UTC LM7810 ($V_{IN} = 16V$)

PARAMETER	SYMBOL	TEST CONDITIONS	MIN	TYP	MAX	UNIT
Output Voltage	V_{OUT}	$T_J = 25^\circ C, I_{OUT} = 5mA - 1.0A$	9.60	10.0	10.40	V
		$V_{IN} = 12.5V \sim 25V,$ $I_{OUT} = 5mA - 1.0A, P_D \leq 15W$	9.50		10.50	V
Dropout Voltage	V_D	$T_J = 25^\circ C$		2.0		V
Load Regulation	ΔV_{OUT}	$T_J = 25^\circ C, I_{OUT} = 5mA - 1.0A$			100	mV
		$T_J = 25^\circ C, I_{OUT} = 0.25A - 0.75A$			50	mV
Line regulation	ΔV_{OUT}	$V_{IN} = 13V \sim 25V, T_J = 25^\circ C$			100	mV
		$V_{IN} = 13V \sim 25V, T_J = 25^\circ C, I_{OUT} = 1.0A$			100	mV
Quiescent Current	I_Q	$T_J = 25^\circ C, I_{OUT} \leq 1.0A$			8.0	mA
Quiescent Current Change	ΔI_Q	$V_{IN} = 12.6V \sim 25V$			1.0	mA
		$I_{OUT} = 5mA - 1.0A$			0.5	mA
Output Noise Voltage	eN	$10Hz \leq f \leq 100kHz$		58		μV
Temperature coefficient of V_o	$\Delta V_o / \Delta T$	$I_{OUT} = 5mA$		-1.1		mV/ $^\circ C$
Ripple Rejection	RR	$V_{IN} = 13V - 23V, f = 120Hz, T_J = 25^\circ C$	56	72		dB
Peak Output Current	I_{PEAK}	$T_J = 25^\circ C$		1.8		A
Short-Circuit Current	I_{SC}	$V_{IN} = 35V, T_J = 25^\circ C$		250		mA

■ ELECTRICAL CHARACTERISTICS(Cont.)

For UTC LM7812 ($V_{IN} = 19V$)

PARAMETER	SYMBOL	TEST CONDITIONS	MIN	TYP	MAX	UNIT
Output Voltage	V_{OUT}	$T_J = 25^\circ C, I_{OUT} = 5mA - 1.0A$	11.52	12.0	12.48	V
		$V_{IN} = 14.5V \sim 27V,$ $I_{OUT} = 5mA - 1.0A, P_D \leq 15W$	11.40		12.60	V
Dropout Voltage	V_D	$T_J = 25^\circ C$		2.0		V
Load Regulation	ΔV_{OUT}	$T_J = 25^\circ C, I_{OUT} = 5mA - 1.0A$			120	mV
		$T_J = 25^\circ C, I_{OUT} = 0.25A - 0.75A$			60	mV
Line regulation	ΔV_{OUT}	$V_{IN} = 14.5V \sim 30V, T_J = 25^\circ C$			120	mV
		$V_{IN} = 14.6V \sim 27V, T_J = 25^\circ C, I_{OUT} = 1.0A$			120	mV
Quiescent Current	I_Q	$T_J = 25^\circ C, I_{OUT} \leq 1.0A$			8.0	mA
Quiescent Current Change	ΔI_Q	$V_{IN} = 14.5V \sim 30V$			1.0	mA
		$I_{OUT} = 5mA - 1.0A$			0.5	mA
Output Noise Voltage	eN	$10Hz \leq f \leq 100kHz$		75		μV
Temperature Coefficient of V_o	$\Delta V_o / \Delta T$	$I_{OUT} = 5mA$		-1.5		$mV/^\circ C$
Ripple Rejection	RR	$V_{IN} = 15V - 25V, f = 120Hz, T_J = 25^\circ C$	55	72		dB
Peak Output Current	I_{PEAK}	$T_J = 25^\circ C$		1.8		A
Short-Circuit Current	I_{SC}	$V_{IN} = 35V, T_J = 25^\circ C$		250		mA

For UTC LM7815 ($V_{IN} = 23V$)

PARAMETER	SYMBOL	TEST CONDITIONS	MIN	TYP	MAX	UNIT
Output Voltage	V_{OUT}	$T_J = 25^\circ C, I_{OUT} = 5mA - 1.0A$	14.40	15.0	15.60	V
		$V_{IN} = 17.5V \sim 30V,$ $I_{OUT} = 5mA - 1.0A, P_D \leq 15W$	14.25		15.75	V
Dropout Voltage	V_D	$T_J = 25^\circ C$		2.0		V
Load Regulation	ΔV_{OUT}	$T_J = 25^\circ C, I_{OUT} = 5mA - 1.0A$			150	mV
		$T_J = 25^\circ C, I_{OUT} = 0.25A - 0.75A$			75	mV
Line regulation	ΔV_{OUT}	$V_{IN} = 18.5V \sim 30V, T_J = 25^\circ C$			150	mV
		$V_{IN} = 17.7V \sim 30V, T_J = 25^\circ C, I_{OUT} = 1.0A$			150	mV
Quiescent Current	I_Q	$T_J = 25^\circ C, I_{OUT} \leq 1.0A$			8.0	mA
Quiescent Current Change	ΔI_Q	$V_{IN} = 17.5V \sim 30V$			1.0	mA
		$I_{OUT} = 5mA - 1.0A$			0.5	mA
Output Noise Voltage	eN	$10Hz \leq f \leq 100kHz$		90		μV
Temperature Coefficient of V_o	$\Delta V_o / \Delta T$	$I_{OUT} = 5mA$		-1.8		$mV/^\circ C$
Ripple Rejection	RR	$V_{IN} = 18.5V \sim 28.5V, f = 120Hz, T_J = 25^\circ C$	54	70		dB
Peak Output Current	I_{PEAK}	$T_J = 25^\circ C$		1.8		A
Short-Circuit Current	I_{SC}	$V_{IN} = 35V, T_J = 25^\circ C$		250		mA

■ ELECTRICAL CHARACTERISTICS(Cont.)

For UTC LM7818 ($V_{IN}=27V$)

PARAMETER	SYMBOL	TEST CONDITIONS	MIN	TYP	MAX	UNIT
Output Voltage	V_{OUT}	$T_J=25^{\circ}C, I_{OUT}=5mA - 1.0A$	17.28	18.0	18.72	V
		$V_{IN}=21V \sim 33V,$ $I_{OUT}=5mA - 1.0A, P_D \leq 15W$	17.10		18.90	V
Dropout Voltage	V_D	$T_J=25^{\circ}C$		2.0		V
Load Regulation	ΔV_{OUT}	$T_J=25^{\circ}C, I_{OUT}=5mA - 1.0A$			180	mV
		$T_J=25^{\circ}C, I_{OUT}=0.25A - 0.75A$			90	mV
Line regulation	ΔV_{OUT}	$V_{IN}=21V \sim 33V, T_J=25^{\circ}C$			180	mV
		$V_{IN}=21V \sim 33V,$ $T_J=25^{\circ}C, I_{OUT}=1.0A$			180	mV
Quiescent Current	I_Q	$T_J=25^{\circ}C, I_{OUT} \leq 1.0A$			8.0	mA
Quiescent Current Change	ΔI_Q	$V_{IN}=21.5V \sim 33V$			1.0	mA
		$I_{OUT}=5mA - 1.0A$			0.5	mA
Output Noise Voltage	eN	$10Hz \leq f \leq 100kHz$		110		μV
Temperature Coefficient of V_o	$\Delta V_o/\Delta T$	$I_{OUT}=5mA$		-2.2		$mV/^{\circ}C$
Ripple Rejection	RR	$V_{IN}=22V - 32V, f=120Hz, T_J=25^{\circ}C$	53	69		dB
Peak Output Current	I_{PEAK}	$T_J=25^{\circ}C$		1.8		A
Short-Circuit Current	I_{SC}	$V_{IN}=35V, T_J=25^{\circ}C$		250		mA

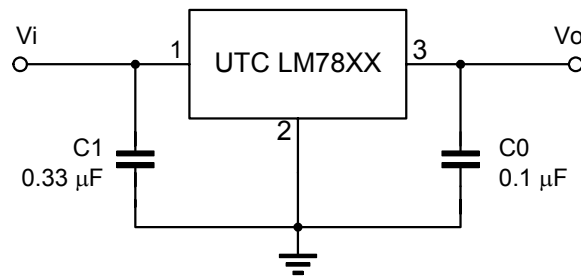
For UTC LM7824 ($V_{IN}=33V$)

PARAMETER	SYMBOL	TEST CONDITIONS	MIN	TYP	MAX	UNIT
Output Voltage	V_{OUT}	$T_J=25^{\circ}C, I_{OUT}=5mA - 1.0A$	23.04	24.0	24.96	V
		$V_{IN}=27V \sim 38V,$ $I_{OUT}=5mA - 1.0A, P_D \leq 15W$	22.80		25.20	V
Dropout Voltage	V_D	$T_J=25^{\circ}C$		2.0		V
Load Regulation	ΔV_{OUT}	$T_J=25^{\circ}C, I_{OUT}=5mA - 1.0A$			240	mV
		$T_J=25^{\circ}C, I_{OUT}=0.25A - 0.75A$			120	mV
Line regulation	ΔV_{OUT}	$V_{IN}=27V \sim 38V, T_J=25^{\circ}C$			240	mV
		$V_{IN}=27V \sim 38V, T_J=25^{\circ}C, I_{OUT}=1.0A$			240	mV
Quiescent Current	I_Q	$T_J=25^{\circ}C, I_{OUT} \leq 1.0A$			8.0	mA
Quiescent Current Change	ΔI_Q	$V_{IN}=28V \sim 38V$			1.0	mA
		$I_{OUT}=5mA - 1.0A$			0.5	mA
Output Noise Voltage	eN	$10Hz \leq f \leq 100kHz$		170		μV
Temperature Coefficient of V_o	$\Delta V_o/\Delta T$	$I_{OUT}=5mA$		-2.8		$mV/^{\circ}C$
Ripple Rejection	RR	$V_{IN}=28V - 38V, f=120Hz, T_J=25^{\circ}C$	50	66		dB
Peak Output Current	I_{PEAK}	$T_J=25^{\circ}C$		1.8		A
Short-Circuit Current	I_{SC}	$V_{IN}=35V, T_J=25^{\circ}C$		250		mA

Note 1: The Maximum steady state usable output current are dependent on input voltage, heat sinking, lead length of the package and copper pattern of PCB. The data above represents pulse test conditions with junction temperatures specified at the initiation of test.

Note 2: Power dissipation < 0.5W

■ APPLICATION CIRCUIT



Note 1: To specify an output voltage, substitute voltage value for "XX".

2: Bypass capacitors are recommended for optimum stability and transient response and should be located as close as possible to the regulators.

EEPW 电子产品世界
.com.cn

■ TYPICAL CHARACTERISTICS

Fig.1 Ambient temperature vs. Power dissipation



Fig.2 Output Voltage vs. Ambient temperature



Fig.3 Dropout Voltage



UTC assumes no responsibility for equipment failures that result from using products at values that exceed, even momentarily, rated values (such as maximum ratings, operating condition ranges, or other parameters) listed in products specifications of any and all UTC products described or contained herein. UTC products are not designed for use in life support appliances, devices or systems where malfunction of these products can be reasonably expected to result in personal injury. Reproduction in whole or in part is prohibited without the prior written consent of the copyright owner. The information presented in this document does not form part of any quotation or contract, is believed to be accurate and reliable and may be changed without notice.