



Frontier Electronics Corp.

667 E. COCHRAN STREET, SIMI VALLEY, CA 93065

TEL: (805) 522-9998 FAX: (805) 522-9989

E-mail: frontiersales@frontierusa.com

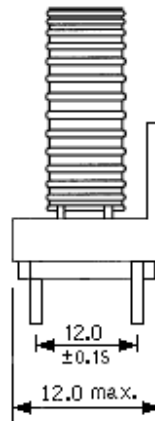
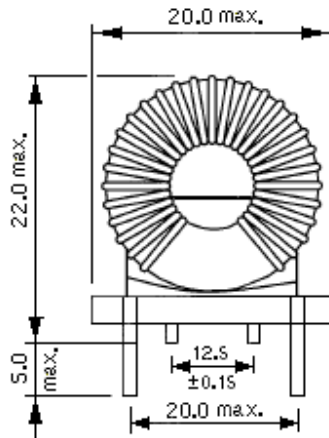
Web: frontierusa.com

Line Filters-----3051-series

A. Specifications:

Part Number	Inductance (uH)	DCR (OHMS) Max.	Rated Current (A) RMS.
3051-01	80	0.050	0.50
3051-02	100	0.500	0.50
3051-03	440	0.080	1.00
3051-04	1000	0.100	1.00
3051-05	3000	1.000	1.00
3051-06	3300	0.250	0.50
3051-07	6800	0.350	0.50

B. Mechanical Dimensions:



C. General information:

1. Test Condition: 1.0KHz / 1V.
2. Electrical specifications at 25°C.
3. Temperature Rise: 40°C.
4. Rated Voltage: 100V to 270V / 50-60 Hz.
5. Hi-Pot Voltage: 1500VAC for one minute.
6. Insulation Resistance: 100M OHMS at 500VDC.
7. Operating temperature: -20°C TO +105°C.

★ Custom specifications are available.

Note: **RoHS** compliant; for the **ROHS** parts, we add “-LFR” at the end of the P/N.