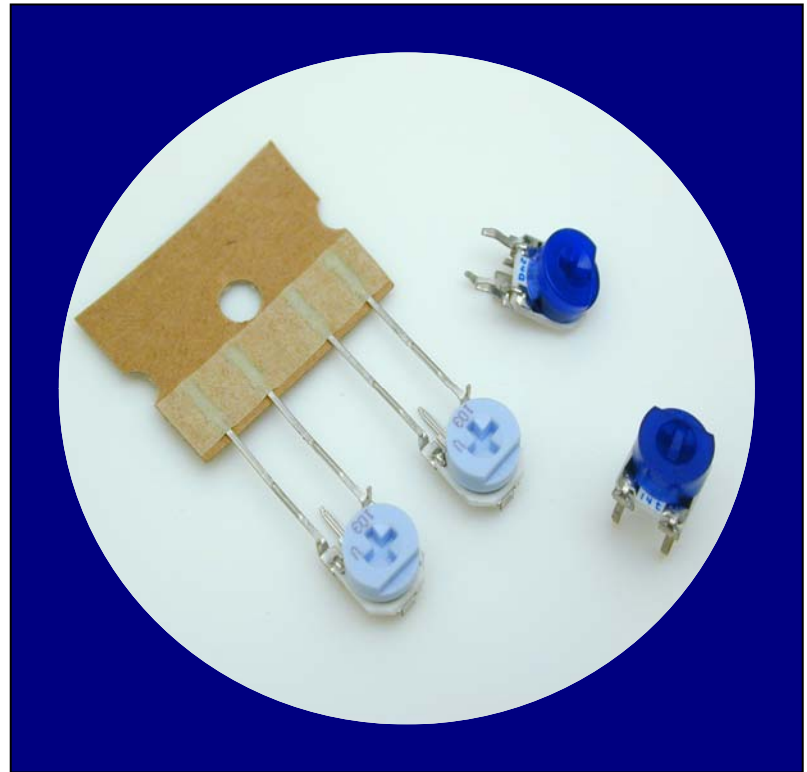


Commercial miniature 6 mm cermet trimmer potentiometer

- Variety of terminal pitches
- Front cross-slot adjustment
- Available in Bulk and Ammo-Pak



Electrical and Mechanical Specifications

Taper

Linear

Resistance Range

100 ohms to 1 megohm
(See Resistance Code Table)

Resistance Tolerance

± 25 %

Residual Resistance

Less than 2% of the total resistance value,
100 kΩ < 5% maximum

Power Rating

Cermet - 0.3 watt at 70°C, 0 watts at 100°C

Maximum Working Voltage

100 V

Temperature Range

-25° C ~ +100 ° C

Temperature Coefficient

± 250 ppm/°C

Noise (Contact Resistance Variation)

Less than 4% of total resistance

Rotation Angle

240° ± 10°

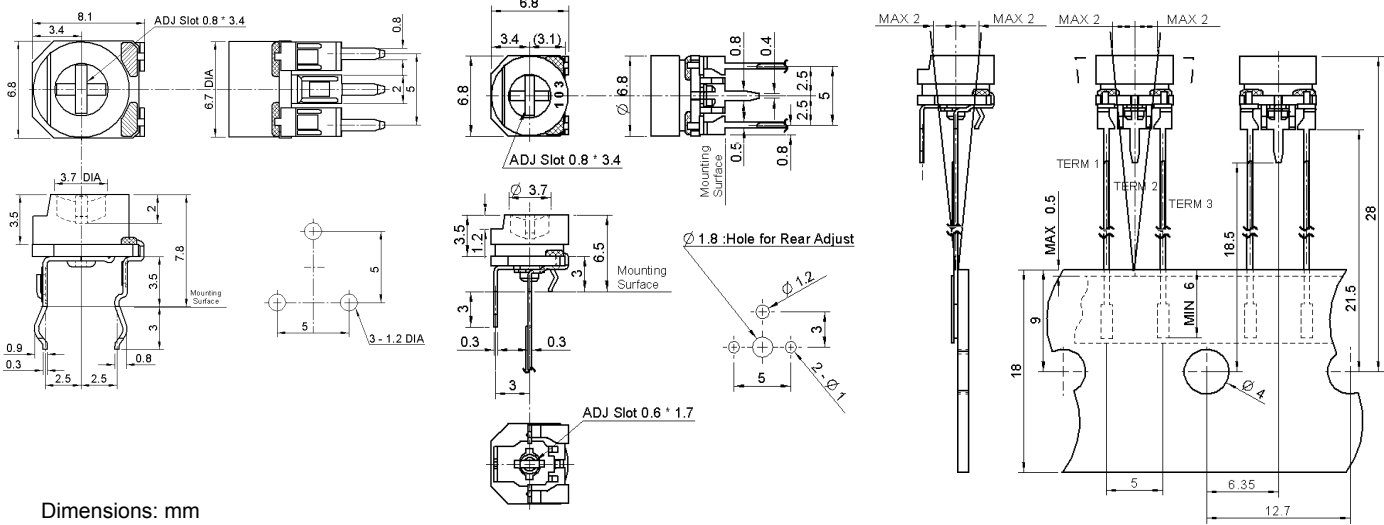
Operation Torque

Bulk – 2.94 ~ 29.4 mN•m
Taped – 0.98 ~ 29.4 mN•m

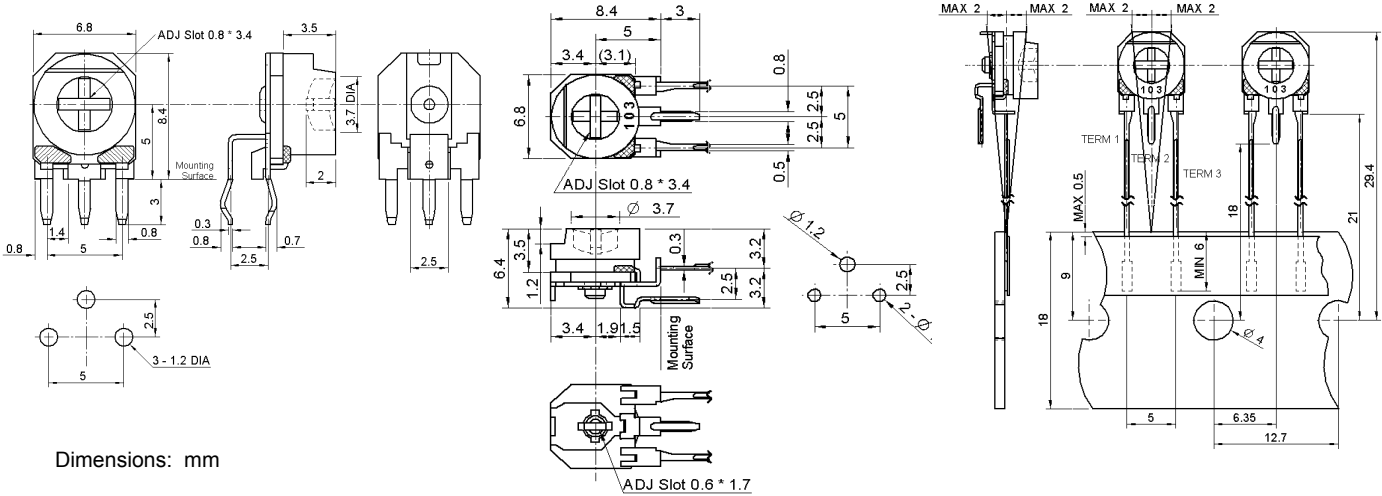
Stop Strength

49.00 mN•m, maximum

307U Style - Horizontal mounting - Knob parallel to printed circuit board



307X Style - Vertical Mounting - Knob perpendicular to printed circuit board



Ordering Information

