

**CONNECTOR
DESIGNATORS**

A-F-G*

H-J*-L-S

* Conn. Desig. G & J -
Consult Factory For
45° and 90°

**ROTATABLE
COUPLING**

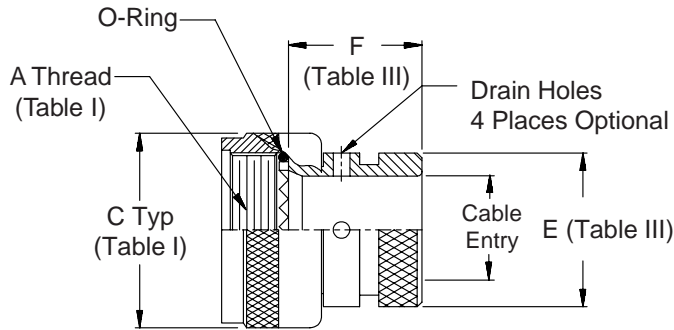
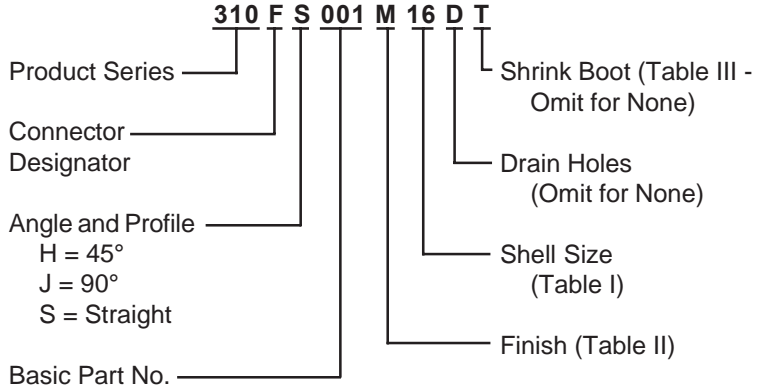
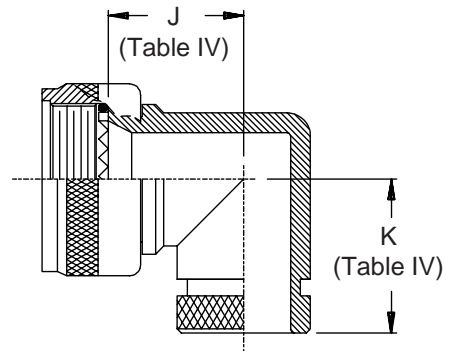
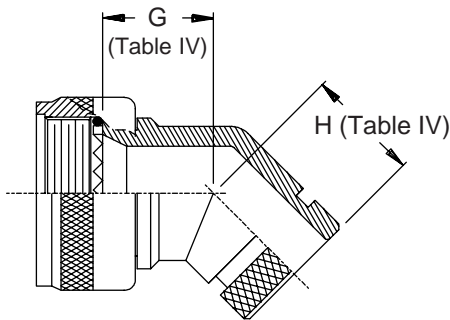


TABLE II - STANDARD FINISHES

GLENAIR	
SYMBOL	FINISH
B	Cadmium Plate, Olive Drab
C	Anodize, Black
G	Hard Coat, Anodic
M	Electroless Nickel
NF	Cadmium Plate, Olive Drab Over Electroless Nickel

See Back Cover for Complete Finish Information and Additional Finish Options



310-001
O-Ring Sealed Shrink Boot Adapter
Rotatable Coupling - Standard Profile



See inside back cover fold-out or pages 13 and 14 for unabridged Tables I and II.

TABLE III: CABLE ENTRY AND SHRINK BOOT

Shell Size - Conn. Desig.		Cable Entry				
A-F-J-L-S	G-H	E Max	F Max	Min.	Shrink Boot *	
08	09	.533 (13.5)	.940 (23.9)	.250 (6.4)	202K121-25-0	
10	11	.605 (15.4)	.940 (23.9)	.355 (9.0)	202K121-25-0	
12	13	.774 (19.7)	.940 (23.9)	.491 (12.5)	202K121-25-0	
14	15	.838 (21.3)	.940 (23.9)	.565 (14.4)	202K121-25-0	
16	17	.963 (24.5)	.940 (23.9)	.690 (17.5)	202K132-25-0	
18	19	1.042 (26.5)	.940 (23.9)	.769 (19.5)	202K142-25-0	
20	21	1.217 (30.9)	.940 (23.9)	.894 (22.7)	202K142-25-0	
22	23	1.355 (34.4)	.940 (23.9)	1.019 (25.9)	202K153-25-0	
24	25	1.443 (36.7)	.940 (23.9)	1.134 (28.8)	202K163-25-0	
28	29	1.709 (43.4)	.940 (23.9)	1.369 (34.8)	202K174-25-0	
32	33	1.919 (48.7)	1.005 (25.5)	1.615 (41.0)	202K174-25-0	

* Raychem Shrink Boot Supplied with "T" Option
 (see Part Number Development)

TABLE IV: DIMENSIONS

Shell Size - Conn. Desig.		G	H	J	K
A-F-L-S	H	Max	Max	Max	Max
08	09	.639 (16.2)	.810 (20.6)	.750 (19.1)	.920 (23.4)
10	11	.664 (16.9)	.840 (21.3)	.810 (20.6)	.980 (24.9)
12	13	.688 (17.5)	.860 (21.8)	.870 (22.1)	1.040 (26.4)
14	15	.705 (17.9)	.890 (22.6)	.920 (23.4)	1.110 (28.2)
16	17	.732 (18.6)	.910 (23.1)	.980 (24.9)	1.170 (29.7)
18	19	.748 (19.0)	.920 (23.4)	1.020 (25.9)	1.190 (30.2)
20	21	.773 (19.6)	.940 (23.9)	1.080 (27.4)	1.250 (31.8)
22	23	.800 (20.3)	.980 (24.9)	1.140 (29.0)	1.330 (33.8)
24	25	.823 (20.9)	1.010 (25.7)	1.200 (30.5)	1.400 (35.6)
28	29	1.041 (26.4)	1.180 (30.0)	1.480 (37.6)	1.640 (41.7)
32	33	1.092 (27.7)	1.370 (34.8)	1.610 (40.9)	1.880 (47.8)

-445 Now Available with the "NESTOR"

Glenair's Non-Detent, Spring-Loaded, Self-Locking Coupling.

Add "-445" to Specify This AS85049 Style "N" Coupling Interface.

1. See Shrink Boot Reference Information (page 40).
2. Metric dimensions (mm) are indicated in parentheses.
3. O-Rings not supplied with drain hole option.
4. O-Rings not supplied with Connector Designators A and G.