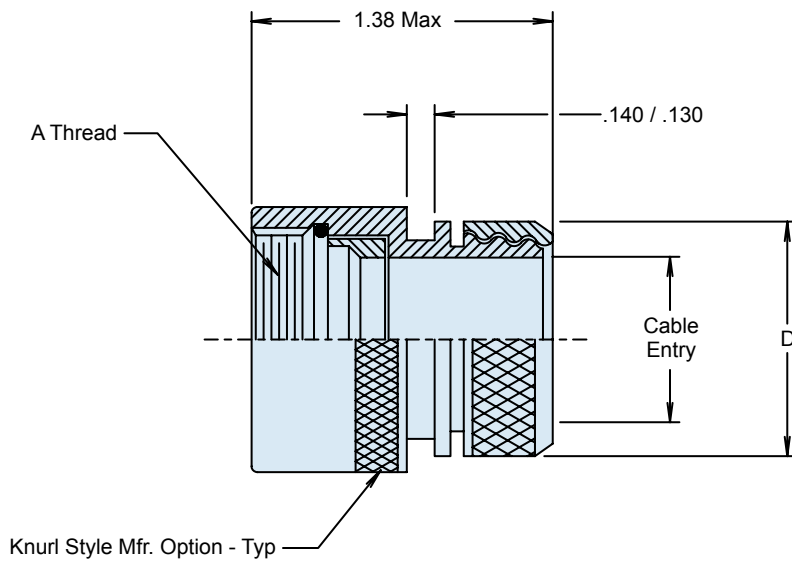
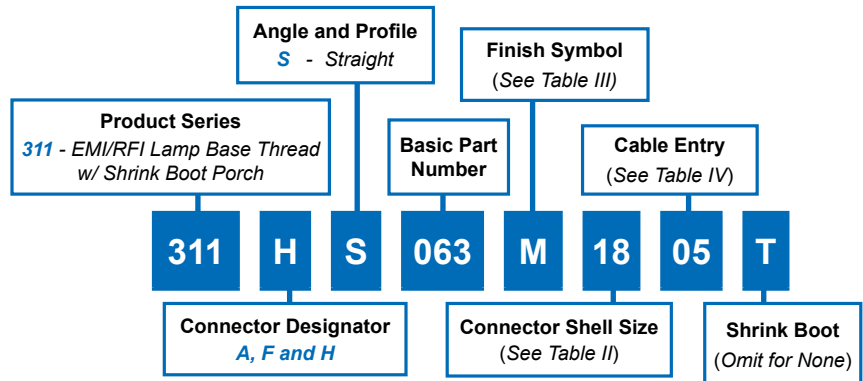




311-063 Composite Lamp Base Thread EMI/RFI Environmental Shield Termination Backshell with Shrink Boot Porch and Direct Coupling Nut

A

CONNECTOR DESIGNATOR:	
A	MIL-DTL-5015, -26482 Series II, and -83723 Series I and III
F	MIL-DTL-38999 Series I, II
H	MIL-DTL-38999 Series III and IV
DIRECT COUPLING	



Shell Size		Max Dash Number
A, F	H	
08	09	02
10	11	03
12	13	04
14	15	05
16	17	06
18	19	07
20	21	08
22	23	09
24	25	10

311-063
Composite Lamp Base Thread
EMI/RFI Environmental Shield Termination Backshell
with Shrink Boot Porch and Direct Coupling Nut



TABLE III: FINISH	
Symbol	Finish Description
XM	2000 Hour Corrosion Resistant Electroless Nickel
XMT	2000 Hour Corrosion Resistant Ni-PTFE, Nickel-Fluorocarbon Polymer. <i>1000 Hour Grey™</i>
XW	2000 Hour Corrosion Resistant Cadmium/Olive Drab over Electroless Nickel

TABLE IV: CABLE ENTRY		
Dash Number	D Max	Entry Max
01	.448 (11.4)	.13 (3.3)
02	.515 (13.1)	.25 (6.4)
03	.640 (16.3)	.38 (9.7)
04	.765 (19.4)	.50 (12.7)
05	.930 (23.6)	.63 (16.0)
06	1.015 (25.8)	.75 (19.1)
07	1.140 (29.0)	.81 (20.6)
08	1.265 (32.1)	1.06 (26.9)
09	1.432 (36.4)	1.19 (30.2)
10	1.515 (38.5)	1.38 (35.1)

NOTES
1. See Table I in Intro for front-end dimensional details.
2. For angled shrink boots, contact Glenair engineering.
3. 770-001S**-0 shrink boot supplied with T option. See shrink boot product page for more details.