

**CONNECTOR
DESIGNATORS**

A-F-G*

H-J*-L-S

* Conn. Desig. G & J -
Consult Factory For
45° and 90°

**ROTATABLE
COUPLING**

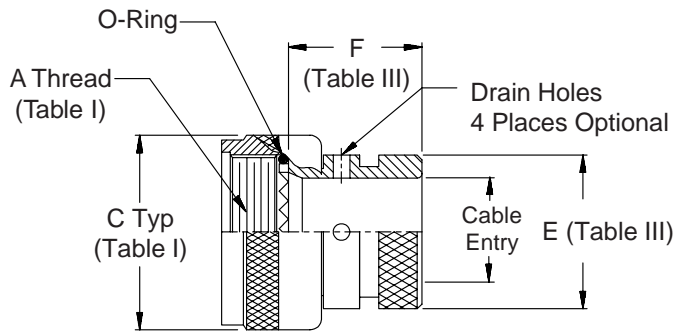
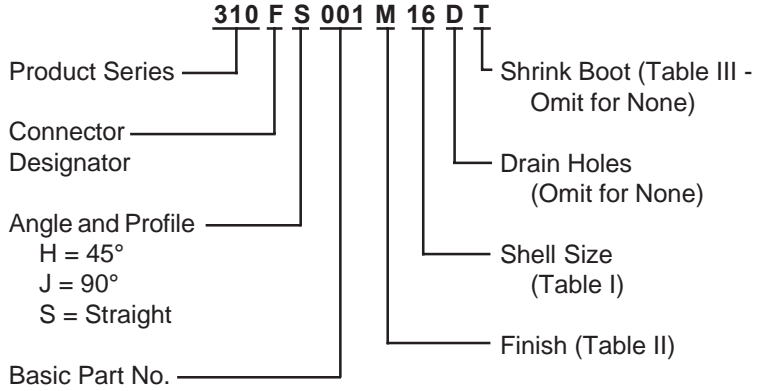
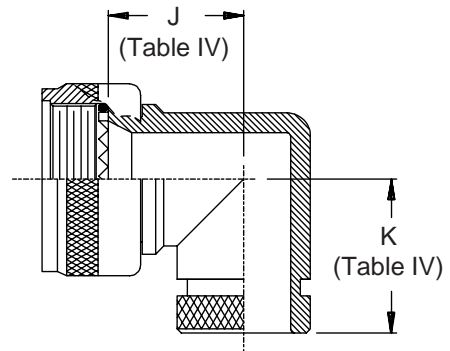
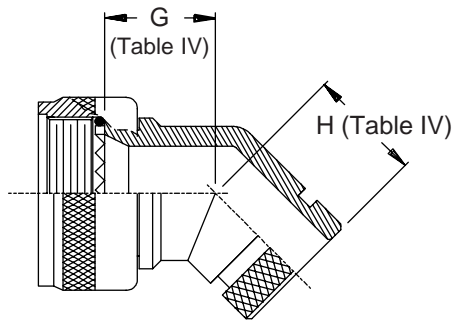


TABLE II - STANDARD FINISHES

| GLENAIR | |
|---------|---|
| SYMBOL | FINISH |
| B | Cadmium Plate, Olive Drab |
| C | Anodize, Black |
| G | Hard Coat, Anodic |
| M | Electroless Nickel |
| NF | Cadmium Plate, Olive Drab Over Electroless Nickel |

See Back Cover for Complete Finish Information and Additional Finish Options



310-001
O-Ring Sealed Shrink Boot Adapter
Rotatable Coupling - Standard Profile



See inside back cover fold-out or pages 13 and 14 for unabridged Tables I and II.

TABLE III: CABLE ENTRY AND SHRINK BOOT

| Shell Size - Conn. Desig. | | Cable Entry | | | | |
|---------------------------|-----|--------------|--------------|--------------|---------------|--|
| A-F-J-L-S | G-H | E Max | F Max | Min. | Shrink Boot * | |
| 08 | 09 | .533 (13.5) | .940 (23.9) | .250 (6.4) | 202K121-25-0 | |
| 10 | 11 | .605 (15.4) | .940 (23.9) | .355 (9.0) | 202K121-25-0 | |
| 12 | 13 | .774 (19.7) | .940 (23.9) | .491 (12.5) | 202K121-25-0 | |
| 14 | 15 | .838 (21.3) | .940 (23.9) | .565 (14.4) | 202K121-25-0 | |
| 16 | 17 | .963 (24.5) | .940 (23.9) | .690 (17.5) | 202K132-25-0 | |
| 18 | 19 | 1.042 (26.5) | .940 (23.9) | .769 (19.5) | 202K142-25-0 | |
| 20 | 21 | 1.217 (30.9) | .940 (23.9) | .894 (22.7) | 202K142-25-0 | |
| 22 | 23 | 1.355 (34.4) | .940 (23.9) | 1.019 (25.9) | 202K153-25-0 | |
| 24 | 25 | 1.443 (36.7) | .940 (23.9) | 1.134 (28.8) | 202K163-25-0 | |
| 28 | 29 | 1.709 (43.4) | .940 (23.9) | 1.369 (34.8) | 202K174-25-0 | |
| 32 | 33 | 1.919 (48.7) | 1.005 (25.5) | 1.615 (41.0) | 202K174-25-0 | |

* Raychem Shrink Boot Supplied with "T" Option
 (see Part Number Development)

TABLE IV: DIMENSIONS

| Shell Size - Conn. Desig. | | G | H | J | K |
|---------------------------|----|--------------|--------------|--------------|--------------|
| A-F-L-S | H | Max | Max | Max | Max |
| 08 | 09 | .639 (16.2) | .810 (20.6) | .750 (19.1) | .920 (23.4) |
| 10 | 11 | .664 (16.9) | .840 (21.3) | .810 (20.6) | .980 (24.9) |
| 12 | 13 | .688 (17.5) | .860 (21.8) | .870 (22.1) | 1.040 (26.4) |
| 14 | 15 | .705 (17.9) | .890 (22.6) | .920 (23.4) | 1.110 (28.2) |
| 16 | 17 | .732 (18.6) | .910 (23.1) | .980 (24.9) | 1.170 (29.7) |
| 18 | 19 | .748 (19.0) | .920 (23.4) | 1.020 (25.9) | 1.190 (30.2) |
| 20 | 21 | .773 (19.6) | .940 (23.9) | 1.080 (27.4) | 1.250 (31.8) |
| 22 | 23 | .800 (20.3) | .980 (24.9) | 1.140 (29.0) | 1.330 (33.8) |
| 24 | 25 | .823 (20.9) | 1.010 (25.7) | 1.200 (30.5) | 1.400 (35.6) |
| 28 | 29 | 1.041 (26.4) | 1.180 (30.0) | 1.480 (37.6) | 1.640 (41.7) |
| 32 | 33 | 1.092 (27.7) | 1.370 (34.8) | 1.610 (40.9) | 1.880 (47.8) |

-445 Now Available with the "NESTOR"

Glenair's Non-Detent, Spring-Loaded, Self-Locking Coupling.

Add "-445" to Specify This AS85049 Style "N" Coupling Interface.

1. See Shrink Boot Reference Information (page 40).
2. Metric dimensions (mm) are indicated in parentheses.
3. O-Rings not supplied with drain hole option.
4. O-Rings not supplied with Connector Designators A and G.