

## SPECIFICATIONS

|                                      |                                                                                  |
|--------------------------------------|----------------------------------------------------------------------------------|
| Enclosure                            | : Hermetically sealed :<br>back filled with<br>Nitrogen.                         |
| Contact Arrangement                  | : 2 form C                                                                       |
| Contact Material                     | : Bifurcated Gold<br>Flashed Contacts                                            |
| Contact Rating                       |                                                                                  |
| Rated Voltage                        | : 28 VDC / 115V AC                                                               |
| Max. Switching Current               | : 2 Amps (res)                                                                   |
| At 28VDC/115VAC                      | : 1 Amps (Ind)                                                                   |
| Contact Resistance                   | : 50milli Ohms (Initial)<br>100milli Ohms<br>(after life)                        |
| Coil Dissipation                     |                                                                                  |
| at 125°C                             | : 1 Watt                                                                         |
| at 25°C                              | : 1.5 Watts                                                                      |
| Sensitivity                          | : 300milli Watts                                                                 |
| Life Expectancy                      |                                                                                  |
| Electrical                           | : 5 <sup>5</sup> operations at<br>rated load                                     |
| Mechanical                           | : 5 x 10 <sup>5</sup> operations                                                 |
| Dielectric strength at the sea level |                                                                                  |
| Between terminals and case:          | 1000 VRMS                                                                        |
| Between open contacts                | : 500 VRMS                                                                       |
| Between coil and ground              | : 500 VRMS                                                                       |
| Insulation Resistance                | : 1000 M Ohms at<br>25°C                                                         |
| Operate time                         | : 6m.sec. Max.                                                                   |
| Release time                         | : 6m.sec. Max.                                                                   |
| Contact bounce                       | : 2m.sec. Max                                                                    |
| Ambient Temperature                  | : -65°C to + 125°C                                                               |
| Damp heat                            | : H13 JSS 50101<br>classification                                                |
| Acceleration (steady state)          | : A10 : 170m/sec <sup>2</sup>                                                    |
| Impact (shock)                       | : S14 : 1 Km/sec <sup>2</sup>                                                    |
| Vibration                            | : V13 : 10-2000 Hz.                                                              |
| Salt spray                           | : 48 hours minimum.                                                              |
| Standard finish                      | : Epoxy finish, fungus<br>resistant.                                             |
| Terminals                            | : Solder hook or<br>printed<br>circuit/plug in<br>(matching socket<br>available) |
| Weight                               | : 17gms Max                                                                      |

\* Low level switching must be specified to assure maximum reliability

Do NOT ground the relay can for AC switching

### Typical applications

Military & Commercial Applications - Air Craft and Missile Controls, System, Communication and other high - grade electronic circuitry

All dimensions are in mm. Specifications subject to change without notice. Tolerance unless otherwise specified is ± 10%

## O/E/N 30

## HERMETICALLY SEALED CRYSTAL CAN RELAY

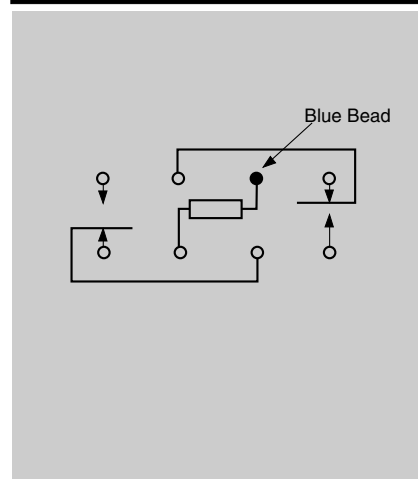
- Compact High Performance
- Direct PCB type / Solder Header
- Rotary Armature
- Bifurcated Gold Flashed Contacts
- Ideal for Low Level Switching
- Nitrogen Back Filling
- Designed to meet MIL R5757/10

## COIL DATA

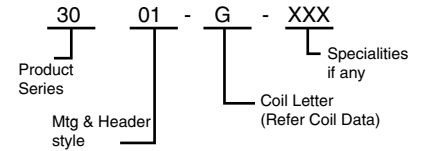
| Coil Letter | Nominal Voltage<br>VDC | Pick-up Voltage<br>(25°C) VDC (Max) | Drop-out Voltage<br>(25°C) VDC (Min) | Resistance<br>Ohms ± 10% (25°C) |
|-------------|------------------------|-------------------------------------|--------------------------------------|---------------------------------|
| A           | 6.3                    | 3.5                                 | 0.7                                  | 35                              |
| D           | 12.0                   | 7.2                                 | 1.4                                  | 200                             |
| E           | 20.4                   | 10.2                                | 2.0                                  | 340                             |
| G           | 26.5                   | 13.5                                | 2.6                                  | 675                             |
| L           | 73.8                   | 42.0                                | 8.0                                  | 5675                            |

Special coils available with longer delivery

## CIRCUIT DIAGRAM



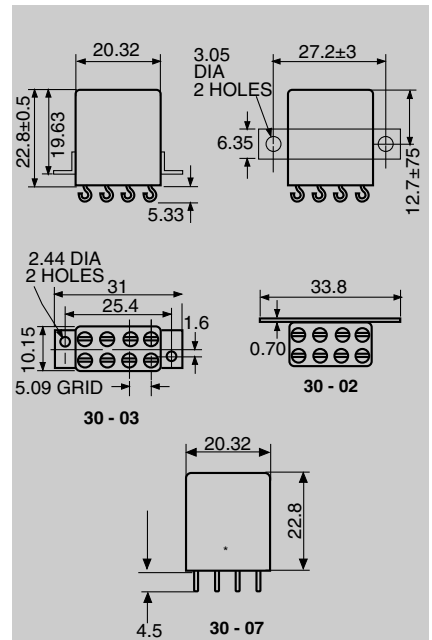
## HOW TO ORDER



- 30-01 Solder header with Mtg. Brackets (2) with centre line holes
- 30-02 Solder Header with side Brackets
- 30-03 Solder Header with Mtg. Brackets (2) with off-set holes
- 30-06 Solder-Plain can
- 30-07 Plug-in/Printed Circuit-Plain can

Note : Suitable Socket Available for 30-07 Version

## DIMENSIONS



## DRILLING PATTERN

