

SPECIFICATIONS

| | |
|--------------------------------------|--|
| Enclosure | : Hermetically sealed : back filled with Nitrogen. |
| Contact Arrangement | : 2 form C |
| Contact Material | : Bifurcated Gold Flashed Contacts |
| Contact Rating | |
| Rated Voltage | : 28 VDC / 115V AC |
| Max. Switching Current | : 2 Amps (res) |
| At 28VDC/115VAC | : 1 Amps (Ind) |
| Contact Resistance | : 50milli Ohms (Initial) 100milli Ohms (after life) |
| Coil Dissipation | |
| at 125 ^o C | : 1 Watt |
| at 25 ^o C | : 1.5 Watts |
| Sensitivity | : 300milli Watts |
| Life Expectancy | |
| Electrical | : 5 ⁵ operations at rated load |
| Mechanical | : 5 x 10 ⁵ operations |
| Dielectric strength at the sea level | |
| Between terminals and case: | 1000 VRMS |
| Between open contacts | : 500 VRMS |
| Between coil and ground | : 500 VRMS |
| Insulation Resistance | : 1000 M Ohms at 25 ^o C |
| Operate time | : 6m.sec. Max. |
| Release time | : 6m.sec. Max. |
| Contact bounce | : 2m.sec. Max |
| Ambient Temperature | : -65 ^o C to + 125 ^o C |
| Damp heat | : H13 JSS 50101 classification |
| Acceleration (steady state) | : A10 : 170m/sec ² |
| Impact (shock) | : S14 : 1 Km/sec ² |
| Vibration | : V13 : 10-2000 Hz. |
| Salt spray | : 48 hours minimum. |
| Standard finish | : Epoxy finish, fungus resistant. |
| Terminals | : Solder hook or printed circuit/plug in (matching socket available) |
| Weight | : 17gms Max |

* Low level switching must be specified to assure maximum reliability

Do NOT ground the relay can for AC switching

Typical applications

Military & Commercial Applications - Air Craft and Missile Controls , System, Communication and other high - grade electronic circuitry

All dimensions are in mm. Specifications subject to change without notice. Tolerance unless otherwise specified is ± 10%

O/E/N 30

HERMETICALLY SEALED CRYSTAL CAN RELAY

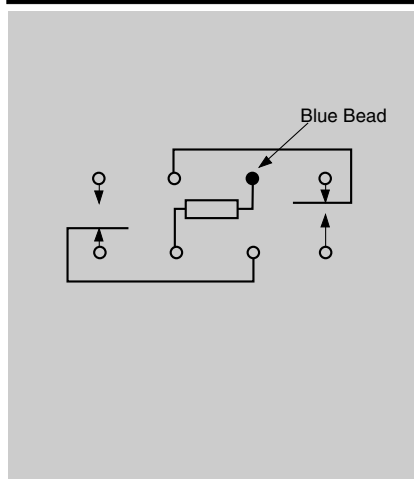
- Compact High Performance
- Direct PCB type / Solder Header
- Rotary Armature
- Bifurcated Gold Flashed Contacts
- Ideal for Low Level Switching
- Nitrogen Back Filling
- Designed to meet MIL R5757/10

COIL DATA

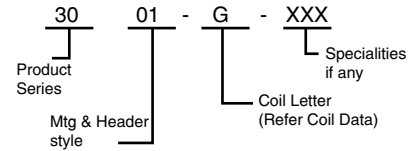
| Coil Letter | Nominal Voltage VDC | Pick-up Voltage (25 ^o C) VDC (Max) | Drop-out Voltage (25 ^o C) VDC (Min) | Resistance Ohms ± 10% (25 ^o C) |
|-------------|------------------------|--|---|---|
| A | 6.3 | 3.5 | 0.7 | 35 |
| D | 12.0 | 7.2 | 1.4 | 200 |
| E | 20.4 | 10.2 | 2.0 | 340 |
| G | 26.5 | 13.5 | 2.6 | 675 |
| L | 73.8 | 42.0 | 8.0 | 5675 |

Special coils available with longer delivery

CIRCUIT DIAGRAM



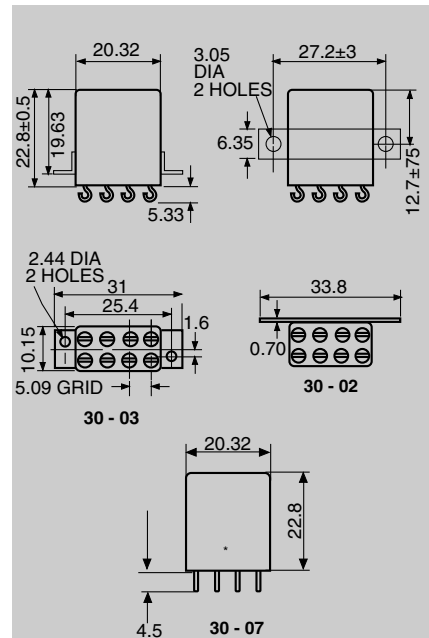
HOW TO ORDER



- 30-01 Solder header with Mtg. Brackets (2) with centre line holes
- 30-02 Solder Header with side Brackets
- 30-03 Solder Header with Mtg. Brackets (2) with off-set holes
- 30-06 Solder-Plain can
- 30-07 Plug-in/Printed Circuit-Plain can

Note : Suitable Socket Available for 30-07 Version

DIMENSIONS



DRILLING PATTERN

