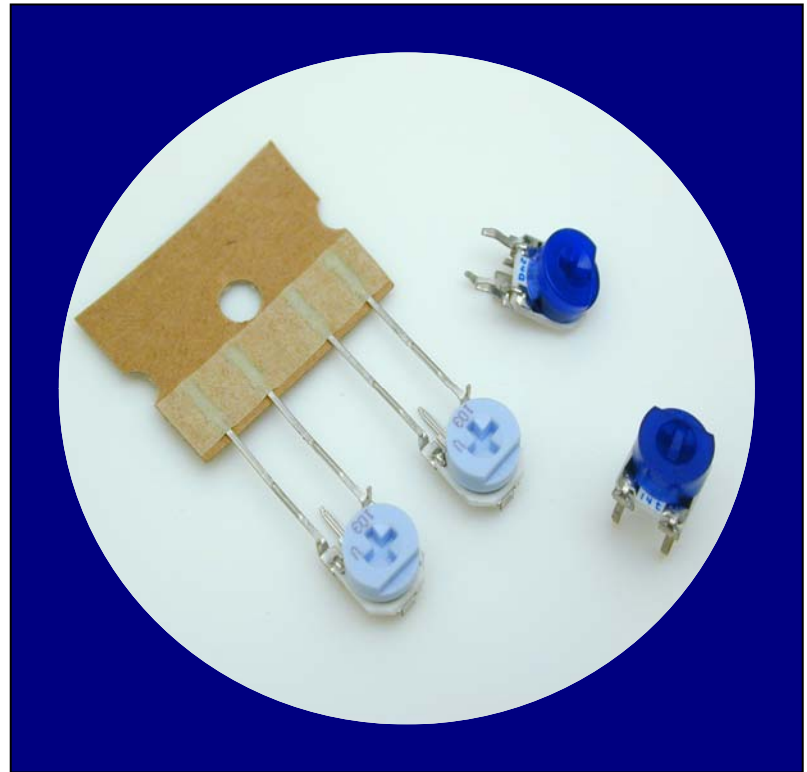


Commercial miniature 6 mm cermet trimmer potentiometer

- Variety of terminal pitches
- Front cross-slot adjustment
- Available in Bulk and Ammo-Pak



Electrical and Mechanical Specifications

Taper

Linear

Resistance Range

100 ohms to 1 megohm
(See Resistance Code Table)

Resistance Tolerance

± 25 %

Residual Resistance

Less than 2% of the total resistance value,
100 k Ω < 5% maximum

Power Rating

Cermet - 0.3 watt at 70°C, 0 watts at 100°C

Maximum Working Voltage

100 V

Temperature Range

-25° C ~ +100 ° C

Temperature Coefficient

± 250 ppm/°C

Noise (Contact Resistance Variation)

Less than 4% of total resistance

Rotation Angle

240° ± 10°

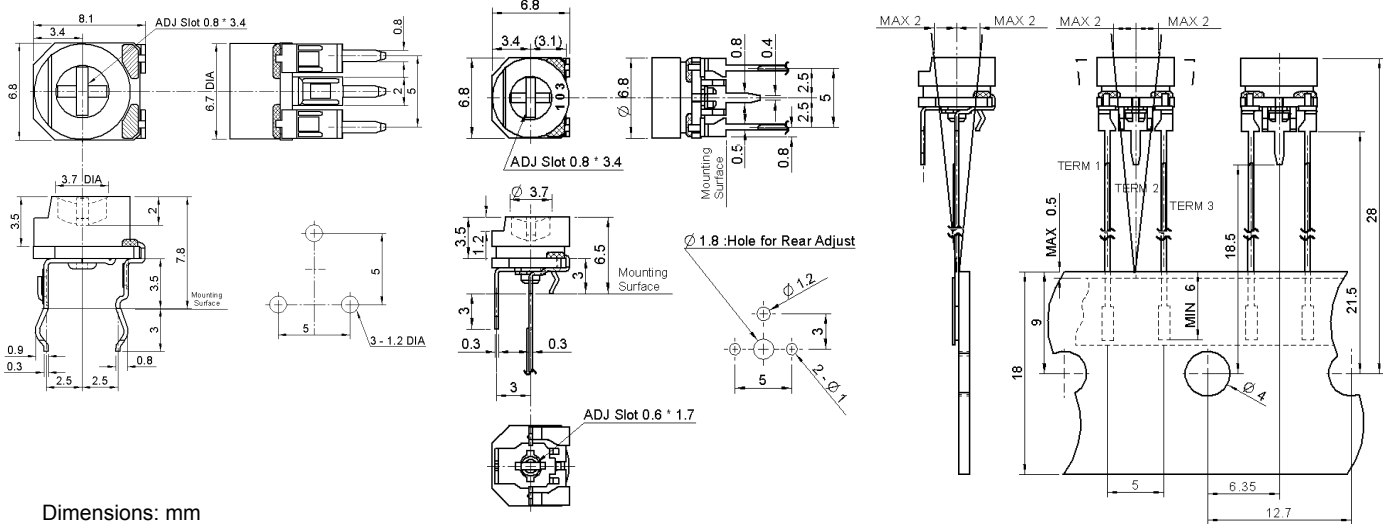
Operation Torque

Bulk – 2.94 ~ 29.4 mN•m
Taped – 0.98 ~ 29.4 mN•m

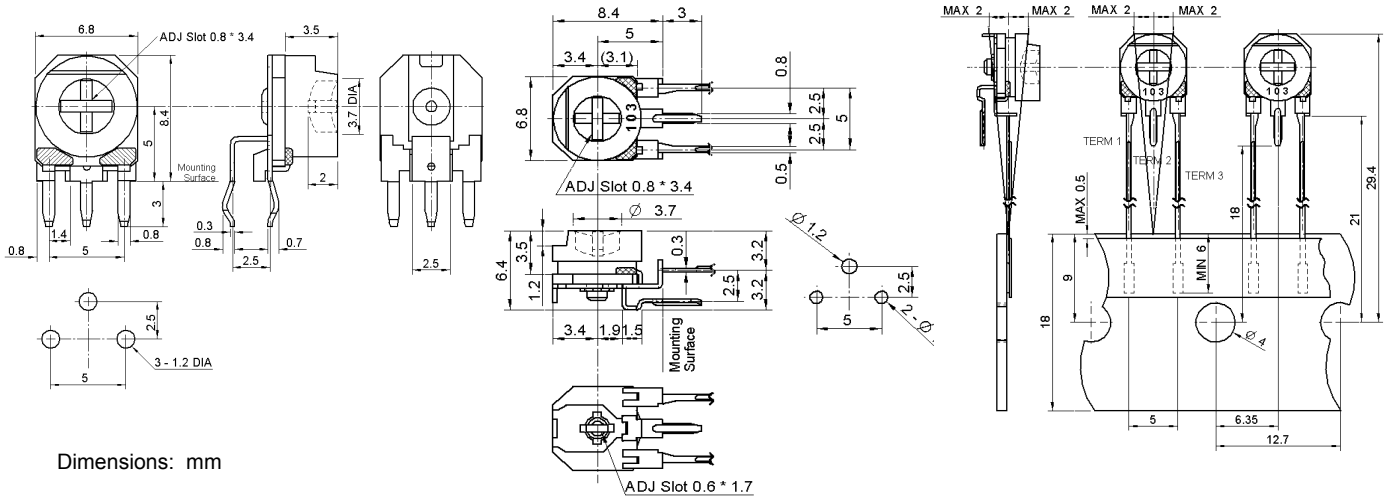
Stop Strength

49.00 mN•m, maximum

307U Style - Horizontal mounting - Knob parallel to printed circuit board



307X Style - Vertical Mounting - Knob perpendicular to printed circuit board



Ordering Information

307	U	C	203	E	A																																				
SERIES	MOUNTING STYLE	KNOB TYPE	RESISTANCE CODE																																						
307 - 6 mm ROUND CERMET TRIMMER	U- HORIZONTAL MOUNT X- VERTICAL MOUNT - KNOB	C - CROSS-SLOT SMOOTH EDGE	<table border="1"> <thead> <tr> <th>Code</th> <th>Resistance</th> <th>Code</th> <th>Resistance</th> <th>Code</th> <th>Resistance</th> </tr> </thead> <tbody> <tr> <td>101</td> <td>100 OHMS</td> <td>502</td> <td>5K OHMS</td> <td>104</td> <td>100K OHMS</td> </tr> <tr> <td>201</td> <td>200 OHMS</td> <td>103</td> <td>10K OHMS</td> <td>204</td> <td>200K OHMS</td> </tr> <tr> <td>501</td> <td>500 OHMS</td> <td>203</td> <td>20K OHMS</td> <td>504</td> <td>500K OHMS</td> </tr> <tr> <td>102</td> <td>1K OHMS</td> <td>503</td> <td>50K OHMS</td> <td>105</td> <td>1 MEGOHM</td> </tr> <tr> <td>202</td> <td>2K OHMS</td> <td></td> <td></td> <td></td> <td></td> </tr> </tbody> </table>	Code	Resistance	Code	Resistance	Code	Resistance	101	100 OHMS	502	5K OHMS	104	100K OHMS	201	200 OHMS	103	10K OHMS	204	200K OHMS	501	500 OHMS	203	20K OHMS	504	500K OHMS	102	1K OHMS	503	50K OHMS	105	1 MEGOHM	202	2K OHMS					RESISTANCE TOLERANCE	PACKAGING
Code	Resistance	Code	Resistance	Code	Resistance																																				
101	100 OHMS	502	5K OHMS	104	100K OHMS																																				
201	200 OHMS	103	10K OHMS	204	200K OHMS																																				
501	500 OHMS	203	20K OHMS	504	500K OHMS																																				
102	1K OHMS	503	50K OHMS	105	1 MEGOHM																																				
202	2K OHMS																																								
				E ± 25 %	BLANK – BULK (500 pcs) A – Ammo-Pak (1,000pc)																																				

Example of part number: 307UC203ERA