

**CONNECTOR  
 DESIGNATORS**  
**A-B\*-C-D-E-F**  
**G-H-J-K-L-S**

\* Conn. Design. B See Note 4  
**DIRECT  
 COUPLING**

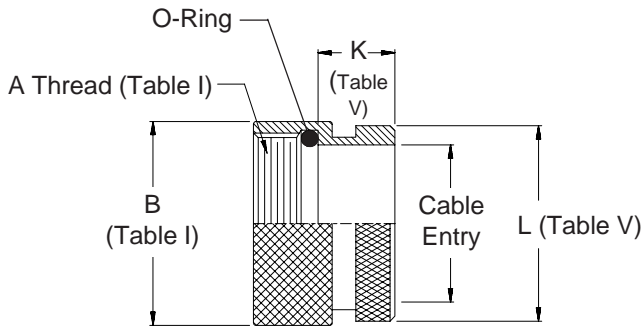
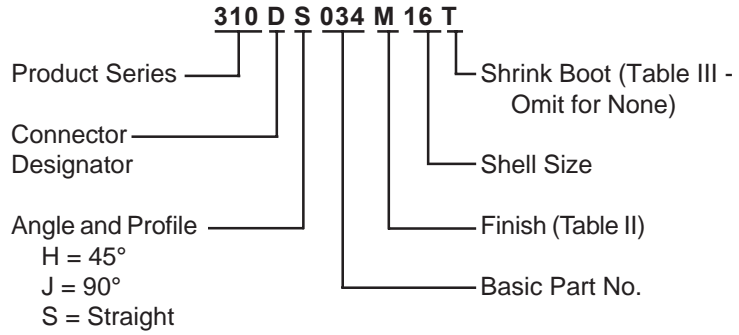
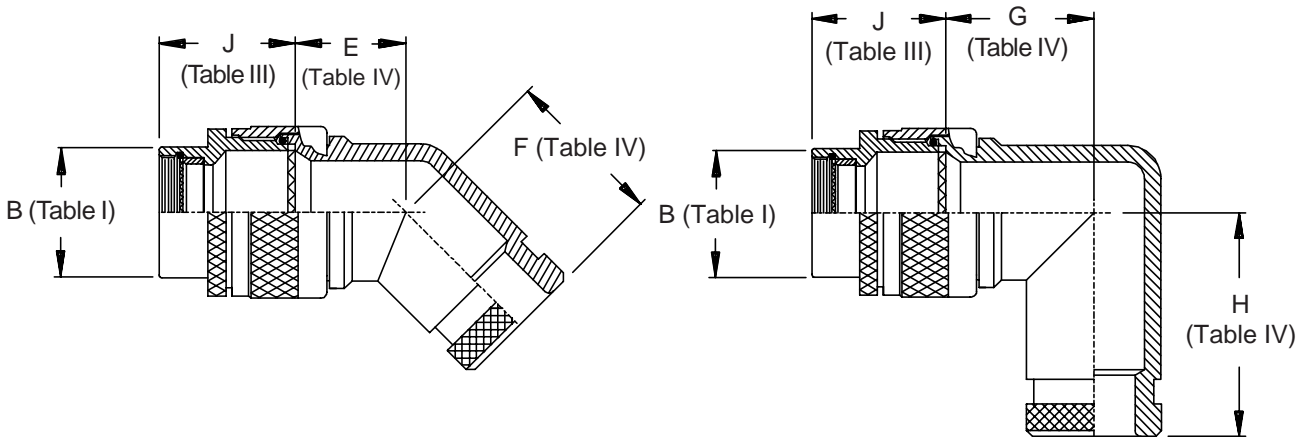


TABLE II - STANDARD FINISHES	
GLENAIR SYMBOL	FINISH
B	Cadmium Plate, Olive Drab
C	Anodize, Black
G	Hard Coat, Anodic
M	Electroless Nickel
NF	Cadmium Plate, Olive Drab Over Electroless Nickel

See Back Cover for Complete Finish Information and Additional Finish Options



**310-034**  
**O-Ring Sealed Shrink Boot Adapter**  
 Direct Coupling - Standard Profile



See inside back cover fold-out or pages 13 and 14 for unabridged Tables I and II.

TABLE III: FRONT ADAPTER			
Shell Size	J Max - Conn. Designator		
	A-E-F		
	J-H-L-S	D-B-G-K	C
08/09	1.180 (30.0)	1.250 (31.8)	
10/11	1.180 (30.0)	1.250 (31.8)	
12/13	1.180 (30.0)	1.250 (31.8)	1.735 (44.1)
14/15	1.180 (30.0)	1.250 (31.8)	1.915 (48.6)
16/17	1.380 (35.0)	1.560 (39.6)	1.915 (48.6)
18/19	1.380 (35.0)	1.560 (39.6)	1.915 (48.6)
20/21	1.380 (35.0)	1.560 (39.6)	1.915 (48.6)
22/23	1.380 (35.0)	1.560 (39.6)	1.915 (48.6)
24/25	1.380 (35.0)	1.560 (39.6)	1.915 (48.6)
28/29	1.610 (40.9)	1.560 (39.6)	1.915 (48.6)
32/33	1.610 (40.9)	1.750 (44.5)	1.915 (48.6)
36	1.610 (40.9)	1.750 (44.5)	1.915 (48.6)
40	1.610 (40.9)	2.190 (55.6)	1.915 (48.6)

TABLE IV: DIMENSIONS					
Shell Size	E Max	F Max	G Max	H Max	
08/09	.639 (16.2)	.810 (20.6)	.750 (19.1)	.920 (23.4)	
10/11	.664 (16.9)	.840 (21.3)	.810 (20.6)	.980 (24.9)	
12/13	.688 (17.5)	.860 (21.8)	.870 (22.1)	1.040 (26.4)	
14/15	.705 (17.9)	.890 (22.6)	.920 (23.4)	1.110 (28.2)	
16/17	.732 (18.6)	.910 (23.1)	.980 (24.9)	1.170 (29.7)	
18/19	.748 (19.0)	.920 (23.4)	1.020 (25.9)	1.190 (30.2)	
20/21	.773 (19.6)	.940 (23.9)	1.080 (27.4)	1.250 (31.8)	
22/23	.800 (20.3)	.980 (24.9)	1.140 (29.0)	1.330 (33.8)	
24/25	.823 (20.9)	1.010 (25.7)	1.200 (30.5)	1.400 (35.6)	
28	1.041 (26.4)	1.180 (30.0)	1.480 (37.6)	1.640 (41.7)	
32	1.092 (27.7)	1.370 (34.8)	1.610 (40.9)	1.880 (47.8)	

TABLE V: CABLE ENTRY AND SHRINK BOOT						
Shell Size	K Max	L		Cable Entry		Shrink Boot *
		Max	Min	Min	Shrink Boot *	
08	.500 (12.7)	.688 (17.5)	.250 (6.4)		202K121-25-0	
10/11	.500 (12.7)	.803 (20.4)	.355 (9.0)		202K132-25-0	
12/13	.500 (12.7)	.938 (23.8)	.491 (12.5)		202K132-25-0	
14/15	.500 (12.7)	1.063 (27.0)	.565 (14.4)		202K142-25-0	
16/17	.500 (12.7)	1.238 (31.4)	.690 (17.5)		202K153-25-0	
18	.500 (12.7)	1.310 (33.3)	.769 (19.5)		202K153-25-0	
20	.500 (12.7)	1.436 (36.5)	.844 (21.4)		202K163-25-0	
22	.500 (12.7)	1.560 (39.6)	1.019 (25.9)		202K163-25-0	
24	.500 (12.7)	1.686 (42.8)	1.134 (28.8)		202K174-25-0	
28	.687 (17.4)	2.062 (52.4)	1.369 (34.8)		202K174-25-0	
32	.687 (17.4)	2.312 (58.7)	1.615 (41.0)		202K185-25-0	
36	.687 (17.4)	2.562 (65.1)	1.830 (46.5)		202K185-25-0	
40	.687 (17.4)	2.812 (71.4)	2.045 (51.9)		202K185-25-0	

\* Raychem Shrink Boot Supplied with "T" Option  
 (see Part Number Development)

1. Cable Entry is defined as the accomodation range for the wire bundle or cable. Dimensions shown are not intended for inspection criteria.
2. See Shrink Boot Reference Information (page 40).
3. Metric dimensions (mm) are indicated in parentheses.
4. When using Connector Designator B refer to pages 18 and 19 for part number development.