

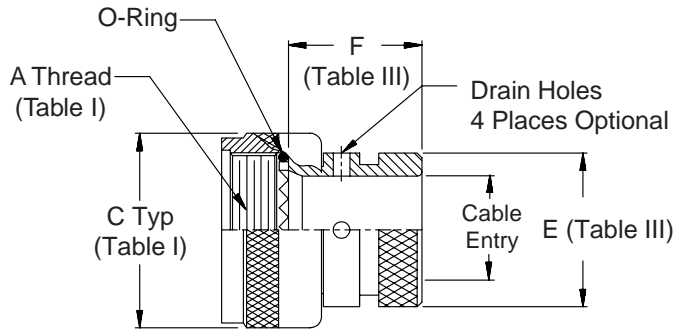
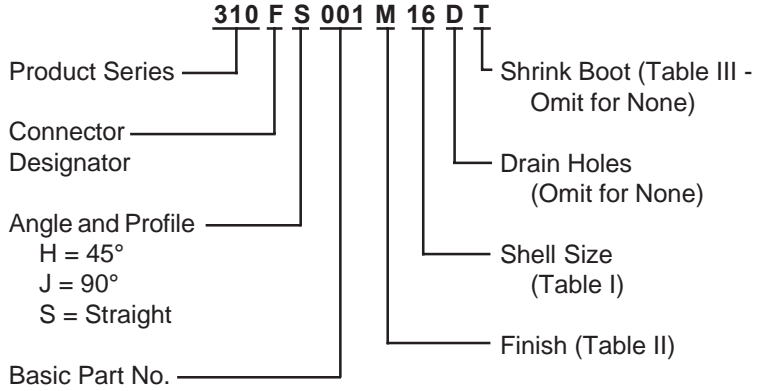
**CONNECTOR  
DESIGNATORS**

**A-F-G\***

**H-J\*-L-S**

\* Conn. Desig. G & J -  
Consult Factory For  
45° and 90°

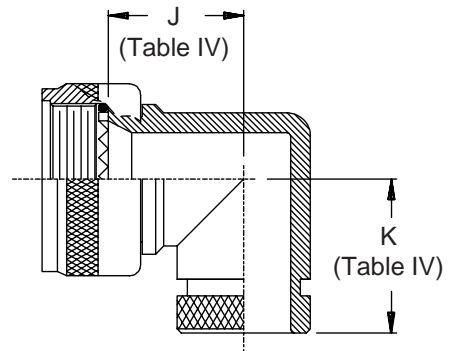
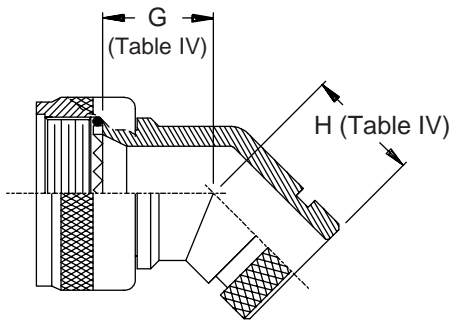
**ROTATABLE  
COUPLING**



**TABLE II - STANDARD FINISHES**

GLENAIR	
SYMBOL	FINISH
B	Cadmium Plate, Olive Drab
C	Anodize, Black
G	Hard Coat, Anodic
M	Electroless Nickel
NF	Cadmium Plate, Olive Drab Over Electroless Nickel

See Back Cover for Complete Finish Information and Additional Finish Options



**310-001**  
**O-Ring Sealed Shrink Boot Adapter**  
**Rotatable Coupling - Standard Profile**



See inside back cover fold-out or pages 13 and 14 for unabridged Tables I and II.

**TABLE III: CABLE ENTRY AND SHRINK BOOT**

Shell Size - Conn. Desig.		Cable Entry				
A-F-J-L-S	G-H	E Max	F Max	Min.	Shrink Boot *	
08	09	.533 (13.5)	.940 (23.9)	.250 (6.4)	202K121-25-0	
10	11	.605 (15.4)	.940 (23.9)	.355 (9.0)	202K121-25-0	
12	13	.774 (19.7)	.940 (23.9)	.491 (12.5)	202K121-25-0	
14	15	.838 (21.3)	.940 (23.9)	.565 (14.4)	202K121-25-0	
16	17	.963 (24.5)	.940 (23.9)	.690 (17.5)	202K132-25-0	
18	19	1.042 (26.5)	.940 (23.9)	.769 (19.5)	202K142-25-0	
20	21	1.217 (30.9)	.940 (23.9)	.894 (22.7)	202K142-25-0	
22	23	1.355 (34.4)	.940 (23.9)	1.019 (25.9)	202K153-25-0	
24	25	1.443 (36.7)	.940 (23.9)	1.134 (28.8)	202K163-25-0	
28	29	1.709 (43.4)	.940 (23.9)	1.369 (34.8)	202K174-25-0	
32	33	1.919 (48.7)	1.005 (25.5)	1.615 (41.0)	202K174-25-0	

\* Raychem Shrink Boot Supplied with "T" Option  
 (see Part Number Development)

**TABLE IV: DIMENSIONS**

Shell Size - Conn. Desig.		G	H	J	K
A-F-L-S	H	Max	Max	Max	Max
08	09	.639 (16.2)	.810 (20.6)	.750 (19.1)	.920 (23.4)
10	11	.664 (16.9)	.840 (21.3)	.810 (20.6)	.980 (24.9)
12	13	.688 (17.5)	.860 (21.8)	.870 (22.1)	1.040 (26.4)
14	15	.705 (17.9)	.890 (22.6)	.920 (23.4)	1.110 (28.2)
16	17	.732 (18.6)	.910 (23.1)	.980 (24.9)	1.170 (29.7)
18	19	.748 (19.0)	.920 (23.4)	1.020 (25.9)	1.190 (30.2)
20	21	.773 (19.6)	.940 (23.9)	1.080 (27.4)	1.250 (31.8)
22	23	.800 (20.3)	.980 (24.9)	1.140 (29.0)	1.330 (33.8)
24	25	.823 (20.9)	1.010 (25.7)	1.200 (30.5)	1.400 (35.6)
28	29	1.041 (26.4)	1.180 (30.0)	1.480 (37.6)	1.640 (41.7)
32	33	1.092 (27.7)	1.370 (34.8)	1.610 (40.9)	1.880 (47.8)

**-445** Now Available with the "NESTOR"

**Glenair's Non-Detent, Spring-Loaded, Self-Locking Coupling.**

**Add "-445" to Specify This AS85049 Style "N" Coupling Interface.**

1. See Shrink Boot Reference Information (page 40).
2. Metric dimensions (mm) are indicated in parentheses.
3. O-Rings not supplied with drain hole option.
4. O-Rings not supplied with Connector Designators A and G.