

PANEL INDICATOR LEDs - Ø6.35mm Mounting

## FEATURES



### 318 SERIES Bi-colour & Tri-colour

PACK QUANTITY = 20 PIECES

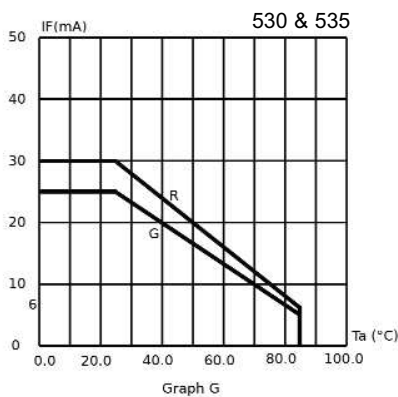
- Domed fresnel lens styling for wide viewing angle
- Flying lead terminations available
- Available as a Red/Amber/Green tri-colour indicator
- Sealed to IP40
- Supplied complete with mounting hardware
- Product illustrated 318-530-23

## SPECIFICATIONS

Ordering Information & Typical Technical Characteristics (Ta = 25°C)

Mean Time Between Failure Typically = 100,000 Hours. Luminous intensity figures refer to the unmodified discrete LED.

PART NUMBER	COLOUR	LENS	VOLTAGE DC (Vdc) Vopr	CURRENT DC (mA) Iopr	LUMINOUS INTENSITY Iv@20mA (mcd)	WAVE LENGTH λ,p (nm)	OPERATING TEMP Topr	STORAGE TEMP Tstg	
<b>BI-COLOUR STANDARD INTENSITY</b>									
318-530-04	Red/Green	Water Clear	2.0/2.2	20	30/25	627/565	-40 ~ +85 <sup>^</sup>	-40 ~ +85	Yes
318-530-20	Red/Green	Water Clear	5/6	15/20	30/25	627/565	-40 ~ +85 <sup>^</sup>	-40 ~ +85	Yes
318-530-21	Red/Green	Water Clear	12	20	30/25	627/565	-40 ~ +85 <sup>^</sup>	-40 ~ +85	Yes
318-530-23	Red/Green	Water Clear	24-28	20	30/25	627/565	-40 ~ +85 <sup>^</sup>	-40 ~ +85	Yes
<b>TRI-COLOUR STANDARD INTENSITY</b>									
318-535-04-35	Red/Green	Water Clear	2.0/2.2	20	60/50	627/565	-40 ~ +85 <sup>^</sup>	-40 ~ +85	Yes
318-535-20-35	Red/Green	Water Clear	5/6	15/20	60/50	627/565	-40 ~ +85 <sup>^</sup>	-40 ~ +85	Yes
318-535-21-35	Red/Green	Water Clear	12	20	60/50	627/565	-40 ~ +85 <sup>^</sup>	-40 ~ +85	Yes
318-535-22-35	Red/Green	Water Clear	24-28	20	60/50	627/565	-40 ~ +85 <sup>^</sup>	-40 ~ +85	Yes
<b>UNITS</b>			<b>Vdc</b>	<b>mA</b>	<b>mcd</b>	<b>nm</b>	<b>°C</b>	<b>°C</b>	



<sup>^</sup> = Products must be derated according to the derating information. Each derating graph refers to specific LEDs. Appropriate LED numbers shown.

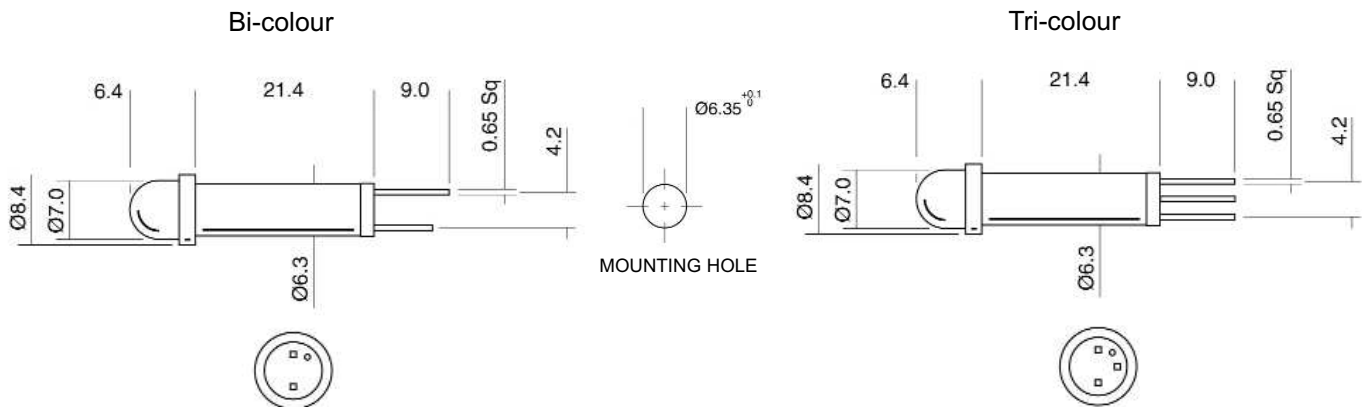
### How to Order:

website: [www.marl.co.uk](http://www.marl.co.uk) • email: [sales@marl.co.uk](mailto:sales@marl.co.uk) •

• Telephone +44 (0)1229 582430 • Fax: +44 (0)1229 585155

The information contained in this datasheet does not constitute part of any order or contract and should not be regarded as a representation relating to either products or service. Marl International reserve the right to alter without notice the specification or any conditions of supply for products or service.

### 318 Bi-colour and Tri-colour Series



Dimensions in mm (Typical)  
Not to scale

Red dot denotes red anode, green dot denotes green anode. Centre pin cathode on tri-colour version.

#### MATERIALS

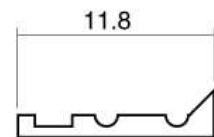
Body	Nylon 6
Panel Washer	Neoprene
Termination Pins	Tin on Nickel Plated Phosphor Bronze
Retaining Clip	Spring steel
Fresnel lens	Polycarbonate
Header	PTFE

#### PUSH-ON CONNECTORS

909-000-00 is gold plated  
910-000-00 is tin plated  
for use with 318 series.

Suitable for wire sizes from  
0.15mm<sup>2</sup> to 0.38mm<sup>2</sup> cross  
sectional area.

Dual metal contact design  
provides low resistance  
and gas tight electrical  
contact.



Dimensions in mm (Typical)  
Not to scale

#### TECHNICAL CHARACTERISTICS

SERIES	MAXIMUM POWER DISSIPATION	MAXIMUM REVERSE VOLTAGE	PANEL CUTOUT	MINIMUM MOUNTING CENTRES	MIN/MAX. PANEL THICKNESS
318	500	3	6.35	13.0	9.0
UNITS	mW	Vdc	mm	mm	mm

#### OPTIONAL FLYING LEAD TERMINATIONS

ORDER CODE SUFFIX	SUPPLY VOLTAGE	WIRE COLOUR	WIRE LENGTH	NO/DIAMETER OF CONDUCTORS	DIAMETER OVER INSULATION	COMMENTS
13	DC Products	Red-anode / Black-cathode	150mm	7/0.2mm	1.2mm	Customised lengths available
13	AC Products	Brown-live / Blue-neutral	150mm			
17	DC Products	Red-anode / Black-cathode	1000mm			
17	AC Products	Brown-live / Blue-neutral	1000mm			

#### How to Order:

website: [www.marl.co.uk](http://www.marl.co.uk) • email: [sales@marl.co.uk](mailto:sales@marl.co.uk) •

• Telephone +44 (0)1229 582430 • Fax: +44 (0)1229 585155

The information contained in this datasheet does not constitute part of any order or contract and should not be regarded as a representation relating to either products or service. Marl International reserve the right to alter without notice the specification or any conditions of supply for products or service.



BS EN ISO 9001:2000  
Approved Manufacturer

## 318 Series

Part numbers also available in the 318 Series:

PART NO.	COLOUR (Vdc) Vopr	VOLTAGE
318-502-20-03	Red	5/6Vdc
318-502-22-03	Red	24Vdc
318-503-21	Red	12Vdc
318-503-22	Red	24Vdc
318-503-22-03	Red	24Vdc
318-503-22-04	Red	24Vdc
318-506-22-03	Orange	24Vdc
318-509-22	Yellow	24Vdc
318-512-21-13	Green	12Vdc
318-512-22-03	Green	24Vdc
318-512-23	Green	24-28Vdc
318-513-23	Green	24-28Vdc
318-519-22	Blue	24Vdc
318-521-22	Yellow	24Vdc
318-530-04	Red/Green	20mA
318-530-20-50	Red/Green	5/6Vdc
318-530-22	Red/Green	24Vdc
318-530-22-50	Red/Green	24Vdc
318-535-04	Red/Green Tri	20mA
318-535-04-35	Red/Green Tri	20mA
318-535-20-35	Red/Green Tri	5/6Vdc
318-535-21	Red/Green Tri	12Vdc
318-535-21-35	Red/Green Tri	12Vdc
318-535-21-50	Red/Green Tri	12Vdc
318-535-22	Red/Green Tri	24Vdc
318-535-22-13	Red/Green Tri	24Vdc
318-535-22-17	Red/Green Tri	24Vdc
318-535-22-19	Red/Green Tri	24Vdc
318-535-22-35	Red/Green Tri	24Vdc
318-535-22-54	Red/Green Tri	24Vdc
318-535-22-55	Red/Green Tri	24Vdc
318-535-24-35	Red/Green Tri	48Vdc
318-535-71	Red/Green Tri	12Vac
318-536-21	Red/Yellow Tri	12Vdc
318-538-22	Red/Green Tri	24Vdc
UNITS		

The products listed above illustrate all of the options available to order. These products may have custom modifications that alter their operation beyond the generic information contained within this datasheet. Please contact sales for further information.

### How to Order:

website: [www.marl.co.uk](http://www.marl.co.uk) • email: [sales@marl.co.uk](mailto:sales@marl.co.uk) •

• Telephone +44 (0)1229 582430 • Fax: +44 (0)1229 585155

The information contained in this datasheet does not constitute part of any order or contract and should not be regarded as a representation relating to either products or service. Marl International reserve the right to alter without notice the specification or any conditions of supply for products or service.



BS EN ISO 9001:2000  
Approved Manufacturer