

**SXC SERIES**
**105°C, Overvoltage Vent Operation Facility,  
Snap-in Terminal Type**
**◆FEATURES**

- Load Life : 105°C 2000 hours.
- RoHS compliance.



• This series has specification of vent operation in overvoltage situation. Please consult us for any further details.

**◆SPECIFICATIONS**

Items	Characteristics						
Category Temperature Range	-25~+105°C						
Rated Voltage Range	200V.DC, 400V.DC						
Capacitance Tolerance	±20% (20°C, 120Hz)						
Leakage Current(MAX)	$I=3\sqrt{CV}$ (After 5 minutes application of rated voltage) $I$ =Leakage Current(μA) $V$ =Rated Voltage(V) $C$ =Rated Capacitance(μF)						
Dissipation Factor(MAX) (tan δ)	0.15 (20°C, 120Hz)						
Impedance Ratio(MAX)	<table border="1"> <thead> <tr> <th>Rated Voltage (V)</th> <th>200</th> <th>400</th> </tr> </thead> <tbody> <tr> <td><math>Z(-25°C)/Z(20°C)</math></td> <td>3</td> <td>8</td> </tr> </tbody> </table> (120Hz)	Rated Voltage (V)	200	400	$Z(-25°C)/Z(20°C)$	3	8
Rated Voltage (V)	200	400					
$Z(-25°C)/Z(20°C)$	3	8					
Endurance	After applying rated voltage with rated ripple current for 2000hrs at 105°C, the capacitors shall meet the following requirements. <table border="1"> <tbody> <tr> <td>Capacitance Change</td> <td>Within ±20% of the initial value.</td> </tr> <tr> <td>Dissipation Factor</td> <td>Not more than 200% of the specified value.</td> </tr> <tr> <td>Leakage Current</td> <td>Not more than the specified value.</td> </tr> </tbody> </table>	Capacitance Change	Within ±20% of the initial value.	Dissipation Factor	Not more than 200% of the specified value.	Leakage Current	Not more than the specified value.
Capacitance Change	Within ±20% of the initial value.						
Dissipation Factor	Not more than 200% of the specified value.						
Leakage Current	Not more than the specified value.						

**◆MULTIPLIER FOR RIPPLE CURRENT**

Frequency coefficient

Frequency (Hz)	60(50)	120	500	1k	10k≤	
Coefficient	200WV	0.80	1.00	1.10	1.14	1.18
	400WV	0.80	1.00	1.05	1.10	1.15

**◆PART NUMBER**

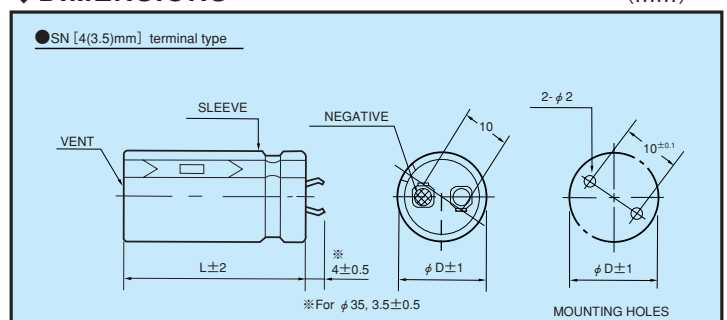
□□□	SXC	□□□□□	□	OOE	SN	D×L
Rated Voltage	Series	Rated Capacitance	Capacitance Tolerance	Option	Terminal Code	Case Size

**◆Option**

	Code
without plate	OOE
with plate	Blank

**◆DIMENSIONS**

(mm)



**◆STANDARD SIZE, RATED RIPPLE CURRENT**

Cap(μF)	WV φD	200									
		φ 20		φ 22		φ 25		φ 30		φ 35	
82	20×20	0.42									
100	20×20	0.47	22×20	0.51							
120	20×20	0.52	22×20	0.56							
150	20×25	0.69	22×25	0.69	25×20	0.63					
180	20×25	0.75	22×25	0.75	25×20	0.70					
220	20×30	0.87	22×25	0.88	25×25	0.88	30×20	0.85			
270	20×35	1.00	22×25	0.99	25×25	0.99	30×20	0.95			
330	20×40	1.20	22×30	1.20	25×25	1.20	<del>30×20</del> <del>30×25</del>	<del>1.05</del> <del>1.20</del>	35×20	1.08	
390			22×35	1.30	25×30	1.34	30×25	1.30	35×20	1.15	
470			22×40	1.44	25×30	1.44	30×25	1.48	35×25	1.48	
560			22×45	1.60	25×35	1.60	30×30	1.60	35×25	1.58	
680					25×40	1.76	30×30	1.74	35×25	1.74	
820							30×35	2.11	35×30	2.10	
1000							30×45	2.40	<del>35×30</del> <del>35×35</del>	<del>2.30</del> <del>2.30</del>	
1200									<del>35×35</del> <del>35×40</del>	<del>2.65</del> <del>2.65</del>	
1500									35×45	3.08	

Cap(μF)	WV φD	400									
		φ 20		φ 22		φ 25		φ 30		φ 35	
22	20×20	0.20									
27	20×20	0.22	22×20	0.23							
33	20×20	0.25	22×20	0.25							
39	20×25	0.35	22×20	0.28	25×20	0.30					
47	20×25	0.39	22×25	0.39	25×20	0.34					
56	20×30	0.44	22×25	0.45	<del>25×20</del> <del>25×25</del>	<del>0.39</del> <del>0.45</del>	30×20	0.41			
68	20×35	0.51	22×25	0.49	25×25	0.49	30×20	0.45			
82	20×40	0.57	22×30	0.56	25×25	0.56	<del>30×20</del> <del>30×25</del>	<del>0.50</del> <del>0.56</del>	35×20	0.51	
100			22×35	0.62	25×30	0.61	30×25	0.59	35×20	0.54	
120			22×40	0.73	25×30	0.73	30×25	0.73	35×20	0.61	
150			22×45	0.85	25×35	0.85	30×30	0.79	35×25	0.78	
180					25×40	0.94	30×30	0.95	35×25	0.95	
220					25×45	1.07	30×35	1.24	35×30	1.24	
270							<del>30×35</del> <del>30×40</del>	<del>1.35</del> <del>1.30</del>	35×35	1.28	
330							30×45	1.47	35×35	1.41	
390									35×40	1.59	
470									35×45	1.87	

↑ Ripple Current (A r.m.s./120Hz, 105°C)  
 ↑ Case Size φ D×L(mm)