

**AXW SERIES**
**◆FEATURES**

- Load Life : 105°C 2000 hours.
- Body diameter of  $\phi$  10mm to  $\phi$  18mm with high ripple current capability.
- This series is two classes smaller than the current MXW series.
- RoHS compliance.


**◆SPECIFICATIONS**

Items	Characteristics									
Category Temperature Range	-25~+105°C									
Rated Voltage Range	200~450V.DC									
Capacitance Tolerance	±20% (20°C, 120Hz)									
Leakage Current(MAX)	$I=3\sqrt{CV}$ (After 5 minutes application of rated voltage) $I$ =Leakage Current( $\mu$ A) $C$ =Rated Capacitance( $\mu$ F) $V$ =Rated Voltage(V)									
Dissipation Factor(MAX) (tan $\delta$ )	Rated Voltage (V)	200~250	400	420~450	(20°C, 120Hz)					
		0.12	0.15	0.2						
Endurance	After applying rated voltage with rated ripple current for 2000hrs at 105°C, the capacitors shall meet the following requirements. <table border="1" style="width: 100%; margin-top: 10px;"> <tr> <td>Capacitance Change</td> <td>Within ±20% of the initial value.</td> </tr> <tr> <td>Dissipation Factor</td> <td>Not more than 200% of the specified value.</td> </tr> <tr> <td>Leakage Current</td> <td>Not more than the specified value.</td> </tr> </table>				Capacitance Change	Within ±20% of the initial value.	Dissipation Factor	Not more than 200% of the specified value.	Leakage Current	Not more than the specified value.
Capacitance Change	Within ±20% of the initial value.									
Dissipation Factor	Not more than 200% of the specified value.									
Leakage Current	Not more than the specified value.									
Impedance Ratio(MAX)	Rated Voltage (V)	200~250	400~450	(120Hz)						
	$Z(-25^\circ\text{C})/Z(20^\circ\text{C})$	3	8							

**◆MULTIPLIER FOR RIPPLE CURRENT**

Frequency coefficient

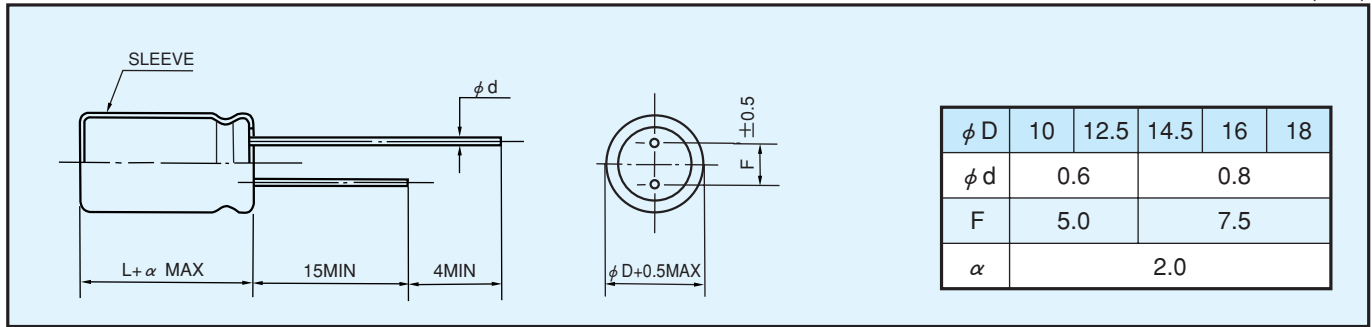
Frequency (Hz)		60(50)	120	500	1k	10k $\leq$
Coefficient	200~250WV	0.8	1.0	1.20	1.30	1.40
	400~450WV	0.8	1.0	1.25	1.40	1.50

**◆PART NUMBER**

□□□	AXW	□□□□□	□	□□□	□□	D×L
Rated Voltage	Series	Rated Capacitance	Capacitance Tolerance	Option	Lead Forming	Case Size

◆ DIMENSIONS

(mm)



◆ STANDARD SIZE, RATED RIPPLE CURRENT

Cap ( $\mu F$ )	WV $\phi D$	200					220				
		$\phi 10$	$\phi 12.5$	$\phi 14.5$	$\phi 16$	$\phi 18$	$\phi 10$	$\phi 12.5$	$\phi 14.5$	$\phi 16$	$\phi 18$
56							10×30; 0.29				
68	10×30; 0.35						10×35; 0.33				
82	10×35; 0.40						10×40; 0.37				
100	10×40; 0.46							12.5×30; 0.43			
120		12.5×30; 0.53						12.5×35; 0.49			
150		12.5×35; 0.62						12.5×40; 0.58			
180		12.5×40; 0.70	14.5×30; 0.66					14.5×35; 0.68	16×30; 0.67		
220			14.5×35; 0.80	16×30; 0.76	18×30; 0.81			14.5×40; 0.78	16×35; 0.77	18×30; 0.77	
270			14.5×40; 0.90	16×35; 0.88	18×30; 0.87				16×40; 0.88	18×35; 0.88	
330				16×40; 1.10	18×35; 1.01					18×40; 1.01	
390					18×40; 1.13					18×45; 1.13	
470					18×45; 1.27						

Cap ( $\mu F$ )	WV $\phi D$	250					400				
		$\phi 10$	$\phi 12.5$	$\phi 14.5$	$\phi 16$	$\phi 18$	$\phi 10$	$\phi 12.5$	$\phi 14.5$	$\phi 16$	$\phi 18$
22							10×30; 0.21				
27							10×35; 0.24				
33							10×40; 0.28				
39								12.5×30; 0.32			
47	10×30; 0.27							12.5×35; 0.37			
56	10×35; 0.30							12.5×40; 0.42	14.5×30; 0.42		
68	10×40; 0.35							14.5×35; 0.48			
82		12.5×30; 0.40						14.5×35; 0.52	16×30; 0.50		
100		12.5×35; 0.46							16×35; 0.58	18×30; 0.58	
120		12.5×40; 0.53	14.5×30; 0.53						16×40; 0.66	18×35; 0.67	
150			14.5×35; 0.62	16×30; 0.62						18×40; 0.77	
180			14.5×40; 0.72	16×35; 0.72	18×30; 0.72					18×45; 0.88	
220				16×40; 0.83	18×35; 0.83						
270					18×40; 0.95						
330					18×45; 1.07						

Cap ( $\mu F$ )	WV $\phi D$	420					450				
		$\phi 10$	$\phi 12.5$	$\phi 14.5$	$\phi 16$	$\phi 18$	$\phi 10$	$\phi 12.5$	$\phi 14.5$	$\phi 16$	$\phi 18$
15							10×30; 0.15				
18	10×30; 0.17						10×35; 0.18				
22	10×35; 0.20						10×40; 0.21				
27	10×40; 0.23							12.5×30; 0.25			
33		12.5×30; 0.27						12.5×35; 0.28			
39		12.5×35; 0.31						12.5×40; 0.32	14.5×30; 0.32		
47		12.5×40; 0.36	14.5×30; 0.36					14.5×35; 0.38	16×30; 0.38		
56			14.5×35; 0.43	16×30; 0.43				14.5×40; 0.44	16×35; 0.44		
68			14.5×40; 0.51	16×35; 0.51	18×30; 0.51				16×40; 0.49	18×30; 0.48	
82				16×40; 0.57	18×30; 0.57					18×35; 0.55	
100					18×35; 0.61					18×40; 0.65	
120					18×40; 0.66					18×45; 0.74	

Please check with us about individual WV, Cap., size and dimensions.

