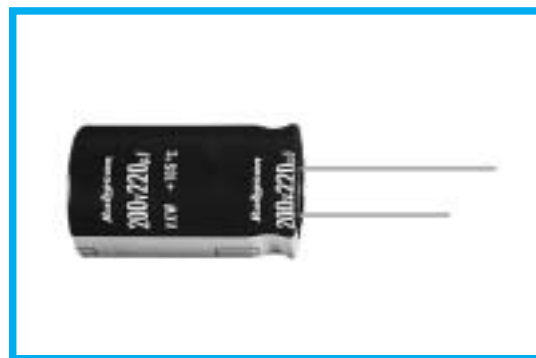


VXW SERIES
◆FEATURES

- Load Life : 105°C 10000 hours.
- Body diameter of ϕ 12.5mm to ϕ 18mm with high ripple current capability.
- Longer life than the current AXW series.
- RoHS compliance.


◆SPECIFICATIONS

Items	Characteristics								
Category Temperature Range	-25~+105°C								
Rated Voltage Range	200 · 400 · 420 · 450V.DC								
Capacitance Tolerance	±20% (20°C, 120Hz)								
Leakage Current(MAX)	$I=3\sqrt{CV}$ (After 5 minutes application of rated voltage) I =Leakage Current(μ A) C =Rated Capacitance(μ F) V =Rated Voltage(V)								
Dissipation Factor(MAX) (tan δ)	<table border="1"> <thead> <tr> <th>Rated Voltage (V)</th> <th>200</th> <th>400</th> <th>420~450</th> </tr> </thead> <tbody> <tr> <td>tan δ</td> <td>0.15</td> <td>0.15</td> <td>0.20</td> </tr> </tbody> </table> (20°C, 120Hz)	Rated Voltage (V)	200	400	420~450	tan δ	0.15	0.15	0.20
Rated Voltage (V)	200	400	420~450						
tan δ	0.15	0.15	0.20						
Endurance	After applying rated voltage with rated ripple current for 10000hrs at 105°C, the capacitors shall meet the following requirements. <table border="1"> <tbody> <tr> <td>Capacitance Change</td> <td>Within ±20% of the initial value.</td> </tr> <tr> <td>Dissipation Factor</td> <td>Not more than 200% of the specified value.</td> </tr> <tr> <td>Leakage Current</td> <td>Not more than the specified value.</td> </tr> </tbody> </table>	Capacitance Change	Within ±20% of the initial value.	Dissipation Factor	Not more than 200% of the specified value.	Leakage Current	Not more than the specified value.		
Capacitance Change	Within ±20% of the initial value.								
Dissipation Factor	Not more than 200% of the specified value.								
Leakage Current	Not more than the specified value.								
Impedance Ratio(MAX)	<table border="1"> <thead> <tr> <th>Rated Voltage (V)</th> <th>200</th> <th>400~450</th> </tr> </thead> <tbody> <tr> <td>Z(-25°C)/Z(20°C)</td> <td>3</td> <td>8</td> </tr> </tbody> </table> (120Hz)	Rated Voltage (V)	200	400~450	Z(-25°C)/Z(20°C)	3	8		
Rated Voltage (V)	200	400~450							
Z(-25°C)/Z(20°C)	3	8							

◆MULTIPLIER FOR RIPPLE CURRENT

Frequency coefficient

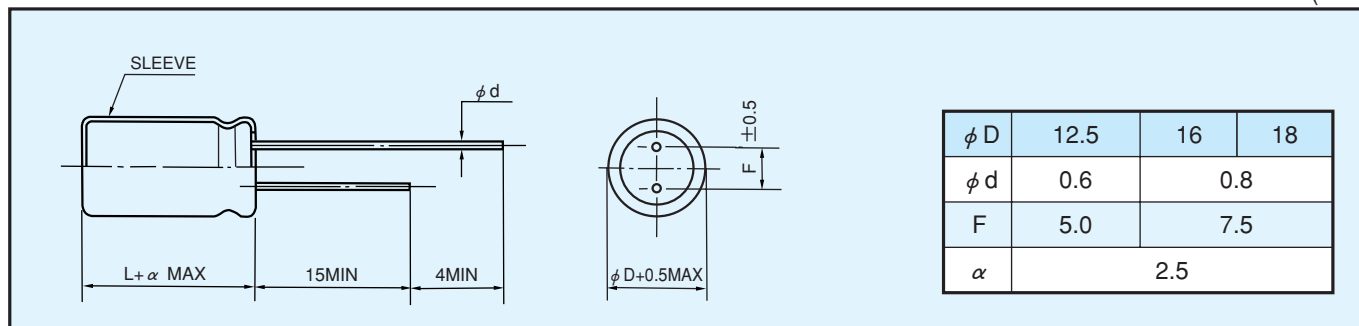
Frequency (Hz)	60(50)	120	500	1k	10k \leq
200WV	0.8	1.0	1.20	1.30	1.40
400~450WV	0.8	1.0	1.25	1.40	1.50

◆PART NUMBER

□□□	VXW	□□□□□	□	□□□	□□	DXL
Rated Voltage	Series	Rated Capacitance	Capacitance Tolerance	Option	Lead Forming	Case Size

◆ DIMENSIONS

(mm)


◆ STANDARD SIZE, RATED RIPPLE CURRENT

Cap (μF)	WV ϕD	200					
		$\phi 12.5$		$\phi 16$		$\phi 18$	
120		12.5×30	0.53				
150		12.5×35	0.62				
180		12.5×40	0.70				
220				16×30	0.76	18×30	0.81
270				16×35	0.88	18×30	0.87
330				16×40	1.10	18×35	1.01
390						18×40	1.13
470						18×45	1.27

Cap (μF)	WV ϕD	400					
		$\phi 12.5$		$\phi 16$		$\phi 18$	
39		12.5×30	0.32				
47		12.5×35	0.37				
56		12.5×40	0.42				
68				16×30	0.48		
82				16×30	0.50		
100				16×35	0.58	18×30	0.58
120				16×40	0.66	18×35	0.67
150						18×40	0.77
180						18×45	0.88

Cap (μF)	WV ϕD	420				450					
		$\phi 12.5$		$\phi 16$		$\phi 12.5$		$\phi 16$		$\phi 18$	
27						12.5×30	0.25				
33		12.5×30	0.27			12.5×35	0.28				
39		12.5×35	0.31			12.5×40	0.32				
47		12.5×40	0.36					16×30	0.38		
56				16×30	0.43			16×35	0.44		
68				16×35	0.51	18×30	0.51			16×40	0.49
82				16×40	0.57	18×30	0.57			18×30	0.55
100						18×35	0.61			18×35	0.65
120						18×40	0.66			18×40	0.74

Please check with us about individual WV, Cap., size and dimensions.

Size $\phi D \times L$ (mm) ↑
 Ripple Current (A r.m.s./105°C, 120Hz) ↑