

4250
Industrial Rubber Light



Specifications

- Designation:** Industrial Flashlight
- Power Source:** Two D Size Batteries (ANSI/NEDA 13 Series)
- Lamp:** No. KPR-102 (Rated at 2.4V, 0.7A)
- Lamp Life:** Rated at 15 Hours
- Lamp Output:** Rated at 16.5 Lumens
- Typical Weight:** 148 grams (5.3 oz.) (without batteries)

Physical Dimensions

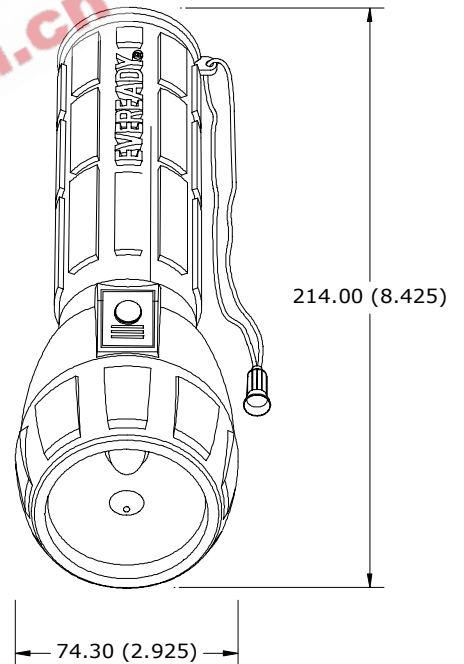
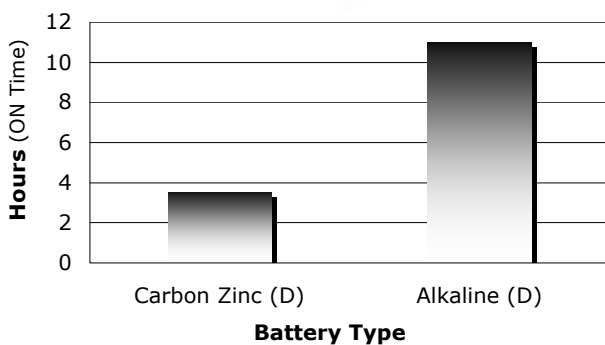
mm (inches)

Features

- Heavy Duty Rubber Flashlight
- Impact Resistant
- Bright Krypton Bulb

Typical Battery Service

700 mA Continuous
at 21°C (70°F)



Typical Battery Service to 0.9V (per battery) at 21°C (70°F)

Schedule	Battery Type	Hours (ON Time)
700 mA Continuous	1250	3.5
700 mA Continuous	E95	11

Important Notice

This datasheet contains information specific to flashlights manufactured at the time of its publication.

Contents herein do not constitute a warranty.

Copyright Eveready Battery Co. Inc. - All Rights Reserved