

HXC SERIES
NEW
105°C Higher Ripple, Snap-in Terminal Type
◆ FEATURES

- Load Life : 105°C 2000 hours.
- Higher ripple current endurance than MXC series.
- RoHS compliance.


◆ SPECIFICATIONS

| Items | Characteristics | | |
|---|---|--|-------------------|
| Category Temperature Range | -25 ~ +105°C | | |
| Rated Voltage Range | 200 ~ 450V.DC | | |
| Capacitance Tolerance | ±20% (20°C, 120Hz) | | |
| Leakage Current(MAX) | $I=3\sqrt{CV}$ (After 5 minutes application of rated voltage) I =Leakage Current (μ A) V = Rated Voltage (V) C = Rated Capacitance (μ F) | | |
| Dissipation Factor(MAX) (tan δ) | Rated Voltage (V) | 200 ~ 400 | 450 (20°C, 120Hz) |
| | tan δ | 0.15 | 0.20 |
| Impedance Ratio(MAX) | Rated Voltage (V) | 200 | 400 ~ 450 (120Hz) |
| | Z(-25°C) / Z(20°C) | 3 | 8 |
| Endurance | After applying rated voltage with rated ripple current for 2000hrs at 105°C, the capacitors shall meet the following requirements. | | |
| | Capacitance Change | Within ±20% of the initial value. | |
| | Dissipation Factor | Not more than 200% of the specified value. | |
| | Leakage Current | Not more than the specified value. | |

◆ MULTIPLIER FOR RIPPLE CURRENT

Frequency coefficient

| Frequency (Hz) | 60(50) | 120 | 500 | 1k | 10k \leq | |
|----------------|-----------|------|------|------|------------|------|
| Coefficient | 200WV | 0.80 | 1.00 | 1.20 | 1.30 | 1.50 |
| | 400~450WV | 0.80 | 1.00 | 1.20 | 1.25 | 1.40 |

◆ PART NUMBER

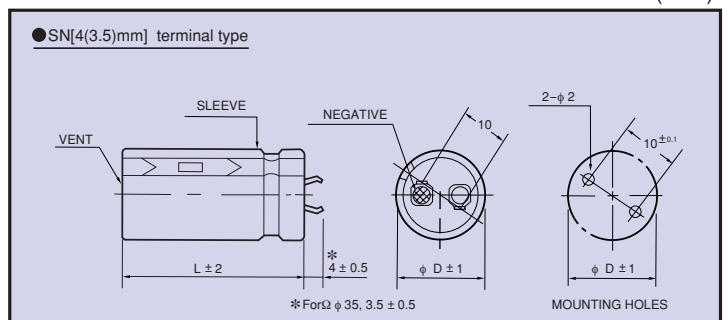
| | | | | | | |
|---------------|--------|-------------------|-----------------------|--------|---------------|-----------|
| □□□ | HXC | □□□□□ | □ | OOE | SN | D × L |
| Rated Voltage | Series | Rated Capacitance | Capacitance Tolerance | Option | Terminal Code | Case Size |

◆ Option

| | Code |
|---------------|-------|
| without plate | OOE |
| with plate | Blank |

◆ DIMENSIONS

(mm)



◆ STANDARD SIZE, RATED RIPPLE CURRENT

| Cap(μF) | WV φ D | 200 | | | | | | | |
|---------|-----------|---------|------|---------|------|---------|------|---------|------|
| | | φ 22 | | φ 25 | | φ 30 | | φ 35 | |
| 270 | | 22 × 25 | 1.64 | | | | | | |
| 330 | | 22 × 30 | 1.89 | | | | | | |
| 390 | | 22 × 35 | 2.14 | 25 × 25 | 1.99 | | | | |
| 470 | | 22 × 40 | 2.41 | 25 × 30 | 2.32 | 30 × 25 | 2.27 | | |
| 560 | | 22 × 45 | 2.71 | 25 × 35 | 2.63 | 30 × 25 | 2.43 | | |
| 680 | | 22 × 50 | 3.06 | 25 × 35 | 2.81 | 30 × 30 | 2.82 | | |
| 820 | | | | 25 × 45 | 3.32 | 30 × 30 | 2.94 | 35 × 25 | 2.56 |
| 1000 | | | | 25 × 50 | 3.72 | 30 × 35 | 3.36 | 35 × 30 | 3.07 |
| 1200 | | | | | | 30 × 40 | 3.78 | 35 × 35 | 3.57 |
| 1500 | | | | | | 30 × 50 | 4.48 | 35 × 40 | 4.01 |
| 1800 | | | | | | | | 35 × 45 | 4.44 |
| 2200 | | | | | | | | 35 × 50 | 4.90 |

| Cap(μF) | WV φ D | 400 | | | | | | | |
|---------|-----------|---------|------|---------|------|---------|------|---------|------|
| | | φ 22 | | φ 25 | | φ 30 | | φ 35 | |
| 82 | | 22 × 30 | 0.81 | | | | | | |
| 100 | | 22 × 35 | 0.99 | 25 × 25 | 0.99 | | | | |
| 120 | | 22 × 40 | 1.19 | 25 × 30 | 1.19 | | | | |
| 150 | | 22 × 45 | 1.43 | 25 × 35 | 1.43 | 30 × 25 | 1.41 | | |
| 180 | | 22 × 50 | 1.60 | 25 × 40 | 1.61 | 30 × 30 | 1.61 | | |
| 220 | | | | 25 × 45 | 1.83 | 30 × 35 | 1.84 | | |
| 270 | | | | 25 × 50 | 2.06 | 30 × 40 | 2.10 | 35 × 30 | 2.00 |
| 330 | | | | | | 30 × 45 | 2.36 | 35 × 35 | 2.29 |
| 390 | | | | | | 30 × 50 | 2.62 | 35 × 40 | 2.56 |
| 470 | | | | | | | | 35 × 45 | 2.86 |
| 560 | | | | | | | | 35 × 50 | 3.15 |

| Cap(μF) | WV φ D | 450 | | | | | | | |
|---------|-----------|---------|------|---------|------|---------|------|---------|------|
| | | φ 22 | | φ 25 | | φ 30 | | φ 35 | |
| 68 | | 22 × 30 | 0.67 | | | | | | |
| 82 | | 22 × 35 | 0.81 | 25 × 25 | 0.81 | | | | |
| 100 | | 22 × 40 | 0.99 | 25 × 30 | 0.99 | | | | |
| 120 | | 22 × 45 | 1.19 | 25 × 35 | 1.19 | 30 × 25 | 1.19 | | |
| 150 | | | | 25 × 40 | 1.49 | 30 × 30 | 1.49 | 35 × 25 | 1.49 |
| 180 | | | | 25 × 45 | 1.68 | 30 × 35 | 1.70 | 35 × 25 | 1.61 |
| 220 | | | | 25 × 50 | 1.89 | 30 × 40 | 1.92 | 35 × 30 | 1.85 |
| 270 | | | | | | 30 × 45 | 2.18 | 35 × 35 | 2.12 |
| 330 | | | | | | 30 × 50 | 2.45 | 35 × 40 | 2.41 |
| 390 | | | | | | | | 35 × 45 | 2.67 |
| 470 | | | | | | | | 35 × 50 | 2.97 |

↑ Ripple Current (A r.m.s./120Hz, 105°C)
 ↑ Case Size φ D × L(mm)