

Cathode to Stud Shown
(Anode to Stud add Suffix R)

Symbol



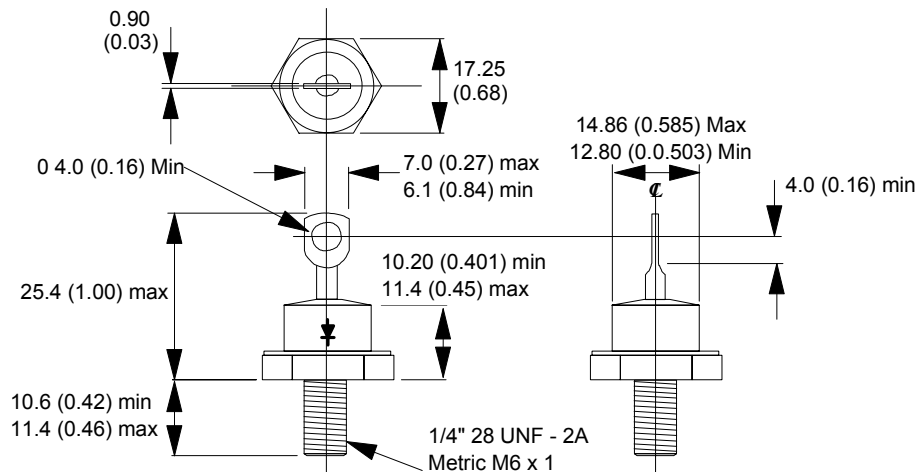
MAXIMUM RATINGS ($T_j = 25^\circ C$ unless stated otherwise)

Parameter	Symbol	40HF(R) -10	40HF(R) -20	40HF(R) -40	40HF(R) -60	40HF(R) -80	40HF(R) -100	40HF(R) -120	40HF(R) -140	40HF(R) -160	Unit
Repetitive Peak Reverse Voltage	V_{RRM}	100 1600	200	400	600	800	1000	1200	1400		Volt
Maximum Average On-State Current	$I_{F(AV)}$	40 at $t_j = 140^\circ C$							40 at $t_j = 110^\circ C$		Amp
Peak Forward Surge Current 8.3ms	I_{FSM}	595							500		Amp
Maximum I^2T for Fusing 8.3ms	I^2T	1450							1050		A 2 /S
Maximum Storage Temperature Range	$T_{(STG)}$	-40 to +190							-65 to +160		$^\circ C$
Maximum Junction Temperature Range	T_j	-40 to +190							-65 to +160		$^\circ C$

ELECTRICAL CHARACTERISTICS at $T_j = 25^\circ C$ Maximum. Unless stated Otherwise

Parameter	Symbol	Condition	Value			Unit
			Min	Typ	Max	
Maximum Forward Voltage	V_{FM}	$I_{FM} = 125$ Amps (100 -1200V)			1.30	Volt
Maximum Forward Voltage	V_{FM}	$I_{FM} = 125$ Amps (1400 -1600V)			1.50	Volt
Repetitive Peak Reverse Current	I_{RRM}	$V_R = V_{RRM}, t_j = t_j \text{ Max}(100 -1200V)$			9.0	mA
Repetitive Peak Reverse Current	I_{RRM}	$V_R = V_{RRM}, t_j = t_j \text{ Max}(1400 -1600V)$			4.5	mA
Thermal Resistance (Junction to Case)	$R_{TH(j-c)}$				0.95	$^\circ C/W$
Mounting Torque	M_T				2.5	NM
Weight	Wt				17	grms

Mechanical Outline



Case: DO-203AB (DO-5)

Case: Metal/ Glass to Metal Seal
All Dimensions in Millimeters (Inches)