

**MXG SERIES**
**105°C Miniaturized, Snap-in Terminal Type**
**◆FEATURES**

- Load Life : 105°C 2000 hours.
- Smaller size than MXC series.
- RoHS compliance.


**◆SPECIFICATIONS**

Items	Characteristics						
Category Temperature Range	-25~+105°C						
Rated Voltage Range	160~450V.DC						
Capacitance Tolerance	±20% (20°C, 120Hz)						
Leakage Current(MAX)	$I=3\sqrt{CV}$ (After 5 minutes application of rated voltage) $I$ =Leakage Current( $\mu$ A) $V$ =Rated Voltage(V) $C$ =Rated Capacitance( $\mu$ F)						
Dissipation Factor(MAX) (tan $\delta$ )	0.2 (20°C, 120Hz)						
Impedance Ratio(MAX)	<table border="1"> <thead> <tr> <th>Rated Voltage (V)</th> <th>160~250</th> <th>400~450</th> </tr> </thead> <tbody> <tr> <td>Z(-25°C)/Z(20°C)</td> <td>4</td> <td>8</td> </tr> </tbody> </table> (120Hz)	Rated Voltage (V)	160~250	400~450	Z(-25°C)/Z(20°C)	4	8
Rated Voltage (V)	160~250	400~450					
Z(-25°C)/Z(20°C)	4	8					
Endurance	After applying rated voltage with rated ripple current for 2000hrs at 105°C, the capacitors shall meet the following requirements. <table border="1"> <tbody> <tr> <td>Capacitance Change</td> <td>Within ±20% of the initial value.</td> </tr> <tr> <td>Dissipation Factor</td> <td>Not more than 200% of the specified value.</td> </tr> <tr> <td>Leakage Current</td> <td>Not more than the specified value.</td> </tr> </tbody> </table>	Capacitance Change	Within ±20% of the initial value.	Dissipation Factor	Not more than 200% of the specified value.	Leakage Current	Not more than the specified value.
Capacitance Change	Within ±20% of the initial value.						
Dissipation Factor	Not more than 200% of the specified value.						
Leakage Current	Not more than the specified value.						

**◆MULTIPLIER FOR RIPPLE CURRENT**

Frequency coefficient

Frequency (Hz)	60(50)	120	500	1k	10k≤
Coefficient	0.80	1.00	1.20	1.30	1.50
	0.80	1.00	1.20	1.25	1.40

**◆PART NUMBER**

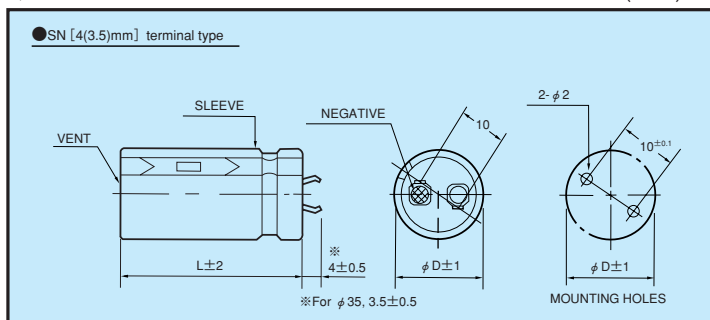
□□□	MXG	□□□□□	□	OOE	SN	D×L
Rated Voltage	Series	Rated Capacitance	Capacitance Tolerance	Option	Terminal Code	Case Size

**◆Option**

	Code
without plate	OOE
with plate	Blank

**◆DIMENSIONS**

(mm)





◆ STANDARD SIZE, RATED RIPPLE CURRENT

Cap ( $\mu$ F)	WV $\phi$ D	160					180				
		$\phi$ 20	$\phi$ 22	$\phi$ 25	$\phi$ 30	$\phi$ 35	$\phi$ 20	$\phi$ 22	$\phi$ 25	$\phi$ 30	$\phi$ 35
330		20×25; 1.17					20×25; 1.20				
390		20×25; 1.28					20×30; 1.28	22×25; 1.28			
470		20×30; 1.40	22×25; 1.40				20×35; 1.38	22×30; 1.38			
560		20×35; 1.50	22×30; 1.50				20×40; 1.50	22×30; 1.50	25×25; 1.50		
680		20×40; 1.70	22×30; 1.70	25×25; 1.70			20×45; 1.70	22×35; 1.70	25×30; 1.70		
820			22×35; 2.00	25×30; 2.00				22×40; 2.00	25×35; 2.00	30×25; 2.00	
1000			22×40; 2.20	25×35; 2.20	30×25; 2.20				25×40; 2.20	30×30; 2.20	35×25; 2.20
1200				25×40; 2.30	30×30; 2.30	35×25; 2.30			25×45; 2.30	30×35; 2.30	35×30; 2.30
1500				25×45; 2.50	30×35; 2.50	35×30; 2.50			25×50; 2.50	30×40; 2.50	35×30; 2.50
1800					30×40; 2.70	35×35; 2.70				30×45; 2.70	35×35; 2.70
2200					30×45; 2.90	35×40; 2.90				30×50; 2.90	35×40; 2.90
2700						35×45; 3.10					35×50; 3.10

Cap ( $\mu$ F)	WV $\phi$ D	200					220				
		$\phi$ 20	$\phi$ 22	$\phi$ 25	$\phi$ 30	$\phi$ 35	$\phi$ 20	$\phi$ 22	$\phi$ 25	$\phi$ 30	$\phi$ 35
220							20×25; 0.98				
270		20×25; 0.99					20×30; 1.08	22×25; 1.08			
330		20×30; 1.20	22×25; 1.20				20×30; 1.26	22×25; 1.26			
390		20×30; 1.34	22×25; 1.34				20×35; 1.34	22×30; 1.34	25×25; 1.34		
470		20×35; 1.48	22×30; 1.48	25×25; 1.48			20×40; 1.48	22×35; 1.48	25×25; 1.48		
560		20×40; 1.60	22×35; 1.60	25×25; 1.60			20×45; 1.61	22×40; 1.61	25×30; 1.61	30×25; 1.61	
680			22×40; 1.75	25×30; 1.75	30×25; 1.75			22×45; 1.78	25×35; 1.78	30×25; 1.78	
820			22×45; 2.04	25×35; 2.04	30×25; 2.04			22×50; 1.93	25×40; 1.93	30×30; 1.93	35×25; 1.93
1000				25×45; 2.30	30×30; 2.30				25×50; 2.33	30×35; 2.33	35×30; 2.33
1200				25×50; 2.65	30×35; 2.65	35×30; 2.65					
1500					30×45; 2.80	35×35; 2.80				30×50; 2.76	35×40; 2.76
1800					30×50; 3.08	35×40; 3.08					35×45; 3.11
2200						35×45; 3.48					

Cap ( $\mu$ F)	WV $\phi$ D	250					400				
		$\phi$ 20	$\phi$ 22	$\phi$ 25	$\phi$ 30	$\phi$ 35	$\phi$ 20	$\phi$ 22	$\phi$ 25	$\phi$ 30	$\phi$ 35
68							20×25; 0.49				
82							20×25; 0.57	22×25; 0.57			
100							20×30; 0.70	22×25; 0.70			
120							20×35; 0.75	22×30; 0.75	25×25; 0.75		
150							20×40; 0.88	22×35; 0.88	25×25; 0.88		
180								22×35; 0.95	25×30; 0.95	30×25; 0.95	
220		20×25; 1.00						22×45; 1.10	25×35; 1.10	30×25; 1.10	
270		20×30; 1.10	22×25; 1.10					22×50; 1.22	25×40; 1.22	30×30; 1.22	35×25; 1.22
330		20×35; 1.20	22×30; 1.20	25×25; 1.20					25×45; 1.44	30×35; 1.44	35×30; 1.44
390		20×40; 1.30	22×35; 1.30	25×25; 1.30					25×50; 1.55	30×40; 1.55	35×30; 1.55
470		20×45; 1.40	22×40; 1.40	25×30; 1.40	30×25; 1.40					30×45; 1.68	35×35; 1.66
560			22×45; 1.50	25×35; 1.50	30×25; 1.50					30×50; 1.90	35×40; 1.90
680			22×50; 1.70	25×40; 1.70	30×30; 1.70	35×25; 1.70					35×45; 2.12
820				25×45; 2.00	30×35; 2.00	35×30; 2.00					
1000					30×40; 2.20	35×35; 2.20					
1200					30×45; 2.30	35×35; 2.30					
1500						35×45; 2.50					
1800						35×50; 2.70					

Cap ( $\mu$ F)	WV $\phi$ D	420					450				
		$\phi$ 20	$\phi$ 22	$\phi$ 25	$\phi$ 30	$\phi$ 35	$\phi$ 20	$\phi$ 22	$\phi$ 25	$\phi$ 30	$\phi$ 35
56							20×25; 0.44				
68		20×25; 0.50					20×25; 0.50	22×25; 0.50			
82		20×25; 0.64	22×25; 0.64				20×30; 0.64	22×25; 0.64			
100		20×30; 0.66	22×25; 0.66	25×25; 0.66			20×35; 0.69	22×30; 0.69	25×25; 0.69		
120		20×35; 0.81	22×30; 0.81	25×25; 0.81			20×35; 0.72	22×30; 0.72	25×25; 0.72		
150		20×40; 0.84	22×35; 0.84	25×30; 0.84	30×25; 0.84		20×45; 0.79	22×35; 0.79	25×30; 0.79	30×25; 0.79	
180		20×45; 0.91	22×40; 0.91	25×30; 0.91	30×25; 0.91			22×40; 0.87	25×35; 0.87	30×25; 0.87	
220			22×45; 1.05	25×35; 1.05	30×30; 1.05	35×25; 1.05		22×50; 1.05	25×40; 1.05	30×30; 1.05	35×25; 1.05
270				25×40; 1.25	30×30; 1.25	35×25; 1.25			25×45; 1.23	30×35; 1.23	35×30; 1.23
330				25×50; 1.42	30×35; 1.42	35×30; 1.42			25×50; 1.38	30×40; 1.38	35×30; 1.38
390					30×40; 1.61	35×35; 1.61				30×45; 1.61	35×35; 1.61
470					30×45; 1.86	35×40; 1.86				30×50; 1.78	35×40; 1.78
560						35×45; 2.10					35×45; 1.99
680						35×50; 2.20					

↑ Ripple Current (A r.m.s./120Hz, 105°C)  
 ↑ Case Size  $\phi$  D×L(mm)