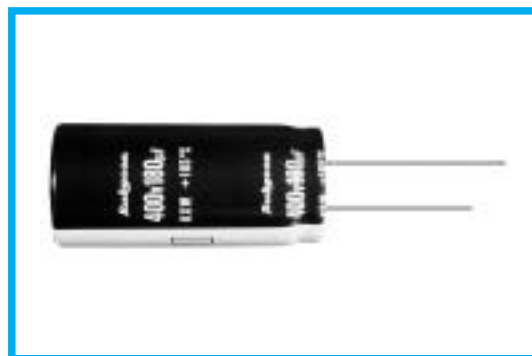


KXW SERIES
◆FEATURES

- Load Life : 105°C 2000 hours.
- Body diameter of ϕ 10mm to ϕ 18mm with high ripple current capability.
- This series is one class smaller than the current AXW series.
- For switching adapter.
- RoHS compliance.


◆SPECIFICATIONS

| Items | Characteristics | | | | | | | | |
|--|---|--------------------|--|--------------------|--|-----------------|------------------------------------|------|------|
| Category Temperature Range | -25~+105°C | | | | | | | | |
| Rated Voltage Range | 200 · 400 · 420 · 450V.DC | | | | | | | | |
| Capacitance Tolerance | ±20% (20°C, 120Hz) | | | | | | | | |
| Leakage Current(MAX) | $I=3\sqrt{CV}$ (After 5 minutes application of rated voltage) I =Leakage Current(μ A) C =Rated Capacitance(μ F) V =Rated Voltage(V) | | | | | | | | |
| Dissipation Factor(MAX) (tan δ) | <table border="1"> <thead> <tr> <th>Rated Voltage (V)</th> <th>200</th> <th>400</th> <th>420~450</th> </tr> </thead> <tbody> <tr> <td></td> <td>0.12</td> <td>0.15</td> <td>0.20</td> </tr> </tbody> </table> (20°C, 120Hz) | Rated Voltage (V) | 200 | 400 | 420~450 | | 0.12 | 0.15 | 0.20 |
| Rated Voltage (V) | 200 | 400 | 420~450 | | | | | | |
| | 0.12 | 0.15 | 0.20 | | | | | | |
| Endurance | After applying rated voltage with rated ripple current for 2000hrs at 105°C, the capacitors shall meet the following requirements. <table border="1"> <tbody> <tr> <td>Capacitance Change</td> <td>Within \pm20% of the initial value.</td> </tr> <tr> <td>Dissipation Factor</td> <td>Not more than 200% of the specified value.</td> </tr> <tr> <td>Leakage Current</td> <td>Not more than the specified value.</td> </tr> </tbody> </table> | Capacitance Change | Within \pm 20% of the initial value. | Dissipation Factor | Not more than 200% of the specified value. | Leakage Current | Not more than the specified value. | | |
| Capacitance Change | Within \pm 20% of the initial value. | | | | | | | | |
| Dissipation Factor | Not more than 200% of the specified value. | | | | | | | | |
| Leakage Current | Not more than the specified value. | | | | | | | | |
| Impedance Ratio(MAX) | <table border="1"> <thead> <tr> <th>Rated Voltage (V)</th> <th>200</th> <th>400~450</th> </tr> </thead> <tbody> <tr> <td>$Z(-25^{\circ}\text{C})/Z(20^{\circ}\text{C})$</td> <td>3</td> <td>8</td> </tr> </tbody> </table> (120Hz) | Rated Voltage (V) | 200 | 400~450 | $Z(-25^{\circ}\text{C})/Z(20^{\circ}\text{C})$ | 3 | 8 | | |
| Rated Voltage (V) | 200 | 400~450 | | | | | | | |
| $Z(-25^{\circ}\text{C})/Z(20^{\circ}\text{C})$ | 3 | 8 | | | | | | | |

◆MULTIPLIER FOR RIPPLE CURRENT

Frequency coefficient

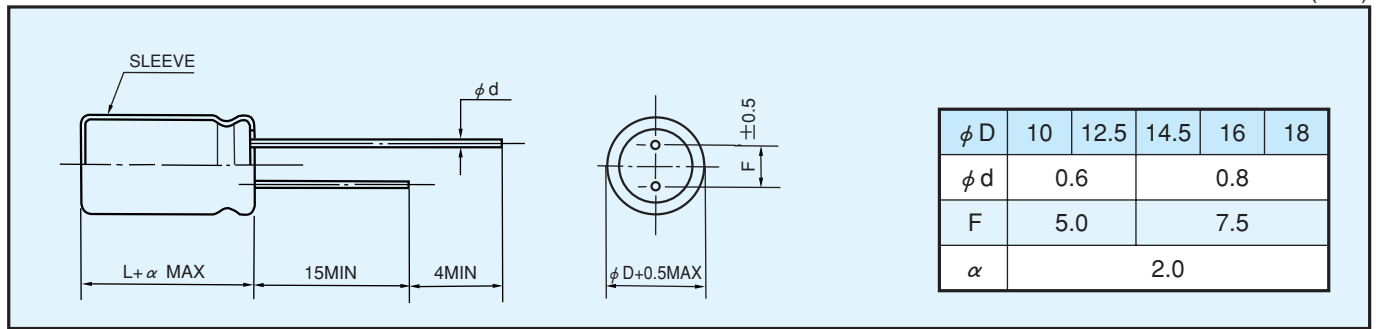
| Frequency (Hz) | | 60 (50) | 120 | 500 | 1k | 10k \leq |
|----------------|-----------|---------|-----|------|------|------------|
| Coefficient | 200WV | 0.8 | 1.0 | 1.20 | 1.30 | 1.40 |
| | 400~450WV | 0.8 | 1.0 | 1.25 | 1.40 | 1.50 |

◆PART NUMBER

| | | | | | | |
|---------------|--------|-------------------|-----------------------|--------|--------------|-----------|
| □□□ | KXW | □□□□□ | □ | □□□ | □□ | DXL |
| Rated Voltage | Series | Rated Capacitance | Capacitance Tolerance | Option | Lead Forming | Case Size |

◆ DIMENSIONS

(mm)



◆ STANDARD SIZE, RATED RIPPLE CURRENT

| WV Cap(μF) | φD | 200 | | | | | 400 | | | | |
|---------------|-------|------|---------------|---------------|-------------|-------------|-------------|---------------|---------------|-------------|-------------|
| | | φ 10 | φ 12.5 | φ 14.5 | φ 16 | φ 18 | φ 10 | φ 12.5 | φ 14.5 | φ 16 | φ 18 |
| 27 | | | | | | | 10X30: 0.24 | | | | |
| 33 | | | | | | | 10X35: 0.28 | | | | |
| 39 | | | | | | | 10X40: 0.32 | | | | |
| 47 | | | | | | | | 12.5X30: 0.37 | | | |
| 56 | | | | | | | | 12.5X35: 0.42 | | | |
| 68 | | | | | | | | 12.5X40: 0.48 | 14.5X30: 0.48 | | |
| 82 | 10X30 | 0.40 | | | | | | | 14.5X35: 0.52 | | |
| 100 | 10X35 | 0.46 | | | | | | | 14.5X40: 0.58 | 16X30: 0.58 | |
| 120 | 10X40 | 0.53 | | | | | | | | 16X35: 0.67 | 18X30: 0.67 |
| 150 | | | 12.5X30: 0.62 | | | | | | | 16X40: 0.77 | 18X35: 0.77 |
| 180 | | | 12.5X35: 0.70 | | | | | | | | 18X40: 0.88 |
| 220 | | | 12.5X40: 0.80 | 14.5X30: 0.80 | | | | | | | 18X45: 1.00 |
| 270 | | | | 14.5X35: 0.87 | 16X30: 0.87 | | | | | | |
| 330 | | | | | 16X35: 1.01 | 18X30: 1.01 | | | | | |
| 390 | | | | | 16X40: 1.13 | 18X35: 1.13 | | | | | |
| 470 | | | | | | 18X40: 1.27 | | | | | |
| 560 | | | | | | 18X45: 1.39 | | | | | |

| WV Cap(μF) | φD | 420 | | | | | 450 | | | | |
|---------------|-------|------|---------------|---------------|-------------|-------------|-------------|---------------|---------------|-------------|-------------|
| | | φ 10 | φ 12.5 | φ 14.5 | φ 16 | φ 18 | φ 10 | φ 12.5 | φ 14.5 | φ 16 | φ 18 |
| 18 | | | | | | | 10X30: 0.18 | | | | |
| 22 | 10X30 | 0.20 | | | | | 10X35: 0.21 | | | | |
| 27 | 10X35 | 0.23 | | | | | 10X40: 0.25 | | | | |
| 33 | 10X40 | 0.27 | | | | | | 12.5X30: 0.28 | | | |
| 39 | | | 12.5X30: 0.31 | | | | | 12.5X35: 0.32 | | | |
| 47 | | | 12.5X35: 0.36 | | | | | 12.5X40: 0.38 | 14.5X30: 0.38 | | |
| 56 | | | 12.5X40: 0.43 | 14.5X30: 0.43 | | | | | 14.5X35: 0.44 | 16X30: 0.44 | |
| 68 | | | | 14.5X35: 0.51 | 16X30: 0.51 | | | | 14.5X40: 0.49 | 16X35: 0.49 | |
| 82 | | | | 14.5X40: 0.57 | 16X35: 0.57 | | | | | 16X40: 0.55 | 18X30: 0.55 |
| 100 | | | | | 16X40: 0.61 | 18X30: 0.61 | | | | | 18X35: 0.65 |
| 120 | | | | | | 18X35: 0.66 | | | | | 18X40: 0.74 |
| 150 | | | | | | 18X40: 0.71 | | | | | 18X45: 0.80 |

Please check with us about individual WV, Cap., size and dimensions.

Size φD×L(mm) ↑
Ripple Current (A r.m.s./120Hz, 105°C) ↑