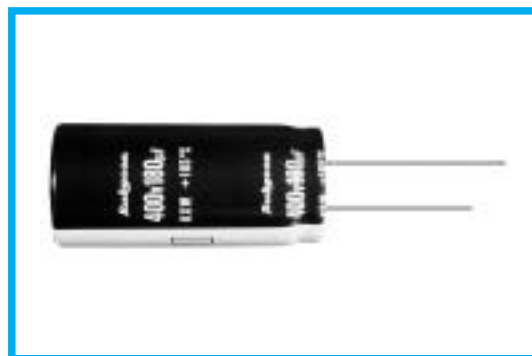


KXW SERIES
◆FEATURES

- Load Life : 105°C 2000 hours.
- Body diameter of ϕ 10mm to ϕ 18mm with high ripple current capability.
- This series is one class smaller than the current AXW series.
- For switching adapter.
- RoHS compliance.


◆SPECIFICATIONS

Items	Characteristics								
Category Temperature Range	-25~+105°C								
Rated Voltage Range	200 · 400 · 420 · 450V.DC								
Capacitance Tolerance	±20% (20°C, 120Hz)								
Leakage Current(MAX)	$I=3\sqrt{CV}$ (After 5 minutes application of rated voltage) I =Leakage Current(μ A) C =Rated Capacitance(μ F) V =Rated Voltage(V)								
Dissipation Factor(MAX) (tan δ)	<table border="1"> <thead> <tr> <th>Rated Voltage (V)</th> <th>200</th> <th>400</th> <th>420~450</th> </tr> </thead> <tbody> <tr> <td></td> <td>0.12</td> <td>0.15</td> <td>0.20</td> </tr> </tbody> </table> (20°C, 120Hz)	Rated Voltage (V)	200	400	420~450		0.12	0.15	0.20
Rated Voltage (V)	200	400	420~450						
	0.12	0.15	0.20						
Endurance	After applying rated voltage with rated ripple current for 2000hrs at 105°C, the capacitors shall meet the following requirements. <table border="1"> <tbody> <tr> <td>Capacitance Change</td> <td>Within ±20% of the initial value.</td> </tr> <tr> <td>Dissipation Factor</td> <td>Not more than 200% of the specified value.</td> </tr> <tr> <td>Leakage Current</td> <td>Not more than the specified value.</td> </tr> </tbody> </table>	Capacitance Change	Within ±20% of the initial value.	Dissipation Factor	Not more than 200% of the specified value.	Leakage Current	Not more than the specified value.		
Capacitance Change	Within ±20% of the initial value.								
Dissipation Factor	Not more than 200% of the specified value.								
Leakage Current	Not more than the specified value.								
Impedance Ratio(MAX)	<table border="1"> <thead> <tr> <th>Rated Voltage (V)</th> <th>200</th> <th>400~450</th> </tr> </thead> <tbody> <tr> <td>Z(-25°C)/Z(20°C)</td> <td>3</td> <td>8</td> </tr> </tbody> </table> (120Hz)	Rated Voltage (V)	200	400~450	Z(-25°C)/Z(20°C)	3	8		
Rated Voltage (V)	200	400~450							
Z(-25°C)/Z(20°C)	3	8							

◆MULTIPLIER FOR RIPPLE CURRENT

Frequency coefficient

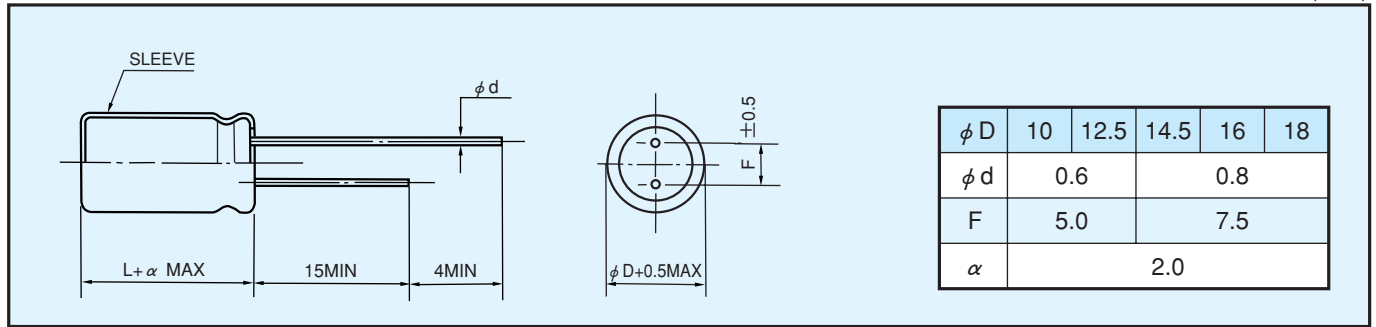
Frequency (Hz)		60 (50)	120	500	1k	10k \leq
Coefficient	200WV	0.8	1.0	1.20	1.30	1.40
	400~450WV	0.8	1.0	1.25	1.40	1.50

◆PART NUMBER

□□□	KXW	□□□□□	□	□□□	□□	DXL
Rated Voltage	Series	Rated Capacitance	Capacitance Tolerance	Option	Lead Forming	Case Size

◆ DIMENSIONS

(mm)



◆ STANDARD SIZE, RATED RIPPLE CURRENT

WV Cap(μF)	φD	200					400				
		φ 10	φ 12.5	φ 14.5	φ 16	φ 18	φ 10	φ 12.5	φ 14.5	φ 16	φ 18
27							10X30: 0.24				
33							10X35: 0.28				
39							10X40: 0.32				
47								12.5X30: 0.37			
56								12.5X35: 0.42			
68								12.5X40: 0.48	14.5X30: 0.48		
82	10X30	0.40							14.5X35: 0.52		
100	10X35	0.46							14.5X40: 0.58	16X30: 0.58	
120	10X40	0.53								16X35: 0.67	18X30: 0.67
150			12.5X30: 0.62							16X40: 0.77	18X35: 0.77
180			12.5X35: 0.70								18X40: 0.88
220			12.5X40: 0.80	14.5X30: 0.80							18X45: 1.00
270				14.5X35: 0.87	16X30: 0.87						
330					16X35: 1.01	18X30: 1.01					
390					16X40: 1.13	18X35: 1.13					
470						18X40: 1.27					
560						18X45: 1.39					

WV Cap(μF)	φD	420					450				
		φ 10	φ 12.5	φ 14.5	φ 16	φ 18	φ 10	φ 12.5	φ 14.5	φ 16	φ 18
18							10X30: 0.18				
22	10X30	0.20					10X35: 0.21				
27	10X35	0.23					10X40: 0.25				
33	10X40	0.27						12.5X30: 0.28			
39			12.5X30: 0.31					12.5X35: 0.32			
47			12.5X35: 0.36					12.5X40: 0.38	14.5X30: 0.38		
56			12.5X40: 0.43	14.5X30: 0.43					14.5X35: 0.44	16X30: 0.44	
68				14.5X35: 0.51	16X30: 0.51				14.5X40: 0.49	16X35: 0.49	
82				14.5X40: 0.57	16X35: 0.57					16X40: 0.55	18X30: 0.55
100					16X40: 0.61	18X30: 0.61					18X35: 0.65
120						18X35: 0.66					18X40: 0.74
150						18X40: 0.71					18X45: 0.80

Please check with us about individual WV, Cap., size and dimensions.

Size φD×L(mm) ↑
Ripple Current (A r.m.s./120Hz, 105°C) ↑