



SXC SERIES

105°C, Overvoltage Vent Operation Facility,
Snap-in Terminal Type

◆ **FEATURES**

- Load Life : 105°C 2000 hours.
- RoHS compliance.



• This series has specification of vent operation in overvoltage situation. Please consult us for any further details.

◆ **SPECIFICATIONS**

| Items | Characteristics | | | | | | |
|---------------------------------|--|--------------------|-----------------------------------|--------------------|--|-----------------|------------------------------------|
| Category Temperature Range | -25~+105°C | | | | | | |
| Rated Voltage Range | 200V.DC, 400V.DC | | | | | | |
| Capacitance Tolerance | ±20% (20°C, 120Hz) | | | | | | |
| Leakage Current(MAX) | $I=3\sqrt{CV}$ (After 5 minutes application of rated voltage) I=Leakage Current(μA) V=Rated Voltage(V) C=Rated Capacitance(μF) | | | | | | |
| Dissipation Factor(MAX) (tan δ) | 0.15 (20°C, 120Hz) | | | | | | |
| Impedance Ratio(MAX) | <table border="1"> <thead> <tr> <th>Rated Voltage (V)</th> <th>200</th> <th>400</th> </tr> </thead> <tbody> <tr> <td>Z(-25°C)/Z(20°C)</td> <td>3</td> <td>8</td> </tr> </tbody> </table> (120Hz) | Rated Voltage (V) | 200 | 400 | Z(-25°C)/Z(20°C) | 3 | 8 |
| Rated Voltage (V) | 200 | 400 | | | | | |
| Z(-25°C)/Z(20°C) | 3 | 8 | | | | | |
| Endurance | After applying rated voltage with rated ripple current for 2000hrs at 105°C, the capacitors shall meet the following requirements. <table border="1"> <tbody> <tr> <td>Capacitance Change</td> <td>Within ±20% of the initial value.</td> </tr> <tr> <td>Dissipation Factor</td> <td>Not more than 200% of the specified value.</td> </tr> <tr> <td>Leakage Current</td> <td>Not more than the specified value.</td> </tr> </tbody> </table> | Capacitance Change | Within ±20% of the initial value. | Dissipation Factor | Not more than 200% of the specified value. | Leakage Current | Not more than the specified value. |
| Capacitance Change | Within ±20% of the initial value. | | | | | | |
| Dissipation Factor | Not more than 200% of the specified value. | | | | | | |
| Leakage Current | Not more than the specified value. | | | | | | |

◆ **MULTIPLIER FOR RIPPLE CURRENT**

Frequency coefficient

| Frequency (Hz) | 60(50) | 120 | 500 | 1k | 10k≤ | |
|----------------|--------|------|------|------|------|------|
| Coefficient | 200WV | 0.80 | 1.00 | 1.10 | 1.14 | 1.18 |
| | 400WV | 0.80 | 1.00 | 1.05 | 1.10 | 1.15 |

◆ **PART NUMBER**

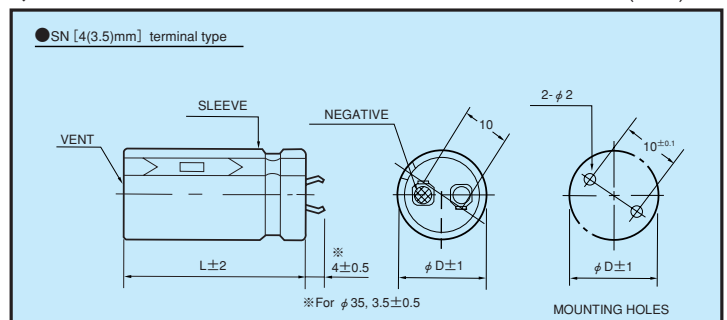
 SXC OOE SN D×L
 Rated Voltage Series Rated Capacitance Capacitance Tolerance Option Terminal Code Case Size

◆ **Option**

| | Code |
|---------------|-------|
| without plate | OOE |
| with plate | Blank |

◆ **DIMENSIONS**

(mm)



◆STANDARD SIZE, RATED RIPPLE CURRENT

| Cap(μF) | WV φD | 200 | | | | | | | | | |
|---------|----------|------|-------|------|-------|------|--------------------------------------|------------------------------------|--------------------------------------|------------------------------------|--|
| | | φ 20 | | φ 22 | | φ 25 | | φ 30 | | φ 35 | |
| 82 | 20×20 | 0.42 | | | | | | | | | |
| 100 | 20×20 | 0.47 | 22×20 | 0.51 | | | | | | | |
| 120 | 20×20 | 0.52 | 22×20 | 0.56 | | | | | | | |
| 150 | 20×25 | 0.69 | 22×25 | 0.69 | 25×20 | 0.63 | | | | | |
| 180 | 20×25 | 0.75 | 22×25 | 0.75 | 25×20 | 0.70 | | | | | |
| 220 | 20×30 | 0.87 | 22×25 | 0.88 | 25×25 | 0.88 | 30×20 | 0.85 | | | |
| 270 | 20×35 | 1.00 | 22×25 | 0.99 | 25×25 | 0.99 | 30×20 | 0.95 | | | |
| 330 | 20×40 | 1.20 | 22×30 | 1.20 | 25×25 | 1.20 | 30×20 30×25 | 1.05 1.20 | 35×20 | 1.08 | |
| 390 | | | 22×35 | 1.30 | 25×30 | 1.34 | 30×25 | 1.30 | 35×20 | 1.15 | |
| 470 | | | 22×40 | 1.44 | 25×30 | 1.44 | 30×25 | 1.48 | 35×25 | 1.48 | |
| 560 | | | 22×45 | 1.60 | 25×35 | 1.60 | 30×30 | 1.60 | 35×25 | 1.58 | |
| 680 | | | | | 25×40 | 1.76 | 30×30 | 1.74 | 35×25 | 1.74 | |
| 820 | | | | | | | 30×35 | 2.11 | 35×30 | 2.10 | |
| 1000 | | | | | | | 30×45 | 2.40 | 35×30 35×35 | 2.30 2.30 | |
| 1200 | | | | | | | | | 35×35 35×40 | 2.65 2.65 | |
| 1500 | | | | | | | | | 35×45 | 3.08 | |

| Cap(μF) | WV φD | 400 | | | | | | | | | |
|---------|----------|------|-------|------|--------------------------------------|------------------------------------|--------------------------------------|------------------------------------|-------|------|--|
| | | φ 20 | | φ 22 | | φ 25 | | φ 30 | | φ 35 | |
| 22 | 20×20 | 0.20 | | | | | | | | | |
| 27 | 20×20 | 0.22 | 22×20 | 0.23 | | | | | | | |
| 33 | 20×20 | 0.25 | 22×20 | 0.25 | | | | | | | |
| 39 | 20×25 | 0.35 | 22×20 | 0.28 | 25×20 | 0.30 | | | | | |
| 47 | 20×25 | 0.39 | 22×25 | 0.39 | 25×20 | 0.34 | | | | | |
| 56 | 20×30 | 0.44 | 22×25 | 0.45 | 25×20 25×25 | 0.39 0.45 | 30×20 | 0.41 | | | |
| 68 | 20×35 | 0.51 | 22×25 | 0.49 | 25×25 | 0.49 | 30×20 | 0.45 | | | |
| 82 | 20×40 | 0.57 | 22×30 | 0.56 | 25×25 | 0.56 | 30×20 30×25 | 0.50 0.56 | 35×20 | 0.51 | |
| 100 | | | 22×35 | 0.62 | 25×30 | 0.61 | 30×25 | 0.59 | 35×20 | 0.54 | |
| 120 | | | 22×40 | 0.73 | 25×30 | 0.73 | 30×25 | 0.73 | 35×20 | 0.61 | |
| 150 | | | 22×45 | 0.85 | 25×35 | 0.85 | 30×30 | 0.79 | 35×25 | 0.78 | |
| 180 | | | | | 25×40 | 0.94 | 30×30 | 0.95 | 35×25 | 0.95 | |
| 220 | | | | | 25×45 | 1.07 | 30×35 | 1.24 | 35×30 | 1.24 | |
| 270 | | | | | | | 30×35 30×40 | 1.35 1.30 | 35×35 | 1.28 | |
| 330 | | | | | | | 30×45 | 1.47 | 35×35 | 1.41 | |
| 390 | | | | | | | | | 35×40 | 1.59 | |
| 470 | | | | | | | | | 35×45 | 1.87 | |

↑ Ripple Current (A r.m.s./120Hz, 105°C)
 ↑ Case Size φ D×L(mm)