

Power Relay 430 3 mm

- 1 pole 16 A, 1 NO contact
 - Safety mains isolation
 - Contact gap > 3 mm
 - DC- and AC-coil
 - 4 kV / 8 mm coil-contact, reinforced insulation (VDE 0700)
 - PCB mounting or quick connect terminals
 - Mounting brackets or snap mounting
 - Version with arc blow magnet for high DC-loads
 - Product in accordance to IEC60335-1
 - RoHS compliant (Directive 2002/95/EC) as per product date code 0349
- Applications: Domestic appliances, industrial appliances, industrial controls



F0256-A

Approvals

VDE REG.-Nr. A513, cULus E214024
 Technical data of approved types on request

Contact data

Contact configuration	1NO
Contact set	bifurcated contact
Type of interruption	full disconnection
Rated current	16 A
Rated voltage / max.switching voltage AC	240/400 VAC
Maximum breaking capacity AC	4000 VA
Limiting making capacity, max 4 s, duty factor 10%	25 A
Contact material	AgCu3, AgCdO
Contact gap	> 3 mm
Mechanical endurance	> 2,5x10 ⁵ cycles
Rated frequency of operation with / without load	15 / 300 min ⁻¹

Contact ratings

Type	Load	Cycles
430X5	16 A, 250 VAC, resistive, 70°C	1,5x10 ⁵
430X5	10 A, 250 VAC, resistive, 105°C	1,5x10 ⁵

Coil data

Rated coil voltage range	DC coil	6...110 VDC
	AC coil	6...240 VAC
Coil power	DC coil	1 W
	AC coil	1,8 VA
Operative range		2

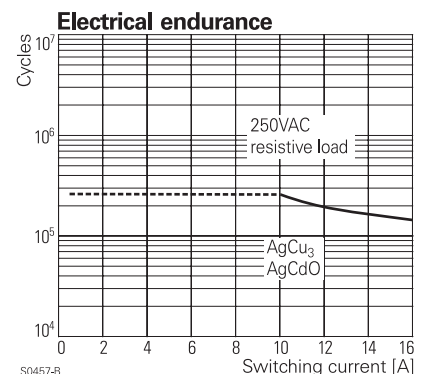
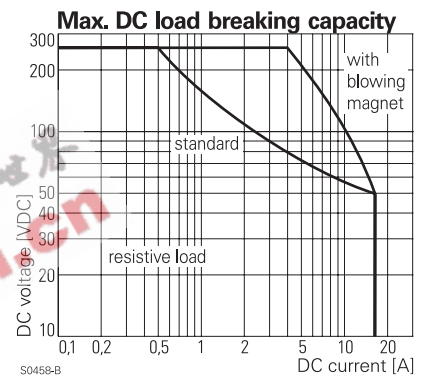
Coil versions, DC-coil

Coil code	Rated voltage VDC	Operate voltage VDC	Release voltage VDC	Coil resistance Ohm	Rated coil power mW
09	12	7.8	0.6	145±10%	993
10	24	15.6	1.2	580±10%	993
11	48	31.2	2.4	2200±10%	1047
13	110	71.5	5.5	13000±10%	931

Coil versions, AC-coil 50Hz

Coil code	Rated voltage VAC	Operate voltage VAC	Release voltage VAC	Coil resistance Ohm	Rated coil power VA
23	24	18	3.6	145±10%	1.8
25	60	45	9.0	950±10%	1.8
26	110	83	16.0	3100±10%	1.8
27	230	175	35.0	11400±10%	1.8
28	240	185	36.0	13000±10%	1.8

All figures are given for coil without preenergization, at ambient temperature +23°C
 Other coil voltages on request



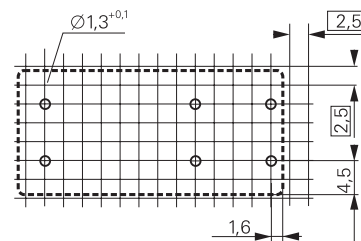
Insulation

Dielectric strength coil-contact circuit	4000 V _{rms}
open contact circuit	2000 V _{rms}
Clearance / creepage coil-contact circuit	≥ 8 / 8 mm
Material group of insulation parts	≥ IIIa
Tracking index of relay base	PTI 380H
Insulation to IEC 60664-1	
Type of insulation coil-contact circuit	reinforced
open contact circuit	basic
Rated insulation voltage	250 V
Pollution degree	3
Rated voltage system	230/400 V
Overvoltage category	III

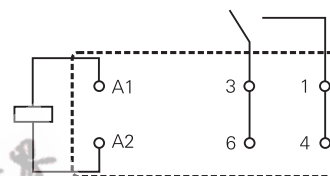
Other data

RoHS - Directive 2002/95/EC	compliant as per product date code 0349
Ambient temperature range	-20...+70°C
Operate- / release time	typ. 15 / 8 ms
Bounce time NO / NC contact	typ. 4 ms
Shock resistance (destruction)	100 g
Category of protection	RT I - dust protected
Mounting	pcb, mounting brackets, snap mounting, DIN rail
Resistance to soldering heat	270°C / 10 s
Relay weight	32 g
Packaging unit	50 pcs

PCB layout / terminal assignment
Bottom view on solder pins



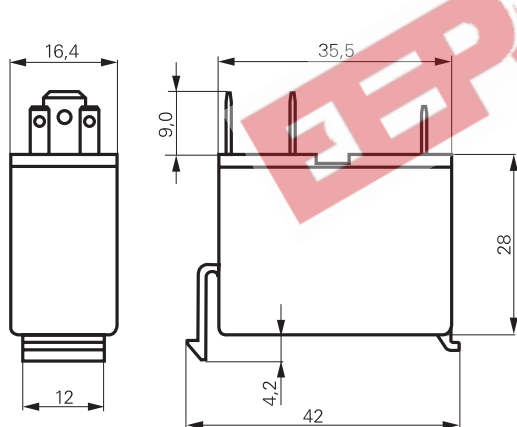
S0448-AE



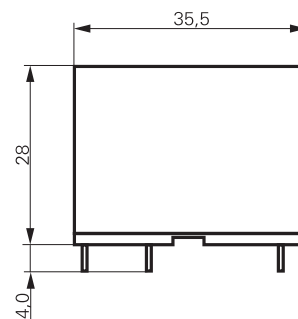
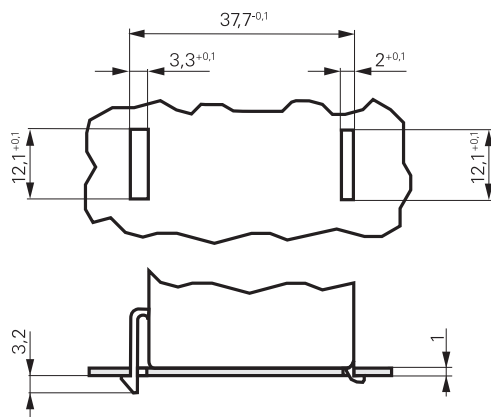
S0448-AF

Dimensions

Snap mounting



S0449-AH



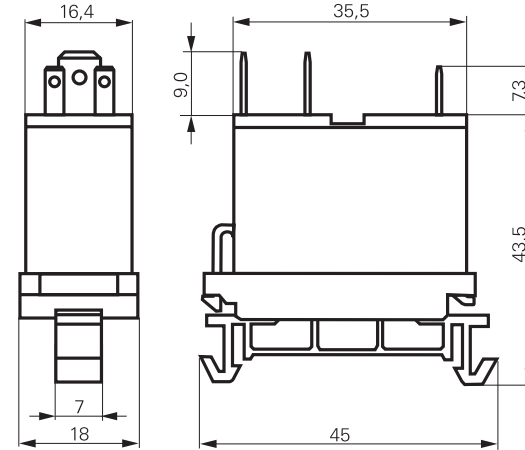
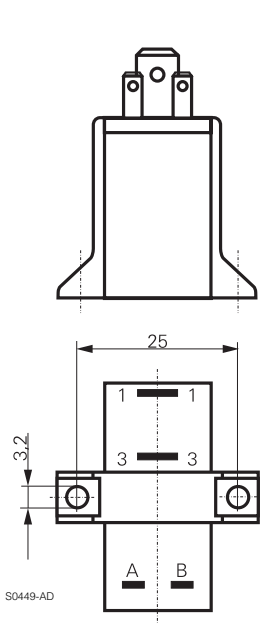
S0449-AB

Power Relay 430 3 mm (Continued)

Dimensions

Mounting brackets

DIN-rail mount



Product key

0 4 3 0 [] [] [] [] 1 0 0

Type

Mounting

- 0 PCB version
- 1 mounting brackets
- 2 snap mounting
- 5 DIN-rail mounting

Contact design

- 4 arc blowing magnet
- 5 standard

Coil

Coil code: please refer to coil versions table

Contact material

- 0 AgCu 3
- 1 AgCdO

Other types on request

Product key	Version	Cont-material	Cont.configuration	Coil	Coil	Part number
0430 25 0911 00	snap mounting	AgCdO	1 NO contact	DC-coil	12 VDC	1-1415404-1
0430 25 1011 00	1.0mm plate				24 VDC	1-1415404-3
0430 25 2811 00				AC-coil	240 VAC	1-1415404-6