

# PE4135

### High Linearity UltraCMOS™ Quad MOSFET Mixer

#### Features

- Integrated, single-ended RF & LO interfaces
- High linearity: Typical IIP3 at 32dBm 820 - 920 MHz (+17 dBm LO)
- Low conversion loss: 6.8 dB (+17 dBm LO)
- High isolation: Typical LO-IF at 42 dB, LO-RF at 32 dB
- Small 6-lead 3x3 mm DFN package

#### Product Description

The PE4135 is a high linearity passive Quad MOSFET Mixer for GSM800 & Cellular Base Station Receivers, exhibiting high dynamic range performance over a broad LO drive range of up to 20 dBm. This mixer integrates passive matching networks to provide single-ended interfaces for the RF and LO ports, eliminating the need for external RF baluns or matching networks. The PE4135 is optimized for frequency down-conversion using low-side LO injection for GSM800 & Cellular Base Station application, and is also suitable for up-conversion applications.

The PE4135 is manufactured on Peregrine's UltraCMOS™ process, a patented variation of silicon-on-insulator (SOI) technology on a sapphire substrate, offering the performance of GaAs with the economy and integration of conventional CMOS.

Figure 1. Functional Diagram

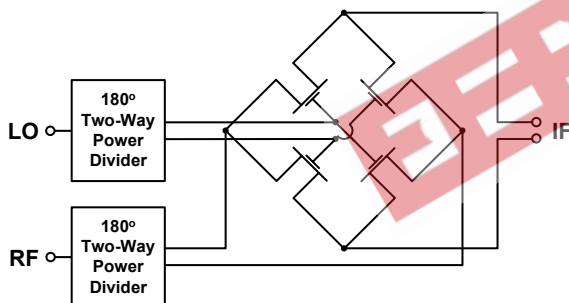


Figure 2. Package Type

6-lead DFN

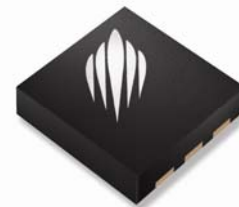


Table 1. Electrical Specifications @ +25 °C

Parameter <sup>1</sup>	Minimum	Typical	Maximum	Units
Frequency Range:				
LO	750	--	850	MHz
RF	820	--	920	MHz
IF <sup>2</sup>	--	70	--	MHz
Conversion Loss <sup>3</sup>		6.8	7.3	dB
Isolation:				
LO-RF	30	32		dB
LO-IF	40	42		dB
Input IP3	29	32		dBm
Input 1 dB Compression		21		dBm

- Notes:
1. Test conditions unless otherwise noted: IF = 70 MHz, LO input drive = 17 dBm, RF input drive = 3 dBm.
  2. An IF frequency of 70 MHz is a nominal frequency. The IF frequency can be specified by the user as long as the RF and LO frequencies are within the specified maximum and minimum.
  3. Conversion Loss includes loss of IF transformer (M/A COM ETC1-1-13, nominal loss 0.7 dB at 70 MHz).

Figure 3. Pin Configuration (Top View)

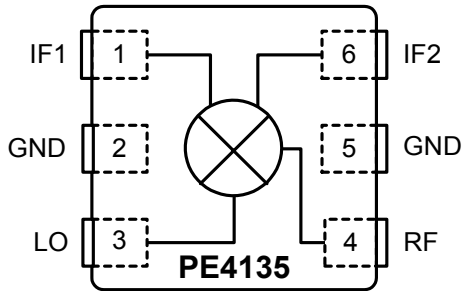


Table 2. Pin Descriptions

Pin No.	Pin Name	Description
1	IF1	IF differential output.
2	GND	Ground connections for Mixer. Traces should be physically short and connect immediately to ground plane for best performance. The exposed solder pad must also be soldered to the ground plane for best performance.
3	LO	LO Input.
4	RF	RF Input.
5	GND	Ground connections for Mixer. Traces should be physically short and connect immediately to ground plane for best performance. The exposed solder pad must also be soldered to the ground plane for best performance.
6	IF2	IF differential output.

Table 3. Absolute Maximum Ratings

Symbol	Parameter/Conditions	Min	Max	Units
$T_{ST}$	Storage temperature range	-65	150	°C
$T_{OP}$	Operating temperature range	-40	85	°C
$P_{LO}$	LO input power		20	dBm
$P_{RF}$	RF input power		12	dBm
$V_{ESD}$	ESD Sensitive Device		250	V

Absolute Maximum Ratings are those values listed in the above table. Exceeding these values may cause permanent device damage. Functional operation should be restricted to the limits in the DC Electrical Specifications table. Exposure to absolute maximum ratings for extended periods may affect device reliability.

#### Electrostatic Discharge (ESD) Precautions

When handling this UltraCMOS™ device, observe the same precautions that you would use with other ESD-sensitive devices. Although this device contains circuitry to protect it from damage due to ESD, precautions should be taken to avoid exceeding the rating specified in Table 3.

#### Latch-Up Avoidance

Unlike conventional CMOS devices, UltraCMOS™ devices are immune to latch-up.

Evaluation Kit

Figure 4. Evaluation Board Layout

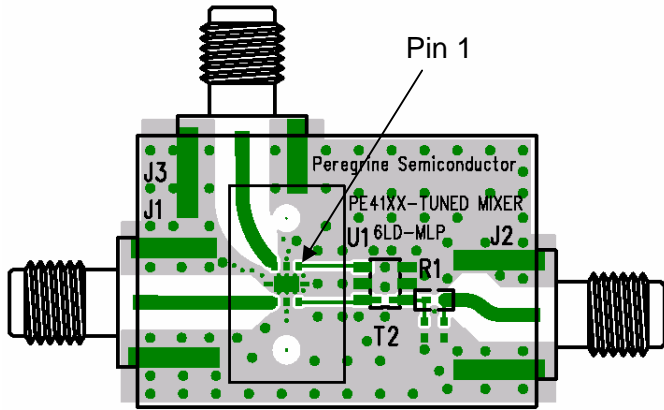


Table 4. Bill of Materials

Reference	Value / Description
T2	M/A Com ETK1-1-13
R1	0Ω
U1	PE4135 MLP Mixer
J1, J2, J3	SMA Connector

Figure 5. Evaluation Board Schematic

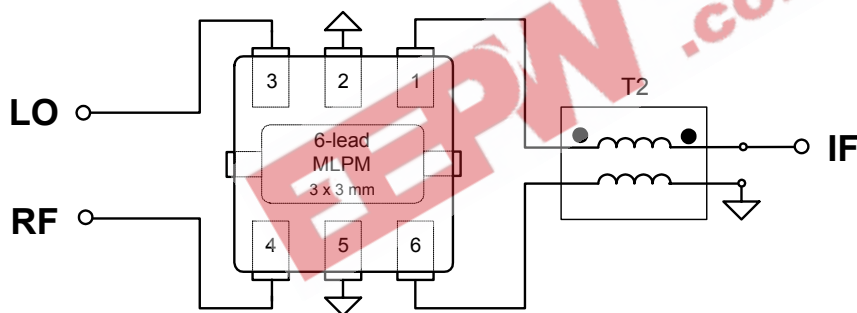
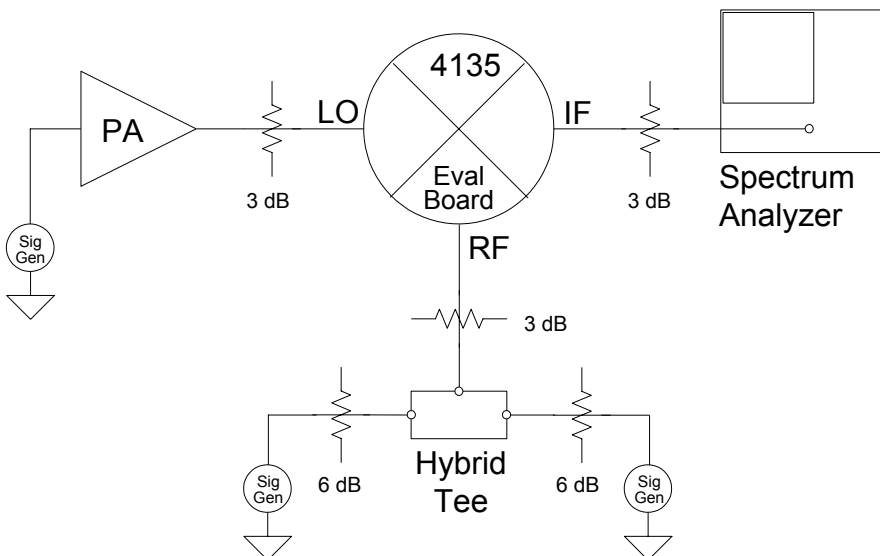


Figure 6. Evaluation Board Testing Block Diagram, 2-Tone Setup



Typical Performance Data (LO=17 dBm, RF=3 dBm, IF=70 MHz)

Figure 7. Conversion Loss

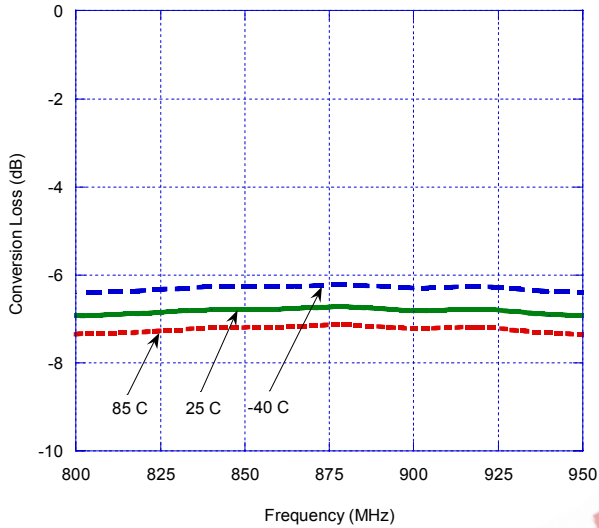


Figure 8. Input 1dB Compression

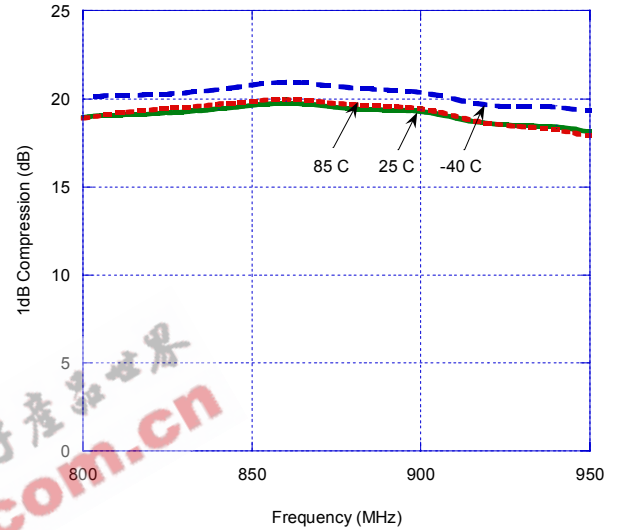


Figure 9. Input IP3 @ 25 °C

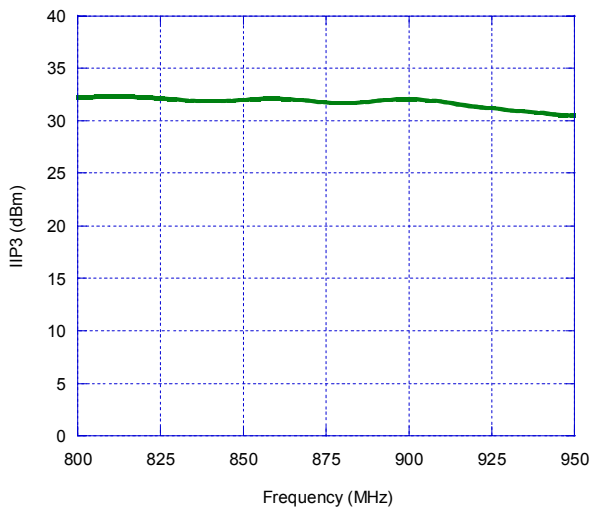
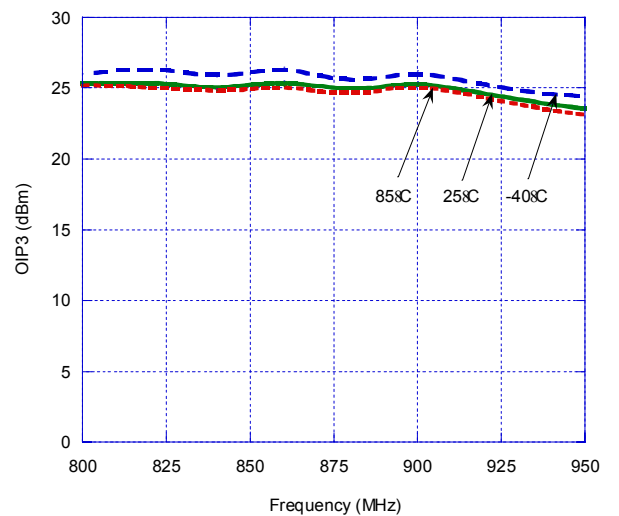


Figure 10. Output IP3



Typical Performance Data (LO=17 dBm, RF=3 dBm, IF=70 MHz)

Figure 11. LO-IF Isolation

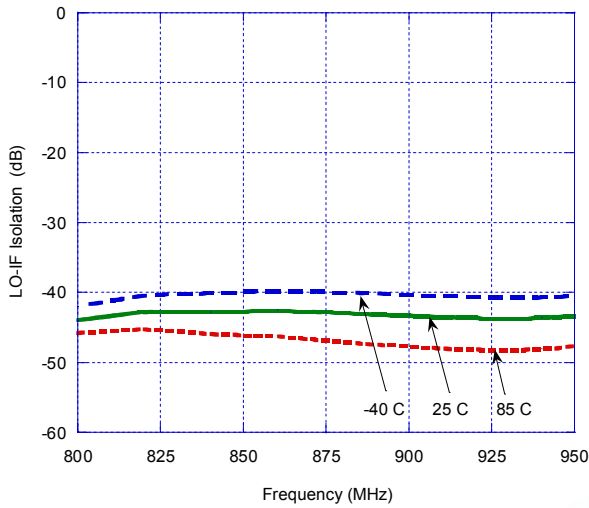


Figure 12. LO-RF Isolation

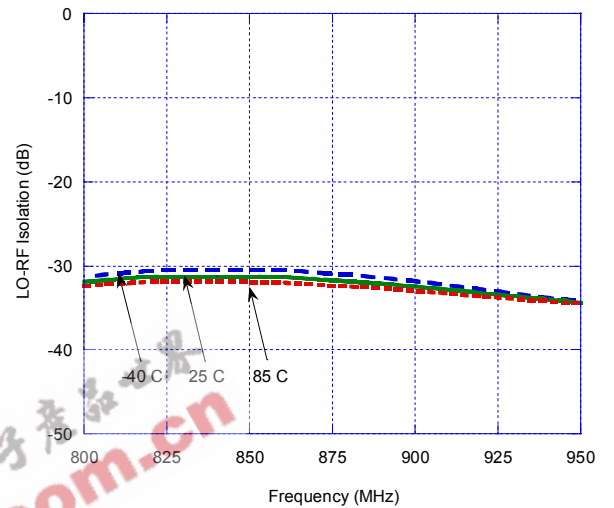


Figure 13. LO Port Return Loss @ 25°C

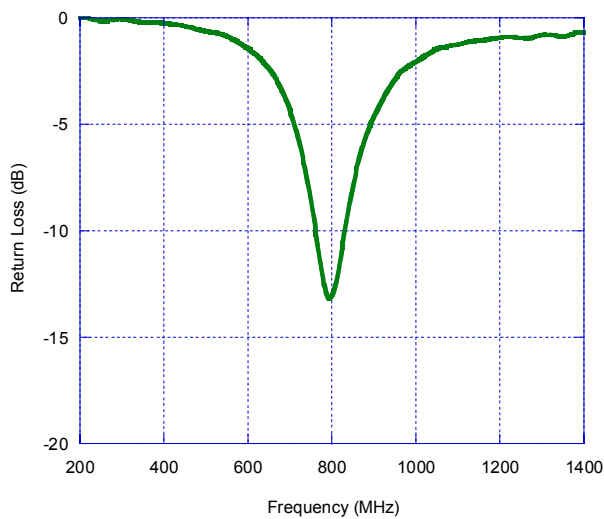
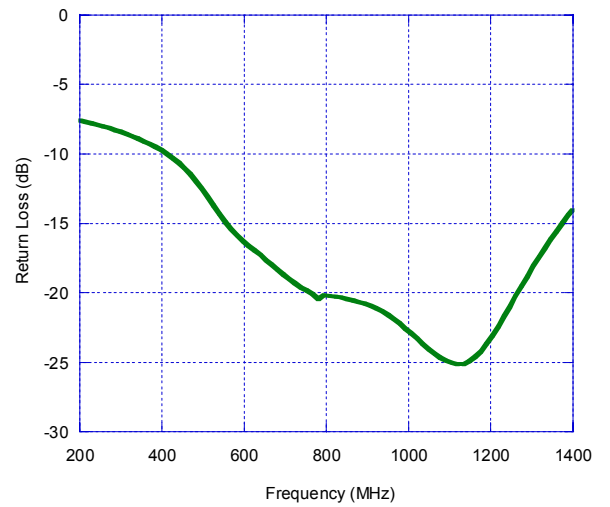


Figure 14. RF Port Return Loss @ 25°C



Typical Performance Data (LO=17 dBm, RF=3 dBm, IF=70 MHz)

Figure 15. Input IP3 Across LO Power

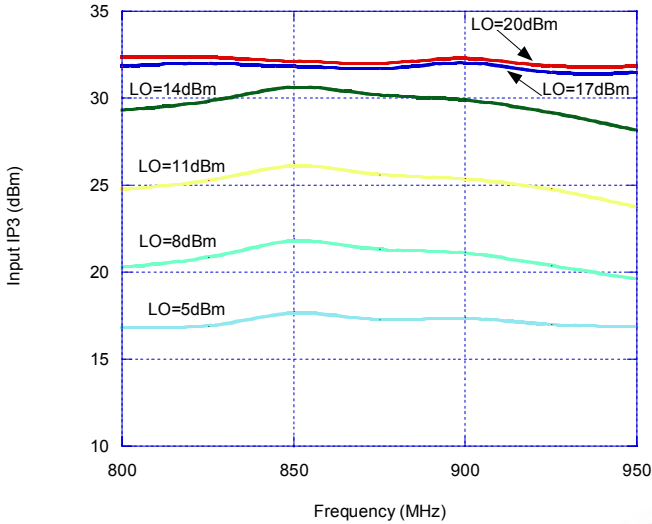


Figure 16. Conversion Loss Across LO Power

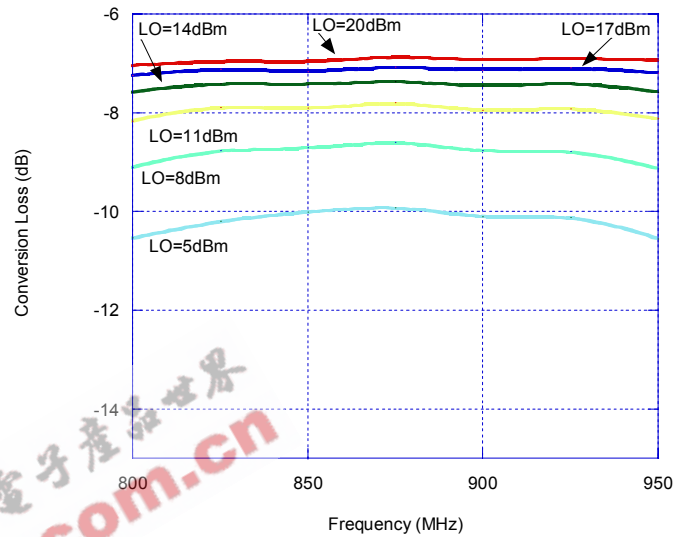


Table 5. Spurious Response

mRF	mRF+nLO			
	nLO			
	1	2	3	4
1	1	29	20	32
2	50	46	58	50
3	69	81	70	77
4	88	85	83	>90

Note: Normalized to dB below PIF  
(RF=870 Mhz @ 3 dBm, LO=940 MHz @ 17 dBm)

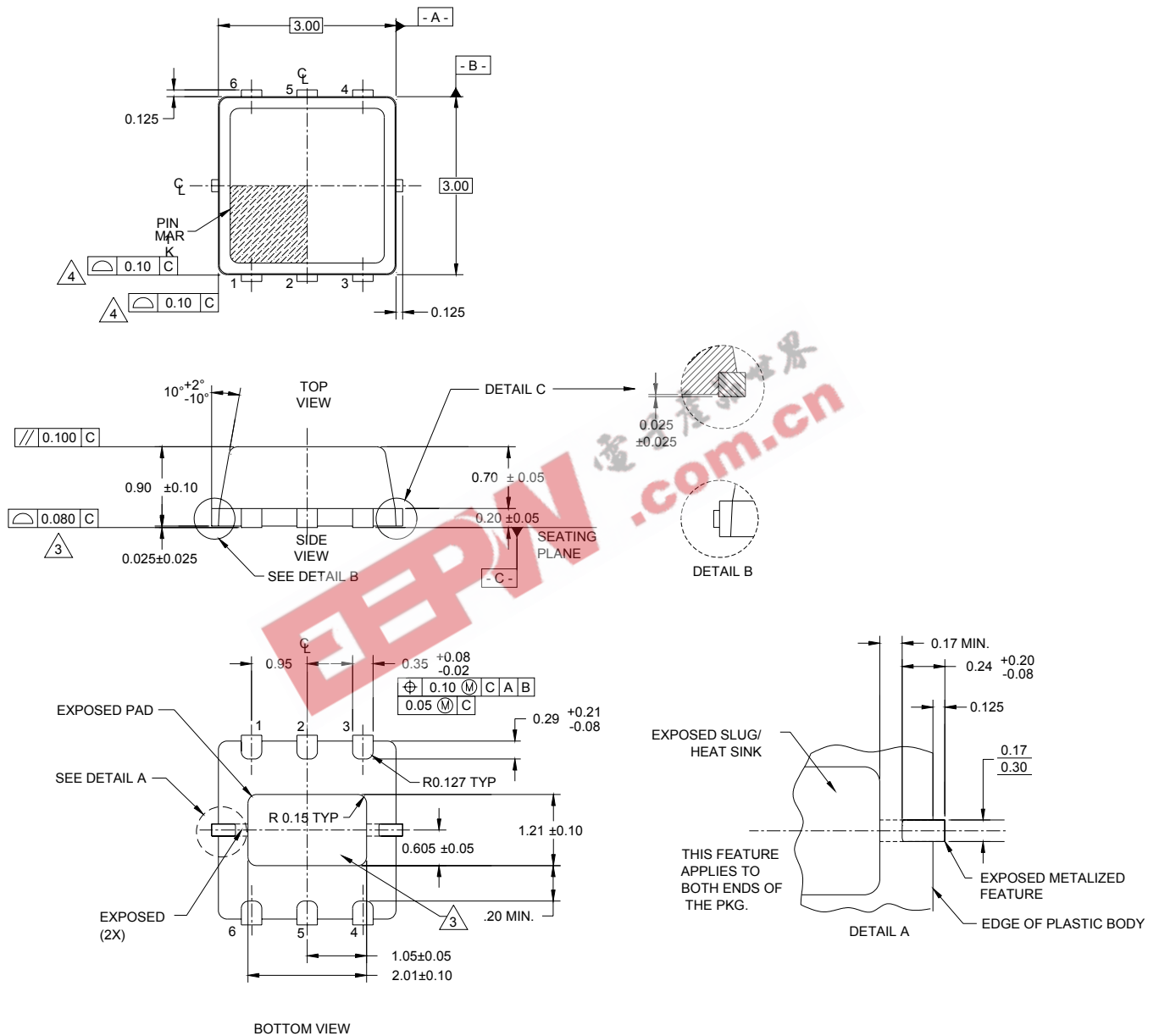
Table 6. Spurious Response

mRF	mRF+nLO			
	nLO			
	1	2	3	4
1	0	27	12	35
2	47	53	47	50
3	66	66	62	67
4	86	83	>90	>90

Note: Normalized to dB below PIF  
(RF=870 Mhz @ 3 dBm, LO=940 MHz @ 17 dBm)

Figure 17. Package Drawing

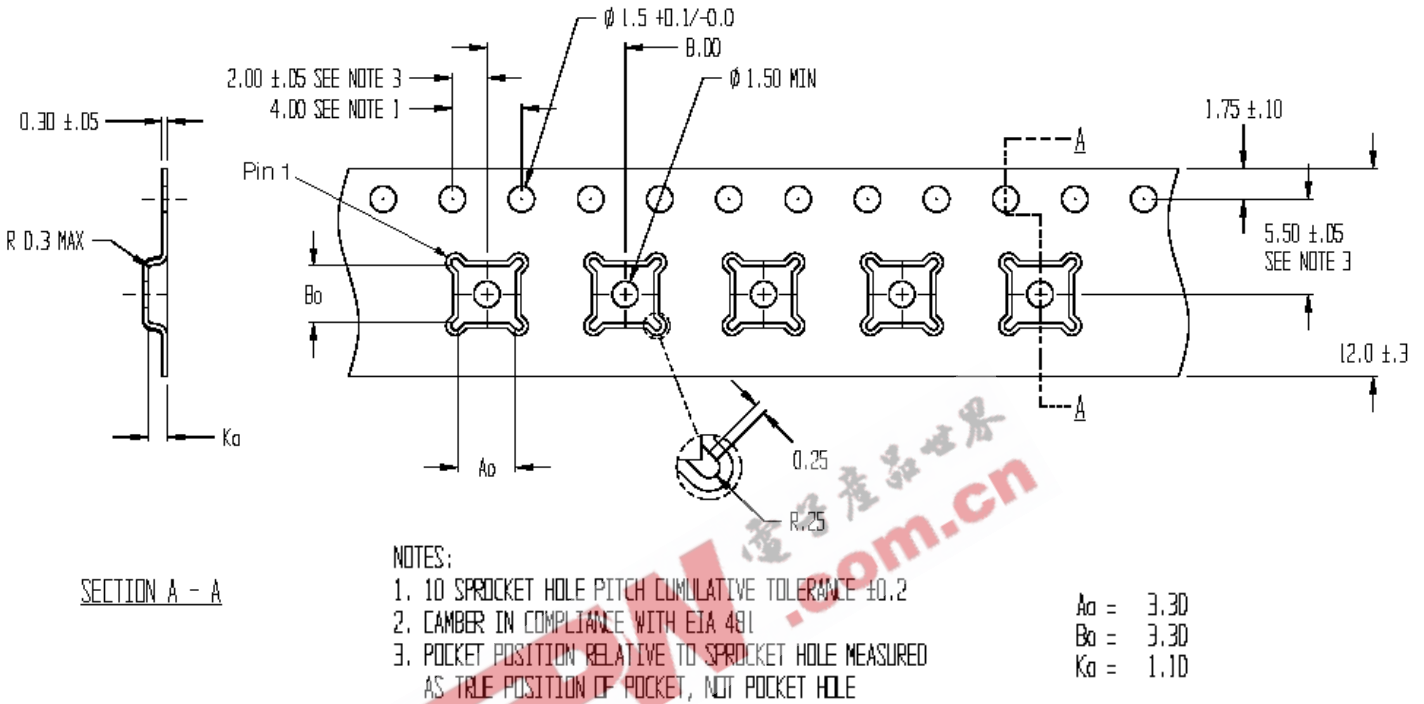
6-lead DFN



1. DIMENSIONS AND TOLERANCES ARE PER ANSI Y14.5
2. DIMENSIONS ARE IN MILLIMETERS, ANGLES ARE IN DEGREES.
3. COPLANARITY APPLIES TO EXPOSED HEAT SLUG AS WELL AS THE TERMINALS.
4. PROFILE TOLERANCE APPLIES TO PLASTIC BODY ONLY.

**Figure 18. Tape and Reel Specifications**

6-lead DFN



**Table 7. Dimensions**

Dimension	DFN 3x3 mm
Ao	3.23 ± 0.1
Bo	3.17 ± 0.1
Ko	1.37 ± 0.1
P	4 ± 0.1
W	8 +0.3, -0.1
T	0.254 ± 0.02
R7 Quantity	3000
R13 Quantity	N.A.

Note: R7 = 7 inch Lock Reel, R13 = 13 inch Lock Reel

**Table 8. Ordering Information**

Order Code	Part Marking	Description	Package	Shipping Method
4135-01	4135	PE4135-06DFN 3x3mm-12800F	6-lead 3x3 mm DFN	12800 units / Canister
4135-02	4135	PE4135-06DFN 3x3mm-3000C	6-lead 3x3 mm DFN	3000 units / T&R
4135-00	PE4135-EK	PE4135-06DFN 3x3mm-EK	Evaluation Kit	1 / Box
4135-51	4135	PE4135G-06DFN 3x3mm-12800F	Green 6-lead 3x3 mm DFN	12800 units / Canister
4135-52	4135	PE4135G-06DFN 3x3mm-3000C	Green 6-lead 3x3 mm DFN	3000 units / T&R



## Sales Offices

### *The Americas*

#### **Peregrine Semiconductor Corp.**

9450 Carroll Park Drive  
San Diego, CA 92121  
Tel 858-731-9400  
Fax 858-731-9499

### *Europe*

#### **Peregrine Semiconductor Europe**

##### **Commercial Products:**

Bâtiment Maine  
13-15 rue des Quatre Vents  
F- 92380 Garches, France  
Tel: +33-1-47-41-91-73  
Fax : +33-1-47-41-91-73

##### **Space and Defense Products:**

180 Rue Jean de Guiramand  
13852 Aix-En-Provence cedex 3, France  
Tel: +33(0) 4 4239 3361  
Fax: +33(0) 4 4239 7227

### *North Asia Pacific*

#### **Peregrine Semiconductor K.K.**

5A-5, 5F Imperial Tower  
1-1-1 Uchisaiwaicho, Chiyoda-ku  
Tokyo 100-0011 Japan  
Tel: +81-3-3502-5211  
Fax: +81-3-3502-5213

### *South Asia Pacific*

#### **Peregrine Semiconductor**

28G, Times Square,  
No. 500 Zhangyang Road,  
Shanghai, 200122, P.R. China  
Tel: +86-21-5836-8276  
Fax: +86-21-5836-7652

For a list of representatives in your area, please refer to our Web site at: [www.psemi.com](http://www.psemi.com)

## Data Sheet Identification

### **Advance Information**

The product is in a formative or design stage. The data sheet contains design target specifications for product development. Specifications and features may change in any manner without notice.

### **Preliminary Specification**

The data sheet contains preliminary data. Additional data may be added at a later date. Peregrine reserves the right to change specifications at any time without notice in order to supply the best possible product.

### **Product Specification**

The data sheet contains final data. In the event Peregrine decides to change the specifications, Peregrine will notify customers of the intended changes by issuing a DCN (Document Change Notice).

The information in this data sheet is believed to be reliable. However, Peregrine assumes no liability for the use of this information. Use shall be entirely at the user's own risk.

No patent rights or licenses to any circuits described in this data sheet are implied or granted to any third party.

Peregrine's products are not designed or intended for use in devices or systems intended for surgical implant, or in other applications intended to support or sustain life, or in any application in which the failure of the Peregrine product could create a situation in which personal injury or death might occur. Peregrine assumes no liability for damages, including consequential or incidental damages, arising out of the use of its products in such applications.

The Peregrine name, logo, and UTSi are registered trademarks and UltraCMOS is a trademark of Peregrine Semiconductor Corp.