

42095**NEGATIVE HIGH TEMPERATURE REGULATOR****Mii**HYBRID MICROELECTRONICS
PRODUCTS DIVISION**Features:**

- Output current to 1.5 amps
- Input voltage to -30V
- Internal short circuit protection, foldback and current limiting
- Storage Temperature +250°C
- 200°C Operating temperature

Applications:

- Logging while drilling
- Measuring while drilling (down-hole applications)
- Other harsh environments
- Used as military and industrial devices
- Designed for use in high temperature environments

DESCRIPTION

The 42095 series of regulators covers the voltage range from -5 VDC through -30 VDC. These regulators are fabricated using hybrid techniques and will operate at temperatures up to +200°C case. These devices are complete with internal short circuit protection which includes voltage shutdown and current foldback. The 42095 series regulators normally do not require any additional components. However, for good design practice, an external filter cap should be installed at the input, as close to the case as possible.

ABSOLUTE MAXIMUM RATINGS AT 200°C Case temperature

Output Current (I_{OUT})	1.5A
Input Voltage (V_{IN})	-38VDC
Operating Temperature (T_C)	200°C
Storage Temperature	-65°C to 200°C
Power Dissipation (P_d)	25W

TABLE 1 (see note)

TYPE	V_{OUT} VDC	MAX I_{OUT} A	I_{KNEE} TYP A
42095-005	-5	1.5	2.0
42095-012	-12	1.5	2.0
42095-015	-15	1.5	2.0
42095-018	-18	1.5	2.0
42095-024	-24	1.5	2.0
42095-030	-30	1.5	2.0

NOTE: Under condition ($V_{IN} - V_{OUT} \times I_{OUT}$) \leq 25 watts at 200°C. Micropac can provide custom output voltages between -5VDC and -30VDC.

Micropac Industries cannot assume any responsibility for any circuits shown or represent that they are free from patent infringement. Micropac reserves the right to make changes at any time in order to improve design and to supply the best product possible.

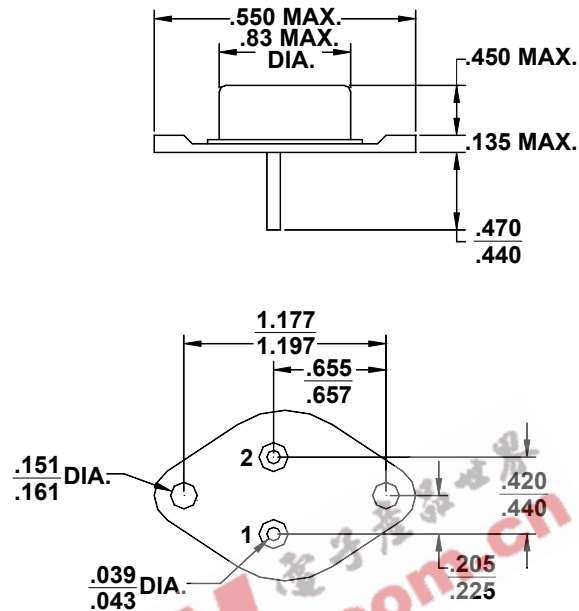
ELECTRICAL CHARACTERISTICS

PARAMETER	TEST CONDITIONS	TEMPERATURE CASE TEMP	TYPICAL
*Output Voltage	$I_{OUT} = 300 \text{ mA}$ $V_{IN} = V_{OUT} + 3\text{VDC}$	+25°C to +200°C	$V_{OUT} \pm 1.0\%$
*Line Regulation	$V_{IN} = V_{OUT} + 3\text{VDC}$ to $V_{IN} = 38 \text{ V}$ $I_{OUT} = 50 \text{ mA}$	+25°C to +200°C	$V_{OUT} \pm 0.3\%$
Load Regulation	$V_{IN} = V_{OUT} + 5\text{VDC}$ $I_{OUT} = 50 \text{ to } 300\text{mA}$	+25°C to +200°C	$V_{OUT} \pm 0.5\%$
Ripple Rejection at 120 Hz	$V_{IN} = V_{OUT} + 5\text{VDC}$	+25°C	-60dB
Standby Current	$V_{IN} = V_{OUT} + 5\text{VDC}$ $I_{OUT} = 0$	+25°C	30mA
Short Circuit Current	$V_{IN} = V_{OUT} + 5\text{VDC}$	+25°C	400mA
Short Circuit Current	$V_{IN} = V_{OUT} + 5\text{VDC}$	+200°C	200mA
Foldback Current (knee)	$V_{IN} = V_{OUT} + 5\text{VDC}$	+25°C	2A
Foldback Current (knee)	$V_{IN} = V_{OUT} + 5\text{VDC}$	+200°C	1.5A
Noise Output	$V_{IN} = V_{OUT} + 5\text{VDC}$ $I_{OUT} = 300 \text{ mA}$	+25°C	2mVRMS
Differential Voltage * ($\Delta V = V_{IN} - V_{OUT}$)	$I_{OUT} = 300 \text{ mA}$	+25°C to +200°C	3 VDC MIN

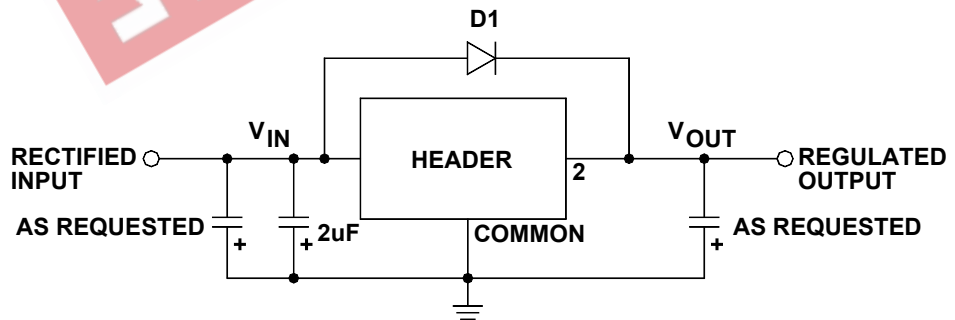
* $V_{IN} = 10\text{V Min}$

Micropac Industries cannot assume any responsibility for any circuits shown or represent that they are free from patent infringement.
Micropac reserves the right to make changes at any time in order to improve design and to supply the best product possible.

Mechanical Configuration



Typical Connection Diagram



Electrical Connection	
Case	V_{IN}
Pin 1	Ground
Pin 2	V_{OUT}

Micropac Industries cannot assume any responsibility for any circuits shown or represent that they are free from patent infringement. Micropac reserves the right to make changes at any time in order to improve design and to supply the best product possible.