


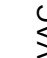


6 5 4 3 2 1

**MATERIAL AND FINISH**

Insulator: Polycarbonate, UL-94V-0 rated  
 Contacts: Brass, Nickel plated

**ELECTRICAL SPECIFICATIONS:**

Current rating: 10 A   
 Voltage rating: 250 VAC   
 Current rating: 15 A   
 Voltage rating: 250 VAC 

**ORDERING CODE:**

42R02-1 1 2 3




**1 = TERMINAL OPTIONS**

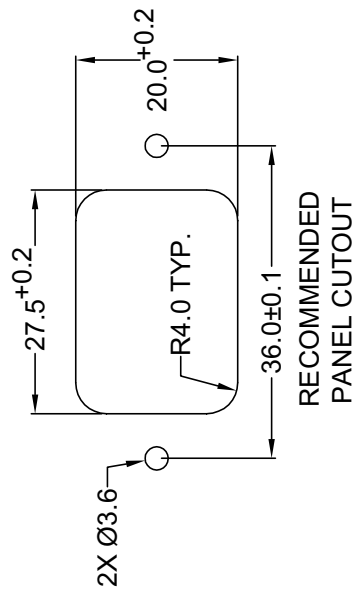
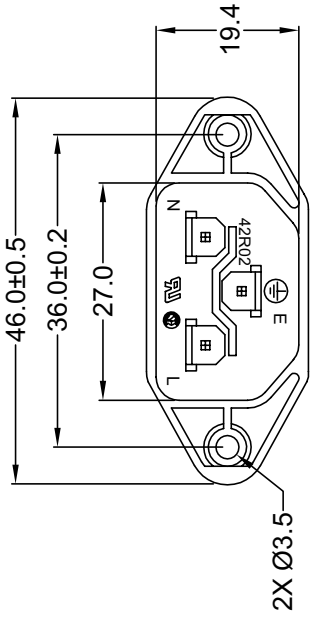
- 1 = .187(4.8)
- 2 = .250(6.3)

**2 = COLOR**

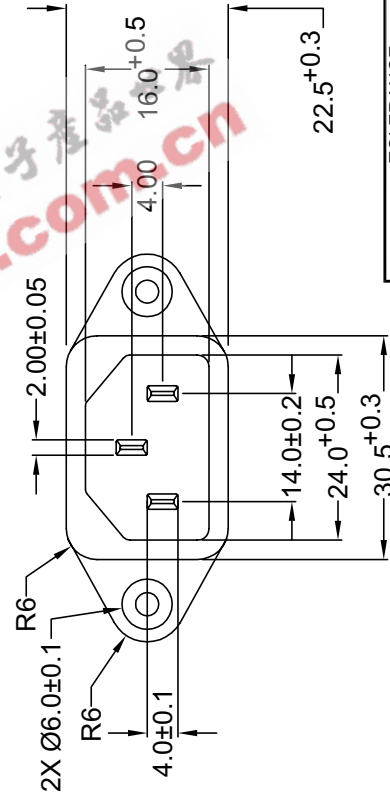
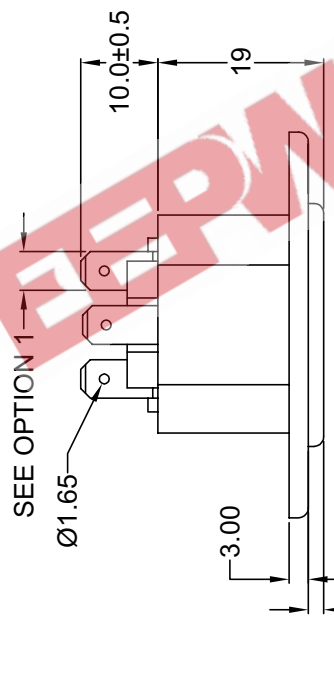
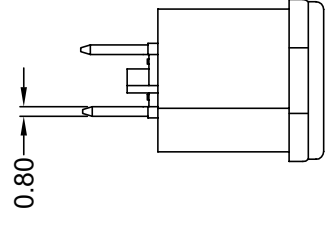
- 1 = BLACK
- 2 = GRAY

**3 = ELECTRICAL CIRCUIT CONFIGURATION**

- 1 = 15A 250V 120°C 
- 2+GROUND
- 2 = 15A 250V 70°C 
- 2+GROUND
- 4 = 15A 250V 70°C 
- 2 POLE



RECOMMENDED  
 PANEL CUTOUT



REV	DATE	CHANGE	CHNG	CHK	APPR

**REVISIONS**

TOLERANCE  
 UNLESS OTHERWISE SPECIFIED

- X ± 1
- X.X ± 0.4
- X.XX ± 0.20

DRAWN BY	GQ	DATE:	8/3/01
CHECK BY	TD	DATE:	8/13/01
APPR BY	PB	DATE:	8/13/01

**Power Dynamics, Inc.**

Phone: 973 560-0019 Whippany, New Jersey Fax: 973 560-0076

PART: IEC 60320 C-14 APPL. INLET; QUICK CONNECT  
 TERMINALS; SIDE FLANGED, PANEL MOUNT

PART #	42R02-1XXX	SHEET	1 of 1
SIZE	A	ALL DIMENSIONS FOR REFERENCE ONLY	REV:
SCALE	NTS	DIMENSIONS ARE IN MILLIMETERS	

**MATERIAL AND FINISH**

Insulator: Polycarbonate, UL-94V-0 rated  
 Contacts: Brass, Nickel plated

**ELECTRICAL SPECIFICATIONS:**

Current rating: 10 A  
 Voltage rating: 250 VAC  
 Current rating: 15 A  
 Voltage rating: 250 VAC

**ORDERING CODE:**

42R02-2 1 2 3

**1 = TERMINAL OPTIONS**

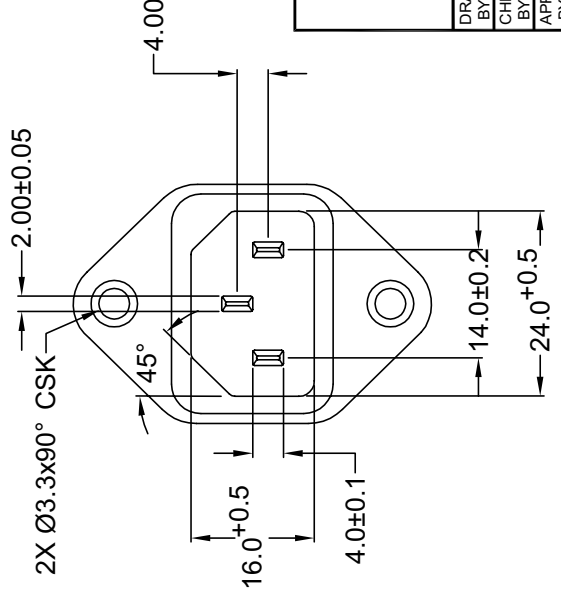
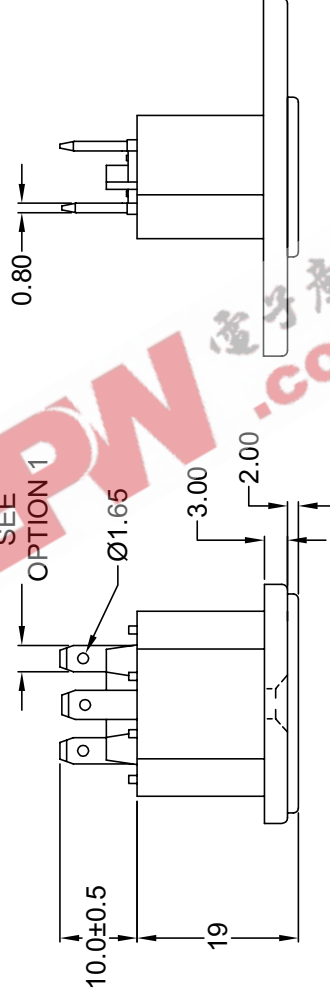
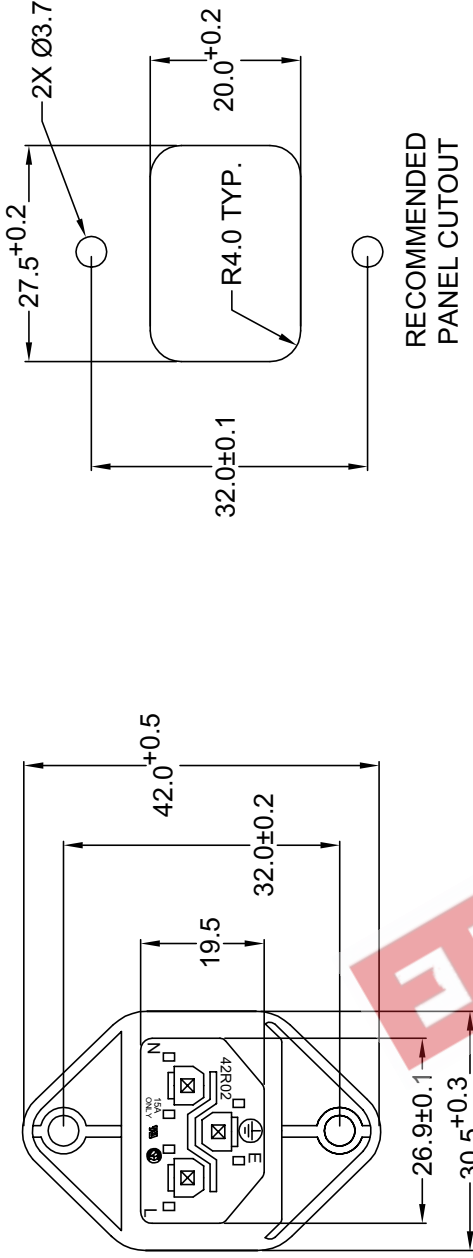
- 1 = .187(4.8)
- 2 = .250(6.3)

**2 = COLOR**

- 1 = BLACK
- 2 = GRAY

**3 = ELECTRICAL CIRCUIT CONFIGURATION**

- 1 = 15A 250V 120°C  
2+GROUND
- 2 = 15A 250V 70°C  
2+GROUND
- 4 = 15A 250V 70°C  
2 POLE



REV	DATE	CHANGE	CHNG	CHK	APP

**REVISIONS**

DRAWN BY	GQ	DATE	8/3/01
CHECK BY	TD	DATE	8/13/01
APPR BY	PB	DATE	8/13/01

TOLERANCE  
 UNLESS OTHERWISE SPECIFIED  
 X ± 1  
 X.X ± 0.4  
 X.XX ± 0.20

**Power Dynamics, Inc.**  
 Phone: 973 560-0019 Whippary, New Jersey Fax: 973 560-0076  
 PART: IEC 60320 C-14 APPL. INLET; QUICK CONNECT  
 TERMINALS; CROSS FLANGE

PART #	42R02-2XXX	SHEET	1 of 1
SCALE	NTS	REV.	

ALL DIMENSIONS FOR REFERENCE ONLY  
 DIMENSIONS ARE IN MILLIMETERS

**MATERIAL AND FINISH**

Insulator: Polycarbonate, UL-94V-0 rated  
Contacts: Brass, Nickel plated

**ELECTRICAL SPECIFICATIONS:**

Current rating: 10 A  
Voltage rating: 250 VAC  
Current rating: 15 A  
Voltage rating: 250 VAC

**ORDERING CODE:**

42R02-3 - 1 - 2 - 3 - 4

**1 = TERMINAL OPTIONS**

- 1 = .187(4.8)
- 2 = .250(6.3)

**2 = COLOR**

- 1 = BLACK
- 2 = GRAY

**3 = ELECTRICAL CIRCUIT CONFIGURATION**

- 1 = 15A 250V 120°C  
2+GROUND



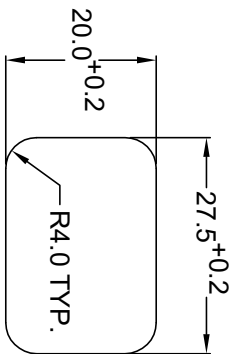
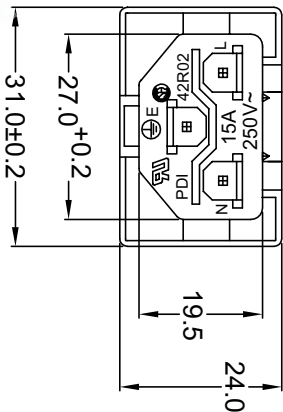
- 2 = 15A 250V 70°C  
2+GROUND



- 4 = 15A 250V 70°C  
2 POLE

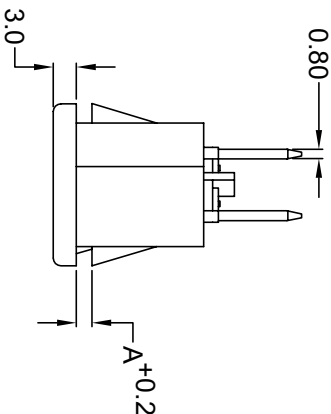
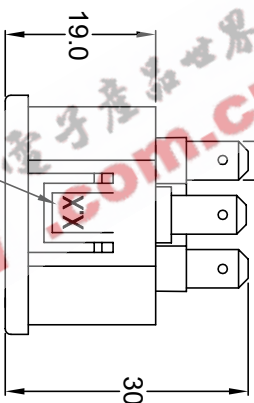


**4 = PANEL THICKNESS**

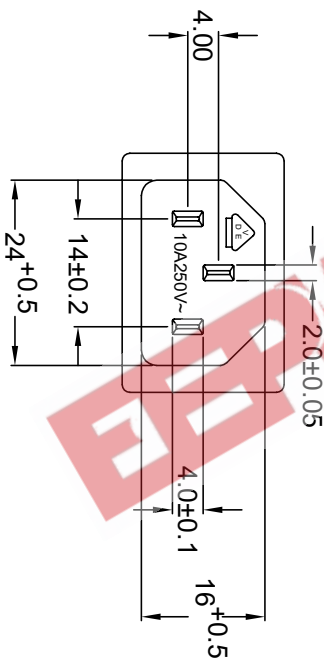


RECOMMENDED  
PANEL CUTOUT

SEE OPTION 1



REPLACE WITH  
CORRESPONDING  
PANEL THICKNESS



P/N	A	MAX. PANEL THICKNESS
42R02-3XXX-150	1.5	1.5
42R02-3XXX-200	2.0	2.0
42R02-3XXX-250	2.5	2.5

ADDITIONAL PANEL THICKNESS  
AVAILABLE ON REQUEST

**Power Dynamics, Inc.**

Phone: 973 560-0019 Whippany, New Jersey Fax: 973 560-0076

PART: IEC 60320 CONNECTOR; QUICK  
CONNECT INLET; SNAP-IN

PART #: 42R02-3XXX-XXX

DRAWN BY	GQ	DATE:	8/2/01	TOLERANCE UNLESS OTHERWISE SPECIFIED  X ± 1 XX ± 0.4 XXX ± 0.20
CHECK BY	TD	DATE:	08/14/01	
APPR BY	PB	DATE:	08/14/01	
SCALE:	NTS	ALL DIMENSIONS FOR REFERENCE ONLY DIMENSIONS ARE IN MILLIMETERS		

**REVISIONS**

REV	DATE	CHANGE	CHNG	CHCK	APPR

6

5

4

3

2




1

SHEET  
1 of 1

**MATERIAL AND FINISH**

Insulator: Polycarbonate, UL-94V-0 rated  
 Contacts: Brass, Nickel plated

**ELECTRICAL SPECIFICATIONS:**

Current rating: 10 A   
 Voltage rating: 250 VAC  
 Current rating: 15 A   
 Voltage rating: 250 VAC 

ORDERING CODE:  
 42R02-4   1  2  3  



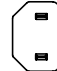
**1 = TERMINAL OPTIONS**

- 1 = .187(4.8)
- 2 = .250(6.3)

**2 = COLOR**

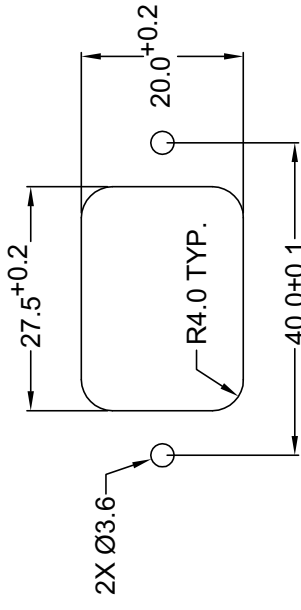
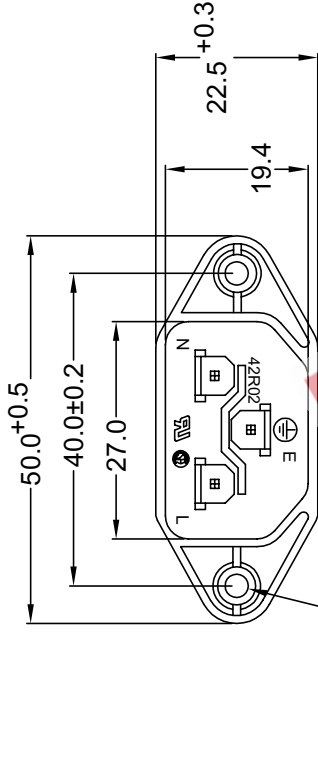
- 1 = BLACK
- 2 = GRAY

**3 = ELECTRICAL CIRCUIT CONFIGURATION**

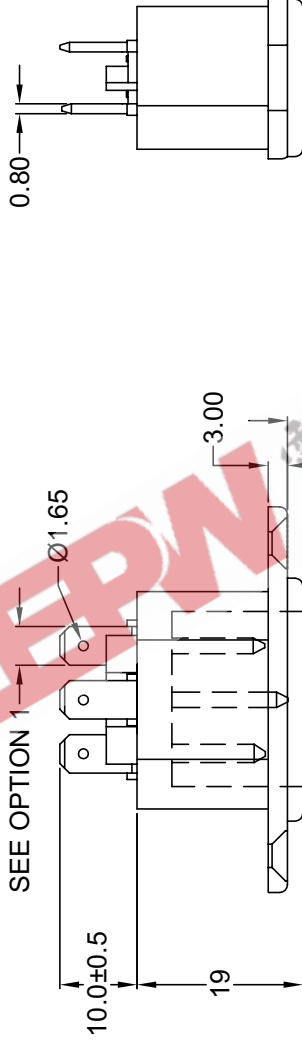
- 1 = 15A 250V 120°C 
- 2 = 15A 250V 70°C 2+GROUND 
- 4 = 15A 250V 70°C 2 POLE 

REV	DATE	CHANGE	CHNG	CHK	APP

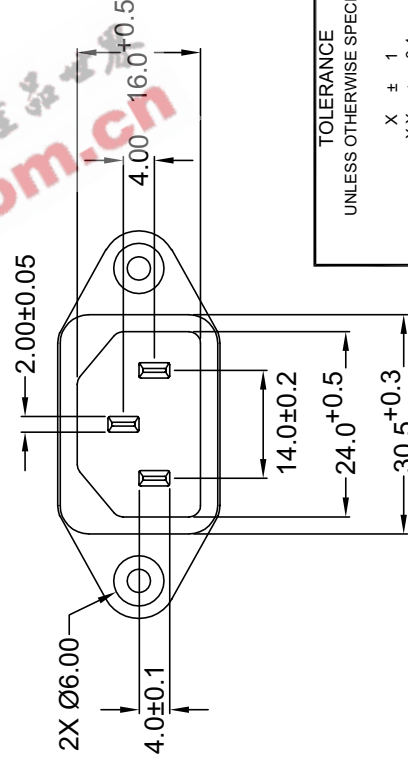
**REVISIONS**



RECOMMENDED  
 PANEL CUT-OUT



SEE OPTION 1



TOLERANCE  
 UNLESS OTHERWISE SPECIFIED

- X ± 1
- XX ± 0.4
- XXX ± 0.20

DRAWN BY	GQ	DATE:	8/6/01
CHECK BY	TD	DATE:	8/13/01
APPR BY	PB	DATE:	8/13/01

**Power Dynamics, Inc.**  
 Phone: 973 560-0019 Whippany, New Jersey Fax: 973 560-0076  
 PART: IEC 60320 C-14 APPL. INLET; QUICK CONNECT  
 TERMINALS; SIDE FLANGE, PANEL MOUNT


PART #	42R02-4XXX	SHEET	1 of 1
SCALE	NTS	ALL DIMENSIONS FOR REFERENCE ONLY	REVISIONS
REVISIONS		DIMENSIONS ARE IN MILLIMETERS	REV:

6 5 4 3 2 1

**MATERIAL AND FINISH**

Insulator: Polycarbonate, UL-94V-0 rated  
 Contacts: Brass, Nickel plated

**ELECTRICAL SPECIFICATIONS:**

Current rating: 10 A   
 Voltage rating: 250 VAC  
 Current rating: 15 A   
 Voltage rating: 250 VAC

**ORDERING CODE:**

42R02-5 1 2 3




**1 = TERMINAL OPTIONS**

- 1 = .187(4.8)
- 2 = .250(6.3)

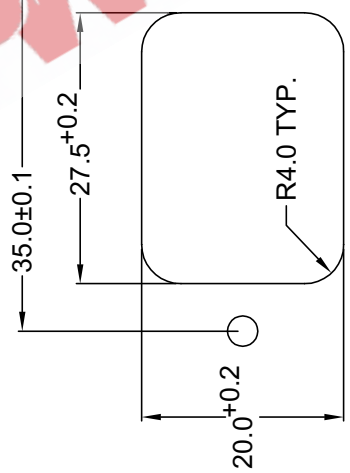
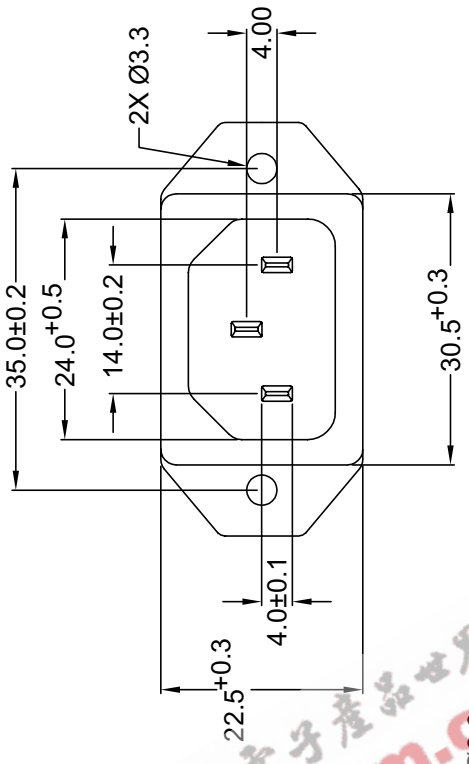
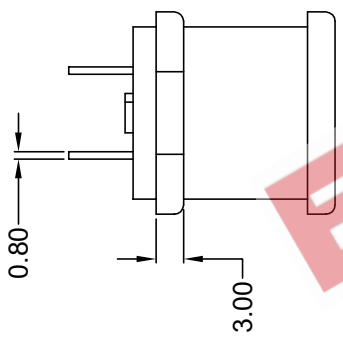
**2 = COLOR**

- 1 = BLACK
- 2 = GRAY

**3 = ELECTRICAL CIRCUIT CONFIGURATION**

- 1 = 15A 250V 120°C 
- 2 = 15A 250V 70°C 
- 4 = 15A 250V 70°C 

REV	DATE	CHNG	CHK	APPR
REVISIONS				



RECOMMENDED  
 PANEL CUTOUT

**Power Dynamics, Inc.**  
 Phone: 973 560-0019 Whippany, New Jersey Fax: 973 560-0076  
 PART: IEC 60320 C14 APPL. INLET; QUICK CONNECT  
 TERMINALS; BOTTOM FLANGE

**42R02-5XXX**

PART #  
 SIZE: A  
 SCALE: NTS

SHEET  
 1 of 1




ALL DIMENSIONS FOR REFERENCE ONLY  
 DIMENSIONS ARE IN MILLIMETERS

TOLERANCE UNLESS OTHERWISE SPECIFIED		DRAWN BY	GQ	DATE:	8/9/01
X	± 1	CHECK BY	TD	DATE:	8/13/01
X.X	± 0.4	APPR BY	PB	DATE:	8/13/01
X.XX	± 0.20				

**MATERIAL AND FINISH**

Insulator: Polycarbonate, UL-94V-0 rated  
 Contacts: Brass, Nickel plated

**ELECTRICAL SPECIFICATIONS:**

Current rating: 10 A   
 Voltage rating: 250 VAC  
 Current rating: 15 A   
 Voltage rating: 250 VAC 

**ORDERING CODE:**

42R02-6 1 2 3







**1 = TERMINAL OPTIONS**

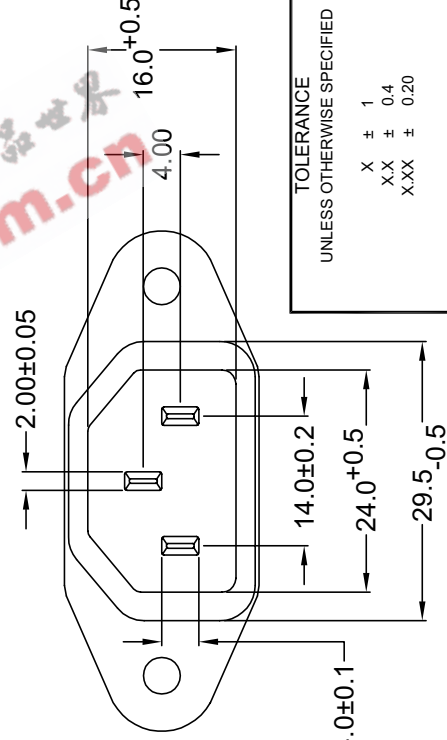
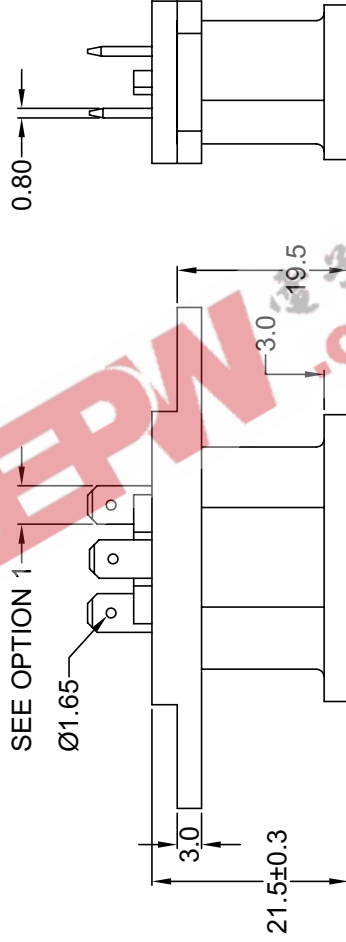
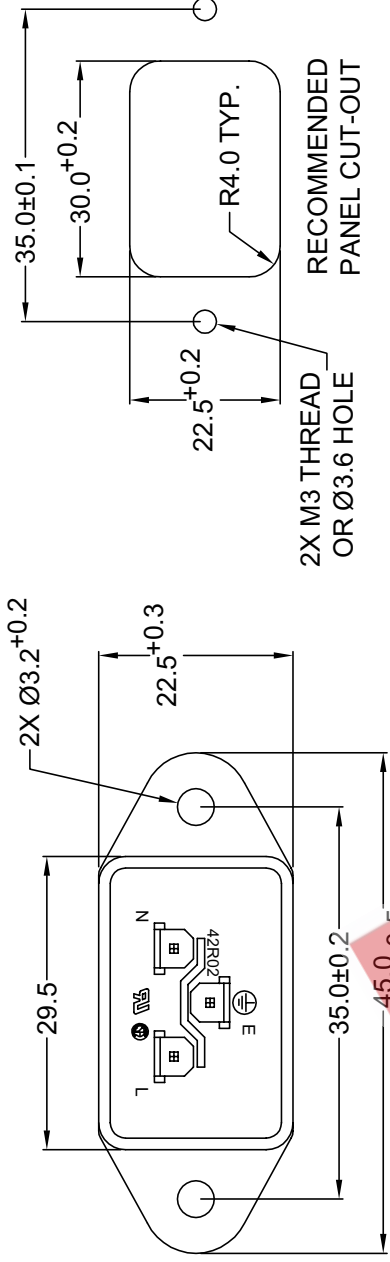
- 1 = .187(4.8)
- 2 = .250(6.3)

**2 = COLOR**

- 1 = BLACK
- 2 = GRAY

**3 = ELECTRICAL CIRCUIT CONFIGURATION**

- 1 = 15A 250V 120°C 
- 2+GROUND 
- 2 = 15A 250V 70°C 
- 2+GROUND 
- 4 = 15A 250V 70°C 
- 2 POLE 



REV	DATE	CHANGE	CHNG	CHK	APP

**REVISIONS**

APP	PB	DATE	DATE	DATE

TOLERANCE  
 UNLESS OTHERWISE SPECIFIED  
 X ± 1  
 X.X ± 0.4  
 X.XX ± 0.20

**Power Dynamics, Inc.**  
 Phone: 973 560-0019 Whippany, New Jersey Fax: 973 560-0076  
 PART: IEC 60320 C-14 APPL. INLET; QUICK CONNECT  
 TERMINALS; BOTTOM FLANGE

DRAWN BY	GQ	DATE:	8/6/01
CHECK BY	TD	DATE:	8/13/01
APPR BY	PB	DATE:	8/13/01


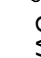
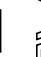
PART #: **42R02-6XXX**  
 SHEET 1 of 1  
 SCALE: NTS  
 ALL DIMENSIONS FOR REFERENCE ONLY  
 DIMENSIONS ARE IN MILLIMETERS

6 5 4 3 2 1

**MATERIAL AND FINISH**

Insulator: Polycarbonate, UL-94V-0 rated  
 Contacts: Brass, Nickel plated

**ELECTRICAL SPECIFICATIONS:**

Current rating: 10 A   
 Voltage rating: 250 VAC  
 Current rating: 15 A   
 Voltage rating: 250 VAC 

**ORDERING CODE:**

42R02-7 1 2 3




**1 = TERMINAL OPTIONS**

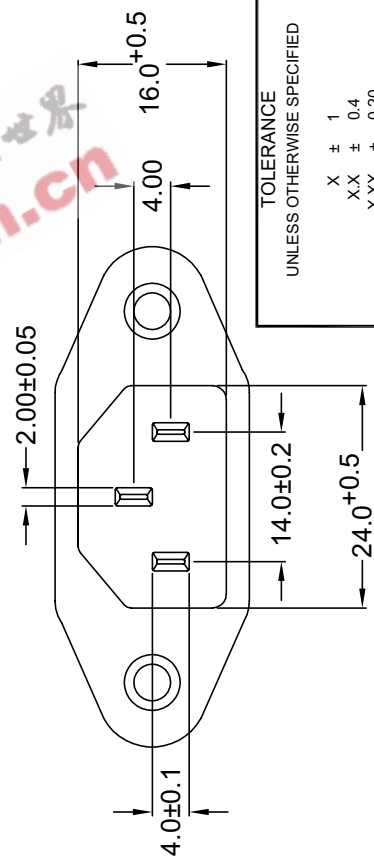
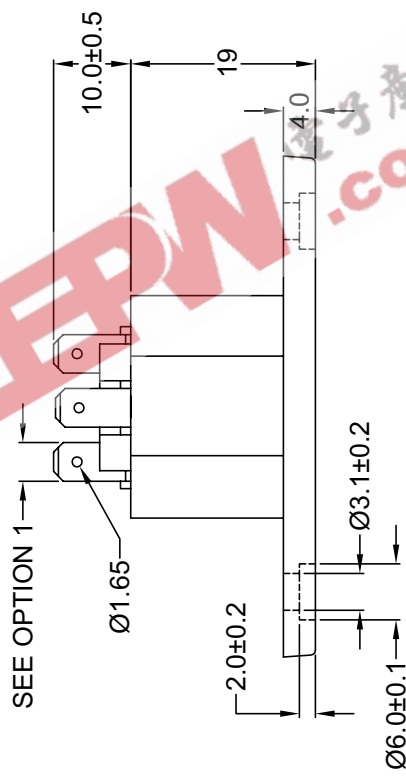
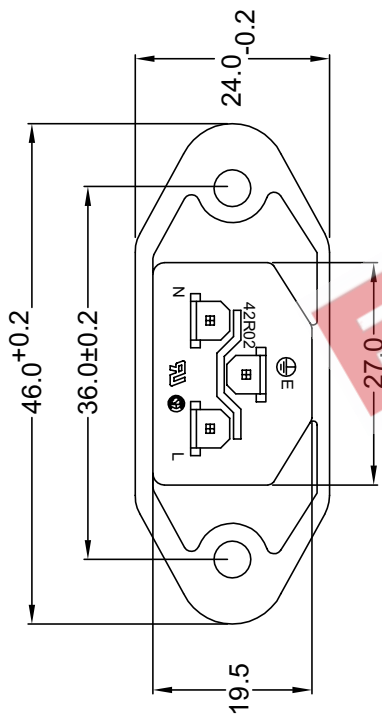
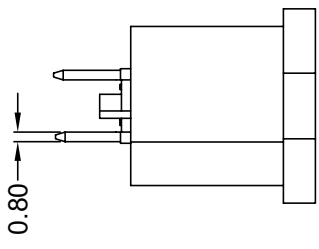
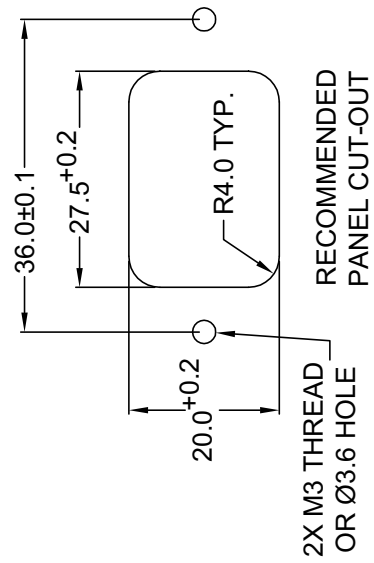
- 1 = .187(4.8)
- 2 = .250(6.3)

**2 = COLOR**

- 1 = BLACK
- 2 = GRAY

**3 = ELECTRICAL CIRCUIT CONFIGURATION**

- 1 = 15A 250V 120°C   
2+GROUND
- 2 = 15A 250V 70°C   
2+GROUND
- 4 = 15A 250V 70°C   
2 POLE



REV	DATE	CHANGE	CHNG	CHK	APP
-----	------	--------	------	-----	-----

**REVISIONS**

DRAWN BY	GQ	DATE	08/07/01
CHECK BY	TD	DATE	8/14/01
APPR BY	PB	DATE	8/14/01

TOLERANCE  
 UNLESS OTHERWISE SPECIFIED  
 X ± 1  
 X.X ± 0.4  
 X.XX ± 0.20

**Power Dynamics, Inc.**  
 Phone: 973 560-0019 Whippany, New Jersey Fax: 973 560-0076  
 PART: IEC 60320 C-14 APPL. INLET; QUICK CONNECT  
 TERMINALS; SIDE FLANGE

PART #	42R02-7XXX
SIZE	A
SCALE	NTS





SHEET 1 of 1	
ALL DIMENSIONS FOR REFERENCE ONLY DIMENSIONS ARE IN MILLIMETERS	

1 2 3 4 5 6

**MATERIAL AND FINISH**

Insulator: Polycarbonate, UL-94V-0 rated  
 Contacts: Brass, Nickel plated

**ELECTRICAL SPECIFICATIONS:**

Current rating: 10 A   
 Voltage rating: 250 VAC   
 Current rating: 15 A   
 Voltage rating: 250 VAC 

**ORDERING CODE:**

42R02-1 1 2 3




**1 = TERMINAL OPTIONS**

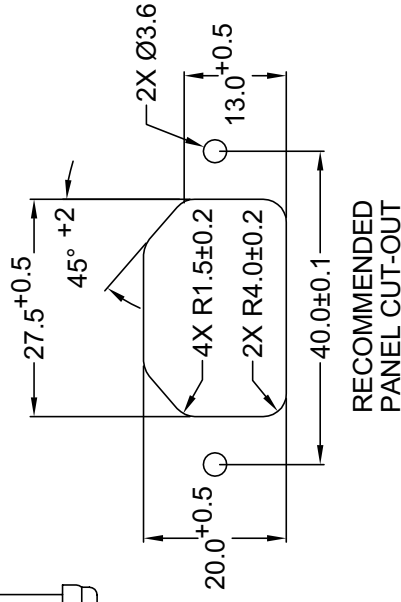
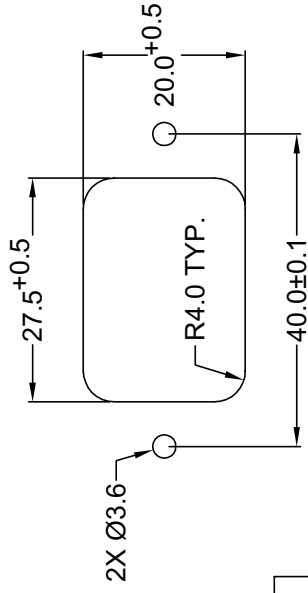
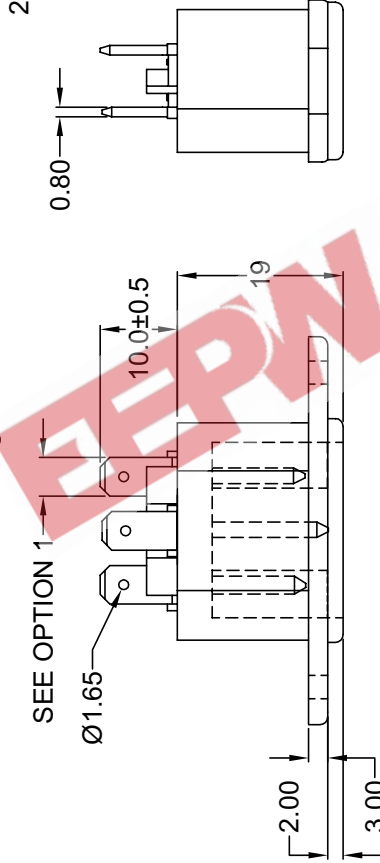
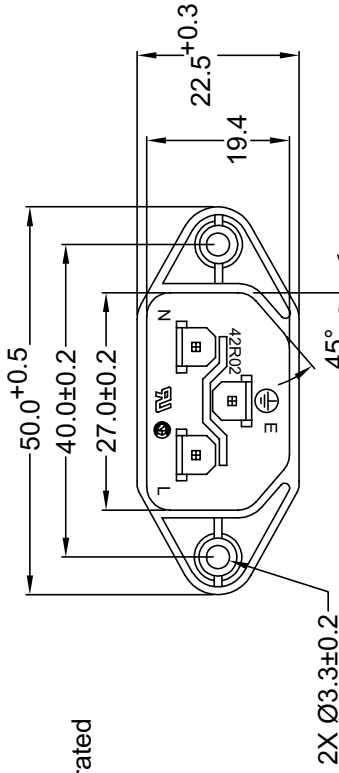
- 1 = .187(4.8)
- 2 = .250(6.3)

**2 = COLOR**

- 1 = BLACK
- 2 = GRAY

**3 = ELECTRICAL CIRCUIT CONFIGURATION**

- 1 = 15A 250V 120°C  2+GROUND
- 2 = 15A 250V 70°C  2+GROUND
- 4 = 15A 250V 70°C  2 POLE



RECOMMENDED  
 PANEL CUT-OUT

REV	DATE	CHANGE	CHNG	CHK	APP

**REVISIONS**

DRAWN BY	GQ	DATE:	8/7/01
CHECK BY	TD	DATE:	8/13/01
APPR BY	PB	DATE:	8/13/01

TOLERANCE  
 UNLESS OTHERWISE SPECIFIED

X ± 1  
 X.X ± 0.4  
 X.XX ± 0.20

**Power Dynamics, Inc.**

Phone: 973 560-0019 Whippany, New Jersey Fax: 973 560-0076

PART: IEC 60320 C14 APPL. INLET; QUICK CONNECT  
 TERMINALS; SIDE FLANGE

PART #	42R02-8XXX	SHEET	1 of 1
SCALE	NTS	REV.	

ALL DIMENSIONS FOR REFERENCE ONLY  
 DIMENSIONS ARE IN MILLIMETERS