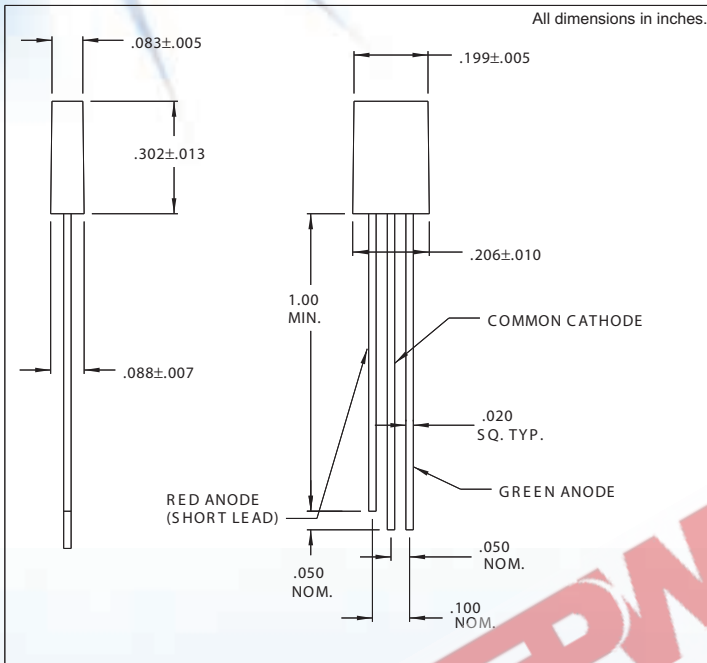


WORLDWIDE



**4363D1/5 Series Solid State LED Lamps-Tri-Color 2mm x 5mm**

**DESCRIPTION AND FEATURES**



- 3 lead design provides 3 color output.
- Two chips matched for brightness.
- Rectangular shape.
- Diffused on surface, even light distribution, wide viewing angle.

**ELECTRO-OPTICAL CHARACTERISTICS AND RATINGS**

PART NUMBER	4363D1/5	
Output Color	Red	Green
Diffusion	Diffused	Diffused
Package Color	Clear	Clear
Rated Current (mA)	20	20
Forward Voltage Typ. (V)	1.9	2.1
Forward Voltage Max. (V)	2.4	2.7
Luminous Intensity Min. (mcd)	2.1	2.6
Luminous Intensity Typ. (mcd)	3.5	4.0
Capacitance @ V=0 (pF)	11	18
Peak Wavelength (nm)	635	565
Viewing Angle 2θ 1/2 (degrees)	100	100
Power Dissipation (mW)	135	135
Continuous Forward Current Max. (mA)	25	25
Reverse Breakdown Voltage Min. (V)	5	5
Peak Forward Current Max. (1ms-300pps) (mA)	90	90

電子產品世界  
www.epw.com.cn

4363D1/5 Series Solid State LED Lamps-Tri-Color 2mm x 5mm



America:  
CML Innovative Technologies, Inc.  
147 Central Avenue  
Hackensack -NJ 07601 -USA  
Tel:1-201-489 -8989  
Fax:1-201-489 -6911  
e-mail:americas@cml-it.com

Europe:  
CML Technologies GmbH &Co.KG  
Robert-Bunsen-Str.1  
67098 Bad Dürkheim -GERMANY  
Tel:+49 (0)6322 9567-0  
Fax:+49 (0)6322 9567-88  
e-mail:europe@cml-it.com

Asia:  
CML Innovative Technologies, Inc.  
61 Aida Street  
Singapore 459975  
Tel:(65)9630 -5003  
e-mail:asia@cml-it.com