

RACKS

4 Channel

FEATURES

- Use for Isolating and Covering Signal Types to Standard Logic Voltages
- Terminal Block Connection for Input and Output
- Available for Standard and G5 I/O Modules
- Panel and DIN Rail Mount Versions
- UL, CSA Certified



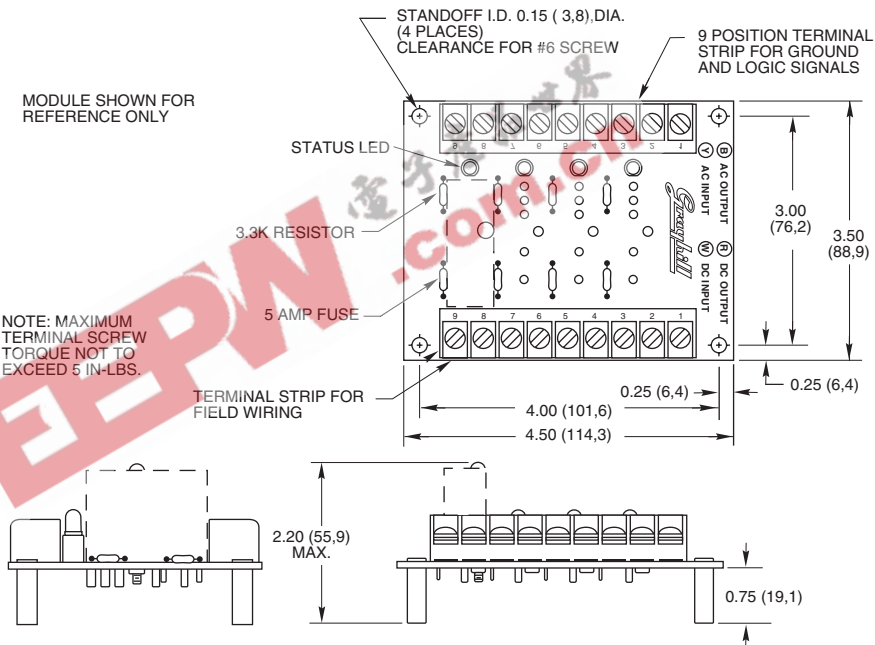
4 CHANNEL RACK: Standard

Part No. 70RCK4

Dimensions are shown in inches (and millimeters).
All tolerances are ± 0.010 (0,25) unless otherwise specified.

MODULE SHOWN FOR REFERENCE ONLY

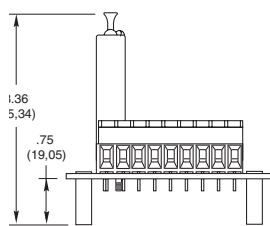
NOTE: MAXIMUM TERMINAL SCREW TORQUE NOT TO EXCEED 5 IN-LBS.



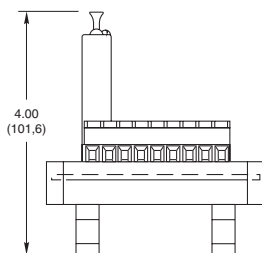
4 CHANNEL RACK: G5

Part No. 70GRCK4

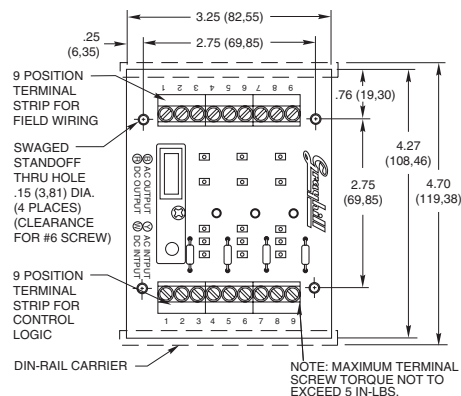
Dimensions are shown in inches (and millimeters).
All tolerances are ± 0.010 (0,25) unless otherwise specified.



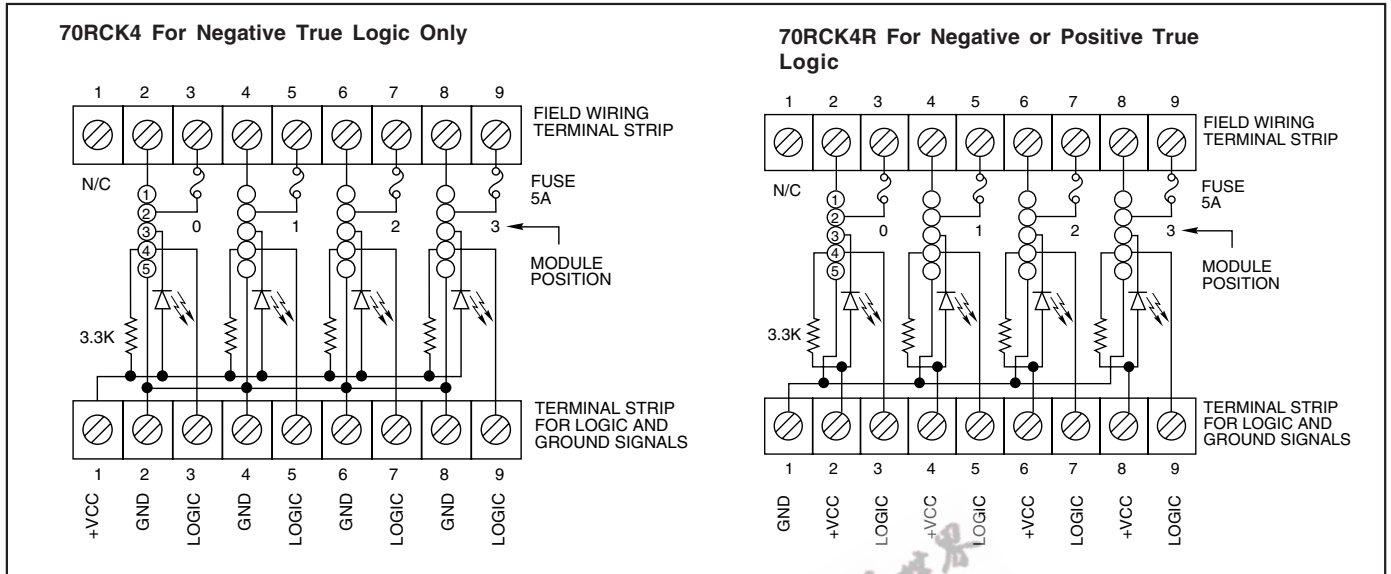
Panel Mount



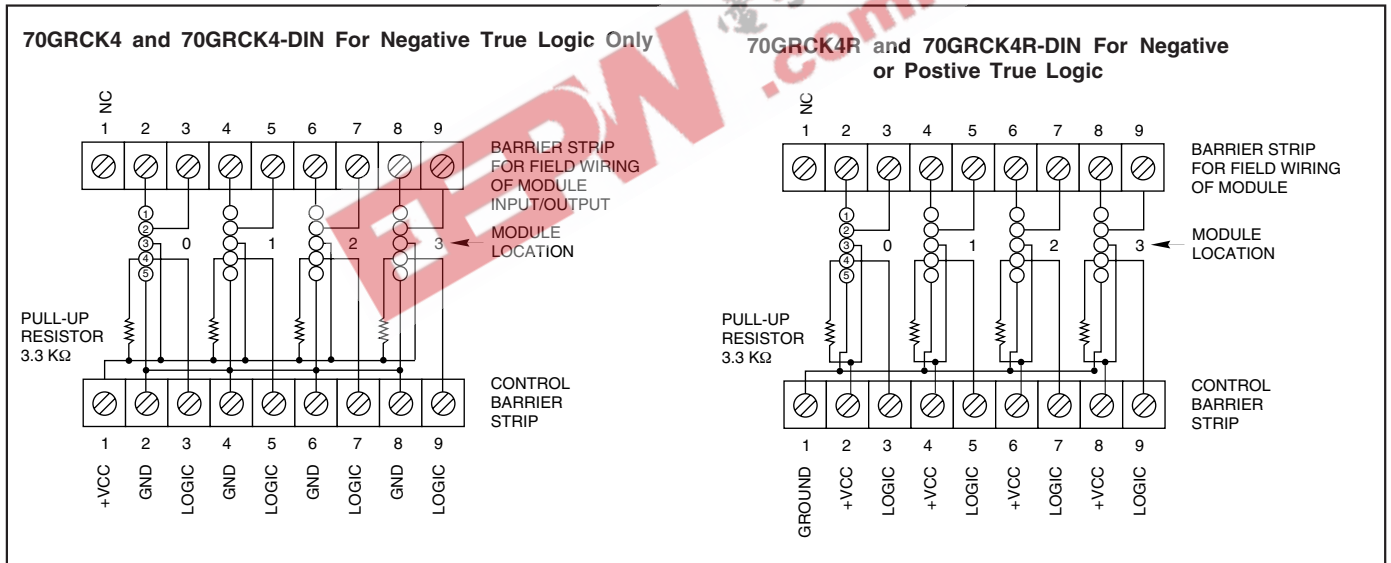
DIN-Rail Mount



SCHEMATICS: Part No. 70RCK4



SCHEMATICS: Part No. 70GRCK4



ORDERING INFORMATION (modules ordered separately)

Part Number	I/O	Description	UL	CSA	Style
70RCK4	4	Negative true logic	X	X	Standard
70RCK4R	4	Positive or negative true logic*	X	X	Standard
70GRCK4	4	Negative true logic	X	X	G5
70GRCK4R	4	Positive or negative true logic*	X	X	G5
70GRCK4-DIN	4	Negative true logic— <i>DIN rail mount</i>	X	X	G5
70GRCK4R-DIN	4	Positive or negative true logic*— <i>DIN rail mount</i>	X	X	G5

Available from your local Grayhill Distributor. For prices and discounts, contact a local Sales Office, an authorized local Distributor, or Grayhill.

*Note: Positive True Logic applies to output modules only.