

# DATA SHEET

For a complete data sheet, please also download:

- The IC06 74HC/HCT/HCU/HCMOS Logic Family Specifications
- The IC06 74HC/HCT/HCU/HCMOS Logic Package Information
- The IC06 74HC/HCT/HCU/HCMOS Logic Package Outlines

EEPW 电子产品世界  
.com.cn

## 74HC/HCT181 4-bit arithmetic logic unit

Product specification  
Supersedes data of September 1993  
File under Integrated Circuits, IC06

1998 Jun 10

## 4-bit arithmetic logic unit

## 74HC/HCT181

### FEATURES

- Full carry look-ahead for high-speed arithmetic operation on long words
- Provides 16 arithmetic operations: add, subtract, compare, double, plus 12 others
- Provides all 16 logic operations of two variables: EXCLUSIVE-OR, compare, AND, NAND, NOR, OR plus 10 other logic operations
- Output capability: standard, A=B open drain
- I<sub>CC</sub> category: MSI

### GENERAL DESCRIPTION

The 74HC/HCT181 are high-speed Si-gate CMOS devices and are pin compatible with low power Schottky TTL (LSTTL). They are specified in compliance with JEDEC standard no. 7A.

The 74HC/HCT181 are 4-bit high-speed parallel Arithmetic Logic Units (ALU). Controlled by the four function select inputs (S<sub>0</sub> to S<sub>3</sub>) and the mode control input (M), they can perform all the 16 possible logic operations or 16 different arithmetic operations on active HIGH or active LOW operands (see function table).

When the mode control input (M) is HIGH, all internal carries are inhibited and the device performs logic operations on the individual bits as listed. When M is LOW, the carries are enabled and the "181" performs arithmetic operations on the two 4-bit words. The "181" incorporates full internal carry look-ahead and provides for either ripple carry between devices using the C<sub>n+4</sub> output, or for carry look-ahead between packages using the carry propagation ( $\bar{P}$ ) and carry generate ( $\bar{G}$ ) signals.  $\bar{P}$  and  $\bar{G}$  are not affected by carry in.

When speed requirements are not stringent, it can be used in a simple ripple carry mode by connecting the carry output (C<sub>n+4</sub>) signal to the carry input (C<sub>n</sub>) of the next unit.

For high-speed operation the device is used in conjunction with the "182" carry look-ahead circuit. One carry look-ahead package is required for each group of four "181" devices. Carry look-ahead can be provided at various levels and offers high-speed capability over extremely long word lengths.

The comparator output (A=B) of the device goes HIGH when all four function outputs ( $\bar{F}_0$  to  $\bar{F}_3$ ) are HIGH and can be used to indicate logic equivalence over 4 bits when the unit is in the subtract mode. A=B is an open collector output and can be wired-AND with other A=B outputs to give a comparison for more than 4 bits. The open drain output A=B should be used with an external pull-up resistor in order to establish a logic HIGH level. The A=B signal can also be used with the C<sub>n+4</sub> signal to indicate A > B and A < B.

The function table lists the arithmetic operations that are performed without a carry in. An incoming carry adds a one to each operation. Thus, select code LHHL generates A minus B minus 1 (2s complement notation) without a carry in and generates A minus B when a carry is applied.

Because subtraction is actually performed by complementary addition (1s complement), a carry out means borrow; thus, a carry is generated when there is no under-flow and no carry is generated when there is underflow.

As indicated, the "181" can be used with either active LOW inputs producing active LOW outputs or with active HIGH inputs producing active HIGH outputs.

For either case the table lists the operations that are performed to the operands.

### ORDERING INFORMATION

TYPE NUMBER	PACKAGE		
	NAME	DESCRIPTION	VERSION
74HC181N3; 74HCT181N3	DIP24	plastic dual in-line package; 24 leads (300 mil)	SOT222-1
74HC181N; 74HCT181N	DIP24	plastic dual in-line package; 24 leads (600 mil)	SOT101-1
74HC181D; 74HCT181D	SO24	plastic small outline package; 24 leads; body width 7.5 mm	SOT137-1

4-bit arithmetic logic unit

74HC/HCT181

QUICK REFERENCE DATA

GND = 0 V; T<sub>amb</sub> = 25 °C; t<sub>r</sub> = t<sub>f</sub> = 6 ns

SYMBOL	PARAMETER	CONDITIONS	TYPICAL		UNIT
			HC	HCT	
t <sub>PHL</sub> / t <sub>PLH</sub>	propagation delay A <sub>n</sub> or B <sub>n</sub> to A=B C <sub>n</sub> to C <sub>n+4</sub>	C <sub>L</sub> = 15 pF; V <sub>CC</sub> = 5 V	28	30	ns
			17	21	ns
C <sub>I</sub>	input capacitance		3.5	3.5	pF
C <sub>PD</sub>	power dissipation capacitance per L package	notes 1 and 2	90	92	pF

Notes

- C<sub>PD</sub> is used to determine the dynamic power dissipation (P<sub>D</sub> in μW):

$$P_D = C_{PD} \times V_{CC}^2 \times f_i + \sum (C_L \times V_{CC}^2 \times f_o) \text{ where:}$$

f<sub>i</sub> = input frequency in MHz

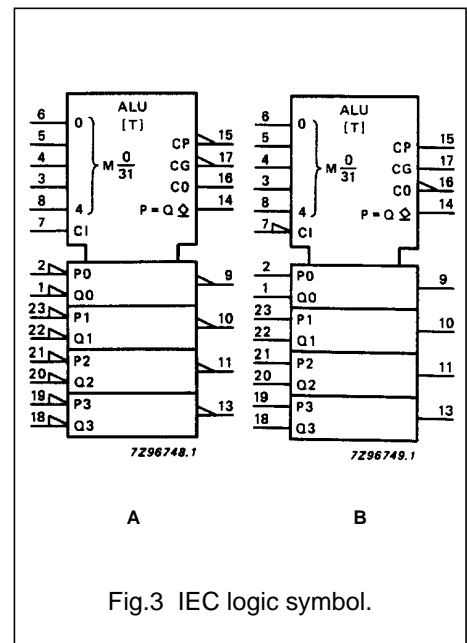
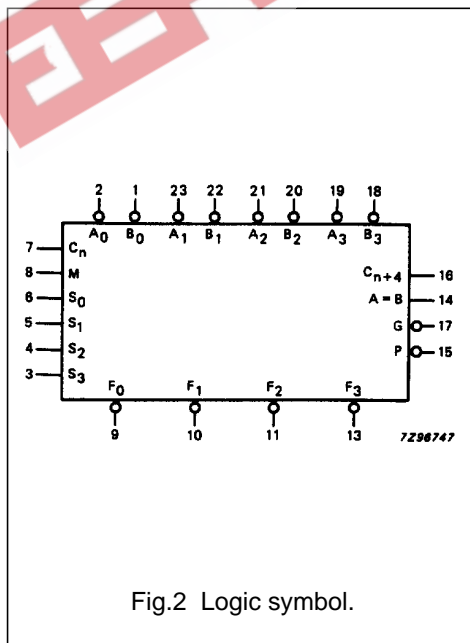
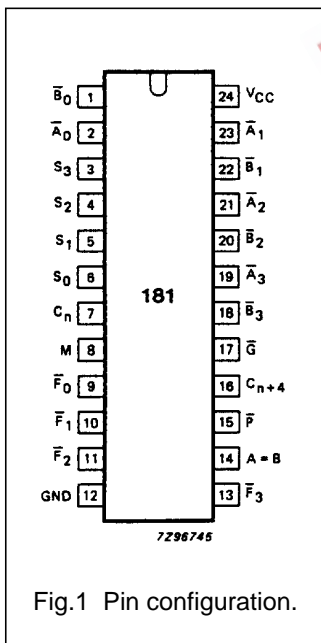
f<sub>o</sub> = output frequency in MHz

∑ (C<sub>L</sub> × V<sub>CC</sub><sup>2</sup> × f<sub>o</sub>) = sum of outputs

C<sub>L</sub> = output load capacitance in pF

V<sub>CC</sub> = supply voltage in V

- For HC the condition is V<sub>I</sub> = GND to V<sub>CC</sub>  
For HCT the condition is V<sub>I</sub> = GND to V<sub>CC</sub> - 1.5 V



4-bit arithmetic logic unit

74HC/HCT181

PIN DESCRIPTION

PIN NO.	SYMBOL	NAME AND FUNCTION
1, 22, 20, 18	$\overline{B}_0$ to $\overline{B}_3$	operand inputs (active LOW)
2, 23, 21, 19	$\overline{A}_0$ to $\overline{A}_3$	operand inputs (active LOW)
6, 5, 4, 3	$S_0$ to $S_3$	select inputs
7	$C_n$	carry input
8	M	mode control input
9, 10, 11, 13	$\overline{F}_0$ to $\overline{F}_3$	function outputs (active LOW)
12	GND	ground (0 V)
14	A=B	comparator output
15	$\overline{P}$	carry propagate output (active LOW)
16	$C_{n+4}$	carry output
17	$\overline{G}$	carry generate output (active LOW)
24	$V_{CC}$	positive supply voltage

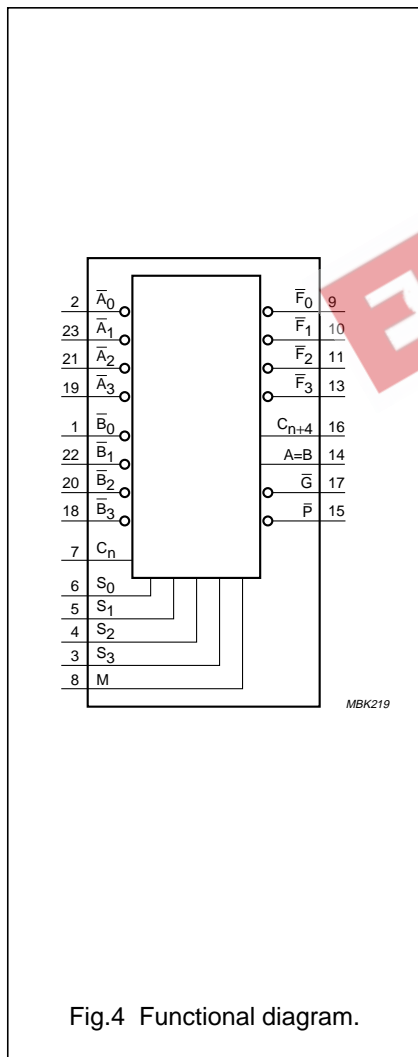


Fig.4 Functional diagram.

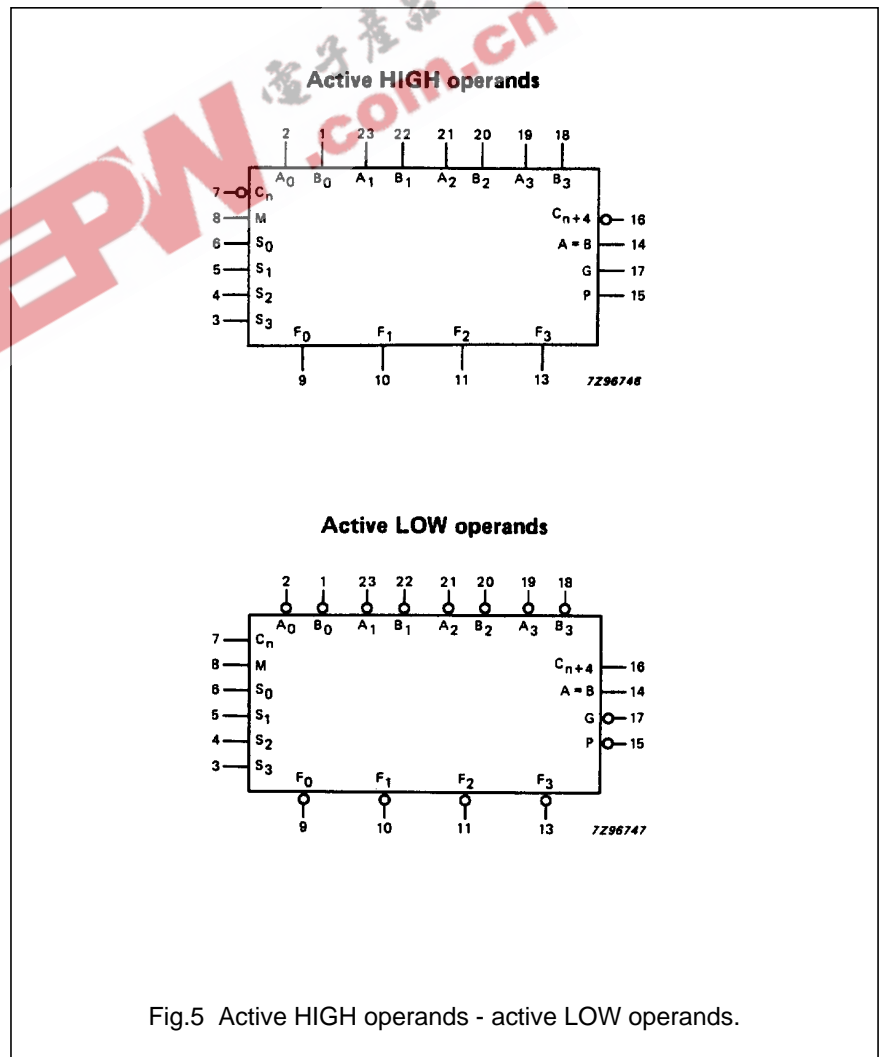


Fig.5 Active HIGH operands - active LOW operands.

4-bit arithmetic logic unit

74HC/HCT181

FUNCTION TABLES

MODE SELECT INPUTS				ACTIVE HIGH INPUTS AND OUTPUTS	
S <sub>3</sub>	S <sub>2</sub>	S <sub>1</sub>	S <sub>0</sub>	LOGIC (M=H)	ARITHMETIC <sup>(2)</sup> (M=L; C <sub>n</sub> =H)
L	L	L	L	$\overline{A}$	A
L	L	L	H	$\overline{A + B}$	A + B
L	L	H	L	$\overline{AB}$	A + $\overline{B}$
L	L	H	H	logical 0	minus 1
L	H	L	L	$\overline{AB}$	A plus $\overline{AB}$
L	H	L	H	$\overline{B}$	(A + B) plus $\overline{AB}$
L	H	H	L	$A \oplus B$	A minus B minus 1
L	H	H	H	$\overline{AB}$	$\overline{AB}$ minus 1
H	L	L	L	$\overline{A + B}$	A plus AB
H	L	L	H	$\overline{A \oplus B}$	A plus B
H	L	H	L	B	(A + $\overline{B}$ ) plus AB
H	L	H	H	AB	AB minus 1
H	H	L	L	logical 1	A plus A <sup>(1)</sup>
H	H	L	H	$A + \overline{B}$	(A + B) plus A
H	H	H	L	A + B	(A + $\overline{B}$ ) plus A
H	H	H	H	A	A minus 1

MODE SELECT INPUTS				ACTIVE LOW INPUTS AND OUTPUTS	
S <sub>3</sub>	S <sub>2</sub>	S <sub>1</sub>	S <sub>0</sub>	LOGIC (M=H)	ARITHMETIC <sup>(2)</sup> (M=L; C <sub>n</sub> =L)
L	L	L	L	$\overline{A}$	A minus 1
L	L	L	H	$\overline{AB}$	AB minus 1
L	L	H	L	$\overline{A + B}$	$\overline{AB}$ minus 1
L	L	H	H	logical 1	minus 1
L	H	L	L	$\overline{A + B}$	A plus (A + $\overline{B}$ )
L	H	L	H	$\overline{B}$	AB plus (A + $\overline{B}$ )
L	H	H	L	$\overline{A \oplus B}$	A minus B minus 1
L	H	H	H	$A + \overline{B}$	A + $\overline{B}$
H	L	L	L	$\overline{AB}$	A plus (A + B)
H	L	L	H	$A \oplus B$	A plus B
H	L	H	L	B	$\overline{AB}$ plus (A + B)
H	L	H	H	A + B	A + B
H	H	L	L	logical 0	A plus A <sup>(1)</sup>
H	H	L	H	$\overline{AB}$	AB plus A
H	H	H	L	AB	$\overline{AB}$ plus A
H	H	H	H	A	A

Notes to the function tables

1. Each bit is shifted to the next more significant position.
2. Arithmetic operations expressed in 2s complement notation.

H = HIGH voltage level  
L = LOW voltage level

Notes to the function tables

1. Each bit is shifted to the next more significant position.
2. Arithmetic operations expressed in 2s complement notation.

H = HIGH voltage level  
L = LOW voltage level

4-bit arithmetic logic unit

74HC/HCT181

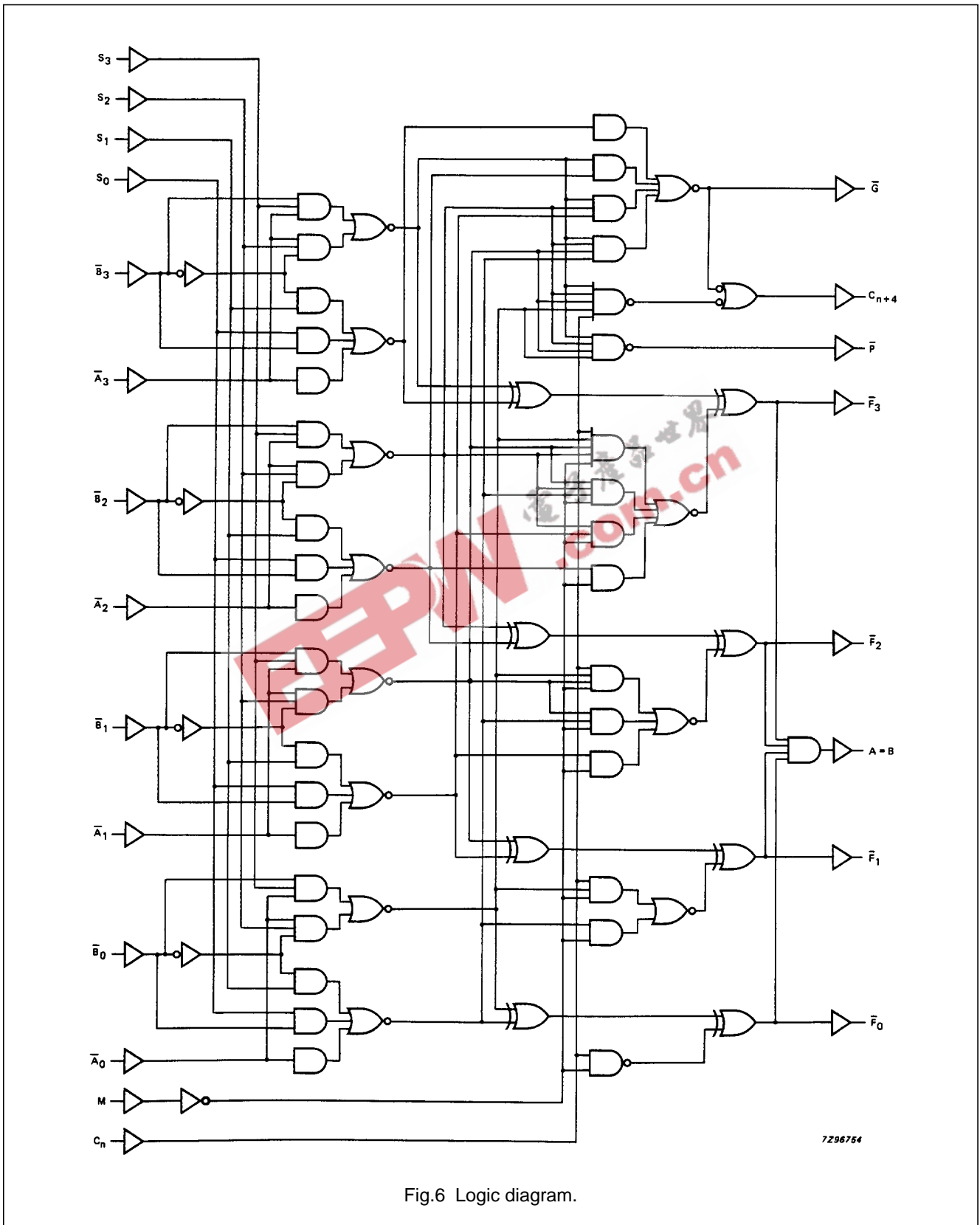


Fig.6 Logic diagram.

## 4-bit arithmetic logic unit

## 74HC/HCT181

**Table 1** SUM MODE TESTFunction inputs  $S_0 = S_3 = 4.5\text{ V}$ ,  $M = S_1 = S_2 = 0\text{ V}$ 

PARAMETER	INPUT UNDER TEST	OTHER INPUT, SAME BIT		OTHER DATA INPUTS		OUTPUT UNDER TEST
		Apply 4.5 V	Apply GND	Apply 4.5 V	Apply GND	
$t_{PLH}/t_{PHL}$	$\bar{A}_i$	$\bar{B}_i$	none	remaining $\bar{A}$ and $\bar{B}$	$C_n$	$\bar{F}_i$
$t_{PLH}/t_{PHL}$	$\bar{B}_i$	$\bar{A}_i$	none	remaining $\bar{A}$ and $\bar{B}$	$C_n$	$\bar{F}_i$
$t_{PLH}/t_{PHL}$	$\bar{A}_i$	$\bar{B}_i$	none	none	remaining $\bar{A}$ and $\bar{B}$ , $C_n$	$\bar{P}$
$t_{PLH}/t_{PHL}$	$\bar{B}_i$	$\bar{A}_i$	none	none	remaining $\bar{A}$ and $\bar{B}$ , $C_n$	$\bar{P}$
$t_{PLH}/t_{PHL}$	$\bar{A}_i$	none	$\bar{B}_i$	remaining $\bar{B}$	remaining $\bar{A}$ , $C_n$	$\bar{G}$
$t_{PLH}/t_{PHL}$	$\bar{B}_i$	none	$\bar{A}_i$	remaining $\bar{B}$	remaining $\bar{A}$ , $C_n$	$\bar{G}$
$t_{PLH}/t_{PHL}$	$\bar{A}_i$	none	$\bar{B}_i$	remaining $\bar{B}$	remaining $\bar{A}$ , $C_n$	$C_{n+4}$
$t_{PLH}/t_{PHL}$	$\bar{B}_i$	none	$\bar{A}_i$	remaining $\bar{B}$	remaining $\bar{A}$ , $C_n$	$C_{n+4}$
$t_{PLH}/t_{PHL}$	$C_n$	none	none	all $\bar{A}$	all $\bar{B}$	any $\bar{F}$ or $C_{n+4}$

**Table 2** DIFFERENTIAL MODE TESTFunction inputs  $S_1 = S_2 = 4.5\text{ V}$ ,  $M = S_0 = S_3 = 0\text{ V}$ 

PARAMETER	INPUT UNDER TEST	OTHER INPUT, SAME BIT		OTHER DATA INPUTS		OUTPUT UNDER TEST
		Apply 4.5 V	Apply GND	Apply 4.5 V	Apply GND	
$t_{PLH}/t_{PHL}$	$\bar{A}_i$	none	$\bar{B}_i$	remaining $\bar{A}$	remaining $\bar{B}$ , $C_n$	$\bar{F}_i$
$t_{PLH}/t_{PHL}$	$\bar{B}_i$	$\bar{A}_i$	none	remaining $\bar{A}$	remaining $\bar{B}$ , $C_n$	$\bar{F}_i$
$t_{PLH}/t_{PHL}$	$\bar{A}_i$	none	$\bar{B}_i$	none	remaining $\bar{A}$ and $\bar{B}$ , $C_n$	$\bar{P}$
$t_{PLH}/t_{PHL}$	$\bar{B}_i$	$\bar{A}_i$	none	none	remaining $\bar{A}$ and $\bar{B}$ , $C_n$	$\bar{P}$
$t_{PLH}/t_{PHL}$	$\bar{A}_i$	$\bar{B}_i$	none	none	remaining $\bar{A}$ and $\bar{B}$ , $C_n$	$\bar{G}$
$t_{PLH}/t_{PHL}$	$\bar{B}_i$	none	$\bar{A}_i$	none	remaining $\bar{A}$ and $\bar{B}$ , $C_n$	$\bar{G}$
$t_{PLZ}/t_{PZL}$	$\bar{A}_i$	none	$\bar{B}_i$	remaining $\bar{A}$	remaining $\bar{B}$ , $C_n$	$A=B$
$t_{PLZ}/t_{PZL}$	$\bar{B}_i$	$\bar{A}_i$	none	remaining $\bar{A}$	remaining $\bar{B}$ , $C_n$	$A=B$
$t_{PLH}/t_{PHL}$	$\bar{A}_i$	$\bar{B}_i$	none	none	remaining $\bar{A}$ and $\bar{B}$ , $C_n$	$C_{n+4}$
$t_{PLH}/t_{PHL}$	$\bar{B}_i$	none	$\bar{A}_i$	none	remaining $\bar{A}$ and $\bar{B}$ , $C_n$	$C_{n+4}$
$t_{PLH}/t_{PHL}$	$C_n$	none	none	all $\bar{A}$ and $\bar{B}$	none	any $\bar{F}$ or $C_{n+4}$

**Table 3** LOGIC MODE TESTFunction inputs  $M = S_1 = S_2 = 4.5\text{ V}$ ,  $S_0 = S_3 = 0\text{ V}$ 

PARAMETER	INPUT UNDER TEST	OTHER INPUT, SAME BIT		OTHER DATA INPUTS		OUTPUT UNDER TEST
		Apply 4.5 V	Apply GND	Apply 4.5 V	Apply GND	
$t_{PLH}/t_{PHL}$	$\bar{A}_i$	$\bar{B}_i$	none	none	remaining $\bar{A}$ and $\bar{B}$ , $C_n$	$\bar{F}_i$
$t_{PLH}/t_{PHL}$	$\bar{B}_i$	$\bar{A}_i$	none	none	remaining $\bar{A}$ and $\bar{B}$ , $C_n$	$\bar{F}_i$

4-bit arithmetic logic unit

74HC/HCT181

**RATINGS** (for A=B output only)

Limiting values in accordance with the Absolute Maximum System (IEC 134)

Voltage are referenced to GND (ground = 0 V)

SYMBOL	PARAMETER	MIN.	MAX.	UNIT	CONDITIONS
$V_O$	DC output voltage	-0.5	+7.0	V	
$-I_{OK}$	DC output diode current		20	mA	for $V_O < -0.5$ V
$-I_O$	DC output source or sink current		25	mA	for $-0.5$ V $< V_O$

**DC CHARACTERISTICS FOR 74HC**

For the DC characteristics see *"74HC/HCT/HCU/HCMOS Logic Family Specifications"*.

Output capability: standard

I<sub>CC</sub> category: MSI

Voltages are referenced to GND (ground = 0 V)

SYMBOL	PARAMETER	T <sub>amb</sub> (°C)						UNIT	TEST CONDITIONS			
		74HC							V <sub>CC</sub> (V)	V <sub>IL</sub>	OTHER	
		+25			-40 to +85		-40 to +125					
		min.	typ.	max.	min.	max.	min.					max.
I <sub>oz</sub>	HIGH level output leakage current			0.5		5.0		10.0	μA	2.0 to 6.0	V <sub>IL</sub>	note 1 V <sub>O</sub> = 0 or 6 V

**Note to the DC characteristics**

- The maximum operating output voltage (V<sub>O(max)</sub>) is 6.0 V.



## 4-bit arithmetic logic unit

## 74HC/HCT181

## AC CHARACTERISTICS FOR 74HC

GND = 0 V;  $t_r = t_f = 6$  ns;  $C_L = 50$  pF

SYMBOL	PARAMETER	$T_{amb}$ (°C)								UNIT	TEST CONDITIONS		
		74HC									$V_{CC}$ (V)	MODE	OTHER
		+25			-40 to +85		-40 to +125						
		min.	typ.	max.	min.	max.	min.	max.					
$t_{PHL}/t_{PLH}$	propagation delay $C_n$ to $C_{n+4}$		55 20 16	165 33 28		205 41 35		250 50 43	ns	2.0 4.5 6.0	sum diff	M = 0 V; Fig.9; Tables 1 and 2	
$t_{PHL}/t_{PLH}$	propagation delay $C_n$ to $\bar{F}_n$		69 25 20	200 40 34		250 50 43		300 60 51	ns	2.0 4.5 6.0	sum diff	M = 0 V; Fig.9; Tables 1 and 2	
$t_{PHL}/t_{PLH}$	propagation delay $\bar{A}_n$ to $\bar{G}$		72 26 21	210 42 36		265 53 45		315 63 54	ns	2.0 4.5 6.0	sum	M = $S_1 = S_2 = 0$ V; $S_0 = S_3 = 4.5$ V; Fig.7; Table 1	
$t_{PHL}/t_{PLH}$	propagation delay $\bar{B}_n$ to $\bar{G}$		77 28 22	230 46 39		290 58 49		345 69 59	ns	2.0 4.5 6.0	sum	M = $S_1 = S_2 = 0$ V; $S_0 = S_3 = 4.5$ V; Fig.7; Table 1	
$t_{PHL}/t_{PLH}$	propagation delay $\bar{A}_n$ to $\bar{G}$		76 26 21	215 43 37		270 54 46		320 65 55	ns	2.0 4.5 6.0	diff	M = $S_0 = S_3 = 0$ V; $S_1 = S_2 = 4.5$ V; Fig.8; Table 2	
$t_{PHL}/t_{PLH}$	propagation delay $\bar{B}_n$ to $\bar{G}$		77 28 22	240 48 41		300 60 51		360 72 61	ns	2.0 4.5 6.0	diff	M = $S_0 = S_3 = 0$ V; $S_1 = S_2 = 4.5$ V; Fig.8; Table 2	
$t_{PHL}/t_{PLH}$	propagation delay $\bar{A}_n$ to $\bar{P}$		61 22 18	185 37 31		230 46 39		280 56 48	ns	2.0 4.5 6.0	sum	M = $S_1 = S_2 = 0$ V; $S_0 = S_3 = 4.5$ V; Fig.7; Table 1	
$t_{PHL}/t_{PLH}$	propagation delay $\bar{B}_n$ to $\bar{P}$		63 23 18	195 39 33		245 49 42		295 59 50	ns	2.0 4.5 6.0	sum	M = $S_1 = S_2 = 0$ V; $S_0 = S_3 = 4.5$ V; Fig.7; Table 1	
$t_{PHL}/t_{PLH}$	propagation delay $\bar{A}_n$ to $\bar{P}$		55 20 16	170 34 29		215 43 37		255 51 43	ns	2.0 4.5 6.0	diff	M = $S_0 = S_3 = 0$ V; $S_1 = S_2 = 4.5$ V; Fig.8; Table 2	
$t_{PHL}/t_{PLH}$	propagation delay $\bar{B}_n$ to $\bar{P}$		63 23 18	195 39 33		245 49 42		295 59 50	ns	2.0 4.5 6.0	diff	M = $S_0 = S_3 = 0$ V; $S_1 = S_2 = 4.5$ V; Fig.8; Table 2	
$t_{PHL}/t_{PLH}$	propagation delay $\bar{A}_i$ to $\bar{F}_i$		77 28 22	230 46 39		290 58 49		345 69 59	ns	2.0 4.5 6.0	sum	M = $S_1 = S_2 = 0$ V; $S_0 = S_3 = 4.5$ V; Fig.7; Table 1	
$t_{PHL}/t_{PLH}$	propagation delay $\bar{B}_i$ to $\bar{F}_i$		85 31 25	255 51 43		320 64 54		385 77 65	ns	2.0 4.5 6.0	sum	M = $S_1 = S_2 = 0$ V; $S_0 = S_3 = 4.5$ V; Fig.7; Table 1	
$t_{PHL}/t_{PLH}$	propagation delay $\bar{A}_i$ to $\bar{F}_i$		77 28 22	235 47 40		295 59 50		355 71 60	ns	2.0 4.5 6.0	diff	M = $S_0 = S_3 = 0$ V; $S_1 = S_2 = 4.5$ V; Fig.8; Table 2	
$t_{PHL}/t_{PLH}$	propagation delay $\bar{B}_i$ to $\bar{F}_i$		83 31 24	255 51 43		320 64 54		385 77 65	ns	2.0 4.5 6.0	diff	M = $S_0 = S_3 = 0$ V; $S_1 = S_2 = 4.5$ V; Fig.8; Table 2	

## 4-bit arithmetic logic unit

## 74HC/HCT181

SYMBOL	PARAMETER	T <sub>amb</sub> (°C)							UNIT	TEST CONDITIONS		
		74HC								V <sub>CC</sub> (V)	MODE	OTHER
		+25			-40 to +85		-40 to +125					
		min.	typ.	max.	min.	max.	min.	max.				
t <sub>PHL</sub> / t <sub>PLH</sub>	propagation delay $\bar{A}_i$ to $\bar{F}_i$		74 27 22	230 46 39		290 58 49		345 69 59	ns	2.0 4.5 6.0	logic	M = 4.5 V; Fig.8; Table 3
t <sub>PHL</sub> / t <sub>PLH</sub>	propagation delay $\bar{B}_i$ to $\bar{F}_i$		83 30 24	255 51 43		320 64 54		385 77 65	ns	2.0 4.5 6.0	logic	M = 4.5 V; Fig.8; Table 3
t <sub>PHL</sub> / t <sub>PLH</sub>	propagation delay $\bar{A}_n$ to C <sub>n+4</sub>		80 29 23	235 47 40		295 59 50		355 71 60	ns	2.0 4.5 6.0	sum	M = S <sub>1</sub> = S <sub>2</sub> = 0 V; S <sub>0</sub> = S <sub>3</sub> = 4.5 V; Fig.8; Table 1
t <sub>PHL</sub> / t <sub>PLH</sub>	propagation delay $\bar{B}_n$ to C <sub>n+4</sub>		80 29 23	235 47 40		295 59 50		355 71 60	ns	2.0 4.5 6.0	sum	M = S <sub>1</sub> = S <sub>2</sub> = 0 V; S <sub>0</sub> = S <sub>3</sub> = 4.5 V; Fig.8; Table 1
t <sub>PHL</sub> / t <sub>PLH</sub>	propagation delay $\bar{A}_n$ to C <sub>n+4</sub>		77 28 22	235 47 40		295 59 50		355 71 60	ns	2.0 4.5 6.0	diff	M = S <sub>0</sub> = S <sub>3</sub> = 0 V; S <sub>1</sub> = S <sub>2</sub> = 4.5 V; Fig.10; Table 2
t <sub>PHL</sub> / t <sub>PLH</sub>	propagation delay $\bar{B}_n$ to C <sub>n+4</sub>		85 31 25	255 51 43		320 64 54		385 77 65	ns	2.0 4.5 6.0	diff	M = S <sub>0</sub> = S <sub>3</sub> = 0 V; S <sub>1</sub> = S <sub>2</sub> = 4.5 V; Fig.10; Table 2
t <sub>PZL</sub> / t <sub>PLZ</sub>	propagation delay $\bar{A}_n$ to A=B		80 29 23	245 49 42		305 61 52		370 74 63	ns	2.0 4.5 6.0	diff	M = S <sub>0</sub> = S <sub>3</sub> = 0 V; S <sub>1</sub> = S <sub>2</sub> = 4.5 V; Fig.11; Table 2
t <sub>PZL</sub> / t <sub>PLZ</sub>	propagation delay $\bar{B}_n$ to A=B		88 32 26	270 54 46		340 68 58		405 81 69	ns	2.0 4.5 6.0	diff	M = S <sub>0</sub> = S <sub>3</sub> = 0 V; S <sub>1</sub> = S <sub>2</sub> = 4.5 V; Fig.11; Table 2
t <sub>PHL</sub> / t <sub>PLH</sub>	propagation delay $\bar{A}_n$ to $\bar{F}_n$		83 30 24	255 51 43		320 64 54		385 77 65	ns	2.0 4.5 6.0	sum	M = S <sub>1</sub> = S <sub>2</sub> = 0 V; S <sub>0</sub> = S <sub>3</sub> = 4.5 V; Fig.7; Table 1
t <sub>PHL</sub> / t <sub>PLH</sub>	propagation delay $\bar{B}_n$ to $\bar{F}_n$		85 31 25	265 53 45		330 66 56		400 80 68	ns	2.0 4.5 6.0	sum	M = S <sub>1</sub> = S <sub>2</sub> = 0 V; S <sub>0</sub> = S <sub>3</sub> = 4.5 V; Fig.7; Table 1
t <sub>PHL</sub> / t <sub>PLH</sub>	propagation delay $\bar{A}_n$ to $\bar{F}_n$		77 28 22	240 48 41		300 60 51		360 72 61	ns	2.0 4.5 6.0	diff	M = S <sub>0</sub> = S <sub>3</sub> = 0 V; S <sub>1</sub> = S <sub>2</sub> = 4.5 V; Fig.8; Table 2
t <sub>PHL</sub> / t <sub>PLH</sub>	propagation delay $\bar{B}_n$ to $\bar{F}_n$		88 32 26	275 55 47		345 69 59		415 83 71	ns	2.0 4.5 6.0	diff	M = S <sub>0</sub> = S <sub>3</sub> = 0 V; S <sub>1</sub> = S <sub>2</sub> = 4.5 V; Fig.8; Table 2
t <sub>THL</sub> / t <sub>TLH</sub>	output transition time		19 7 6	75 15 13		95 19 16		110 22 19	ns	2.0 4.5 6.0		note ; Figs 7 and 11

**Note to the AC characteristics**

1. For the open drain output (A=B) only t<sub>THL</sub> is valid.

4-bit arithmetic logic unit

74HC/HCT181

**DC CHARACTERISTICS FOR 74HCT**

For the DC characteristics see *“74HC/HCT/HCU/HCMOS Logic Family Specifications”*.

Output capability: standard

I<sub>CC</sub> category: MSI

Voltages are referenced to GND (ground = 0 V)

SYMBOL	PARAMETER	T <sub>amb</sub> (°C)							UNIT	TEST CONDITIONS			
		74HCT								V <sub>CC</sub> (V)	V <sub>IL</sub>	OTHER	
		+25			-40 to +85		-40 to +125						
		min.	typ.	max.	min.	max.	min.	max.					
I <sub>OZ</sub>	HIGH level output leakage current			0.5		5.0		10.0	μA	2.0 to 6.0	V <sub>IL</sub>	note 1 V <sub>O</sub> = 0 or 6 V	

**Note to the DC characteristics**

1. The maximum operating output voltage (V<sub>O(max)</sub>) is 6.0 V.

**Note to HCT types**

The value of additional quiescent supply current (ΔI<sub>CC</sub>) for a unit load of 1 is given in the family specifications. To determine ΔI<sub>CC</sub> per input, multiply this value by the unit load coefficient shown in the table below.

INPUT	UNIT LOAD COEFFICIENT
C <sub>n</sub> , M	0.50
$\bar{A}_n, \bar{B}_n$	0.75
S <sub>n</sub>	1.00

## 4-bit arithmetic logic unit

## 74HC/HCT181

## AC CHARACTERISTICS FOR 74HCT

GND = 0 V;  $t_r = t_f = 6$  ns;  $C_L = 50$  pF

SYMBOL	PARAMETER	$T_{amb}$ (°C)							UNIT	TEST CONDITIONS		
		74HCT								$V_{CC}$ (V)	MODE	OTHER
		+25			-40 to +85		-40 to +125					
		min.	typ.	max.	min.	max.	min.	max.				
$t_{PHL}/t_{PLH}$	propagation delay $C_n$ to $C_{n+4}$		25	42		53		63	ns	4.5	sum diff	M = 0 V; Fig.9; Tables 1 and 2
$t_{PHL}/t_{PLH}$	propagation delay $C_n$ to $\bar{F}_n$		28	48		60		72	ns	4.5	sum diff	M = 0 V; Fig.9; Tables 1 and 2
$t_{PHL}/t_{PLH}$	propagation delay $\bar{A}_n$ to $\bar{G}$		31	54		68		81	ns	4.5	sum	M = $S_1 = S_2 = 0$ V; $S_0 = S_3 = 4.5$ V; Fig.7; Table 1
$t_{PHL}/t_{PLH}$	propagation delay $\bar{B}_n$ to $\bar{G}$		32	54		68		81	ns	4.5	sum	M = $S_1 = S_2 = 0$ V; $S_0 = S_3 = 4.5$ V; Fig.7; Table 1
$t_{PHL}/t_{PLH}$	propagation delay $\bar{A}_n$ to $\bar{G}$		31	54		68		81	ns	4.5	diff	M = $S_0 = S_3 = 0$ V; $S_1 = S_2 = 4.5$ V; Fig.8; Table 2
$t_{PHL}/t_{PLH}$	propagation delay $\bar{B}_n$ to $\bar{G}$		31	54		68		81	ns	4.5	diff	M = $S_0 = S_3 = 0$ V; $S_1 = S_2 = 4.5$ V; Fig.8; Table 2
$t_{PHL}/t_{PLH}$	propagation delay $\bar{A}_n$ to $\bar{P}$		23	41		51		62	ns	4.5	sum	M = $S_1 = S_2 = 0$ V; $S_0 = S_3 = 4.5$ V; Fig.7; Table 1
$t_{PHL}/t_{PLH}$	propagation delay $\bar{B}_n$ to $\bar{P}$		24	41		51		62	ns	4.5	sum	M = $S_1 = S_2 = 0$ V; $S_0 = S_3 = 4.5$ V; Fig.7; Table 1
$t_{PHL}/t_{PLH}$	propagation delay $\bar{A}_n$ to $\bar{P}$		23	40		50		60	ns	4.5	diff	M = $S_0 = S_3 = 0$ V; $S_1 = S_2 = 4.5$ V; Fig.8; Table 2
$t_{PHL}/t_{PLH}$	propagation delay $\bar{B}_n$ to $\bar{P}$		23	40		50		60	ns	4.5	diff	M = $S_0 = S_3 = 0$ V; $S_1 = S_2 = 4.5$ V; Fig.8; Table 2
$t_{PHL}/t_{PLH}$	propagation delay $\bar{A}_i$ to $\bar{F}_i$		33	58		73		87	ns	4.5	sum	M = $S_1 = S_2 = 0$ V; $S_0 = S_3 = 4.5$ V; Fig.7; Table 1
$t_{PHL}/t_{PLH}$	propagation delay $\bar{B}_i$ to $\bar{F}_i$		34	58		73		87	ns	4.5	sum	M = $S_1 = S_2 = 0$ V; $S_0 = S_3 = 4.5$ V; Fig.7; Table 1

## 4-bit arithmetic logic unit

## 74HC/HCT181

SYMBOL	PARAMETER	$T_{amb}$ (°C)							UNIT	TEST CONDITIONS		
		74HCT								$V_{CC}$ (V)	MODE	OTHER
		+25			-40 to +85		-40 to +125					
		min.	typ.	max.	min.	max.	min.	max.				
$t_{PHL}/t_{PLH}$	propagation delay $\bar{A}_i$ to $\bar{F}_i$		33	57		71		86	ns	4.5	diff	$M = S_0 = S_3 = 0 V$ ; $S_1 = S_2 = 4.5 V$ ; Fig.8; Table 2
$t_{PHL}/t_{PLH}$	propagation delay $\bar{B}_i$ to $\bar{F}_i$		33	57		71		86	ns	4.5	diff	$M = S_0 = S_3 = 0 V$ ; $S_1 = S_2 = 4.5 V$ ; Fig.8; Table 2
$t_{PHL}/t_{PLH}$	propagation delay $\bar{A}_i$ to $\bar{F}_i$		29	54		68		81	ns	4.5	logic	$M = 4.5 V$ ; Fig.8; Table 3
$t_{PHL}/t_{PLH}$	propagation delay $\bar{B}_i$ to $\bar{F}_i$		33	54		68		81	ns	4.5	logic	$M = 4.5 V$ ; Fig.8; Table 3
$t_{PHL}/t_{PLH}$	propagation delay $\bar{A}_n$ to $C_{n+4}$		30	53		66		80	ns	4.5	sum	$M = S_1 = S_2 = 0 V$ ; $S_0 = S_3 = 4.5 V$ ; Fig.8; Table 1
$t_{PHL}/t_{PLH}$	propagation delay $\bar{B}_n$ to $C_{n+4}$		31	53		66		80	ns	4.5	sum	$M = S_1 = S_2 = 0 V$ ; $S_0 = S_3 = 4.5 V$ ; Fig.8; Table 1
$t_{PHL}/t_{PLH}$	propagation delay $\bar{A}_n$ to $C_{n+4}$		30	55		69		83	ns	4.5	diff	$M = S_0 = S_3 = 0 V$ ; $S_1 = S_2 = 4.5 V$ ; Fig.10; Table 2
$t_{PHL}/t_{PLH}$	propagation delay $\bar{B}_n$ to $C_{n+4}$		34	55		69		83	ns	4.5	diff	$M = S_0 = S_3 = 0 V$ ; $S_1 = S_2 = 4.5 V$ ; Fig.10; Table 2
$t_{PZL}/t_{PLZ}$	propagation delay $\bar{A}_n$ to $A=B$		34	60		75		90	ns	4.5	diff	$M = S_0 = S_3 = 0 V$ ; $S_1 = S_2 = 4.5 V$ ; Fig.11; Table 2
$t_{PZL}/t_{PLZ}$	propagation delay $\bar{B}_n$ to $A=B$		35	60		75		90	ns	4.5	diff	$M = S_0 = S_3 = 0 V$ ; $S_1 = S_2 = 4.5 V$ ; Fig.11; Table 2
$t_{PHL}/t_{PLH}$	propagation delay $\bar{A}_n$ to $\bar{F}_n$		33	56		70		84	ns	4.5	sum	$M = S_1 = S_2 = 0 V$ ; $S_0 = S_3 = 4.5 V$ ; Fig.7; Table 1
$t_{PHL}/t_{PLH}$	propagation delay $\bar{B}_n$ to $\bar{F}_n$		33	56		70		84	ns	4.5	sum	$M = S_1 = S_2 = 0 V$ ; $S_0 = S_3 = 4.5 V$ ; Fig.7; Table 1

## 4-bit arithmetic logic unit

## 74HC/HCT181

SYMBOL	PARAMETER	T <sub>amb</sub> (°C)								UNIT	TEST CONDITIONS		
		74HCT									V <sub>CC</sub> (V)	MODE	OTHER
		+25			-40 to +85		-40 to +125						
		min.	typ.	max.	min.	max.	min.	max.					
t <sub>PHL</sub> / t <sub>PLH</sub>	propagation delay $\bar{A}_n$ to $\bar{F}_n$		32	56		70		84	ns	4.5	diff	M = S <sub>0</sub> = S <sub>3</sub> = 0 V; S <sub>1</sub> = S <sub>2</sub> = 4.5 V; Fig.8; Table 2	
t <sub>PHL</sub> / t <sub>PLH</sub>	propagation delay $\bar{A}_n$ to $\bar{F}_n$		33	56		70		84	ns	4.5	diff	M = S <sub>0</sub> = S <sub>3</sub> = 0 V; S <sub>1</sub> = S <sub>2</sub> = 4.5 V; Fig.8; Table 2	
t <sub>THL</sub> / t <sub>TLH</sub>	output transition time		7	15		19		22	ns	4.5		Figs 7 and 11; note 1	

**Note to the AC characteristics**

- For the open drain output (A=B) only t<sub>THL</sub> is valid.


  
 电子產品世界  
 .com.cn

4-bit arithmetic logic unit

74HC/HCT181

AC WAVEFORMS

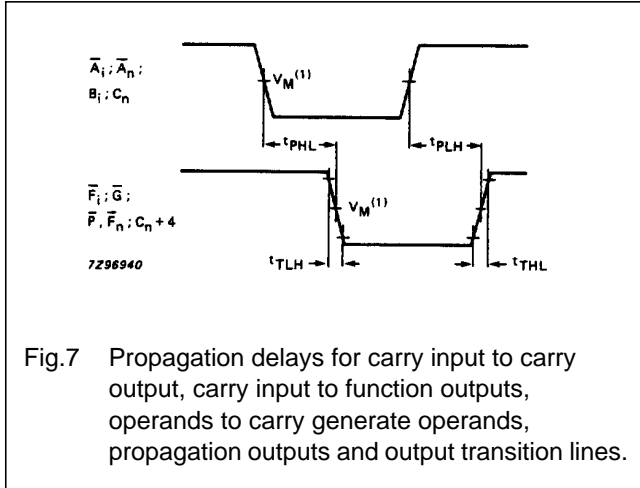


Fig.7 Propagation delays for carry input to carry output, carry input to function outputs, operands to carry generate operands, propagate outputs and function outputs.

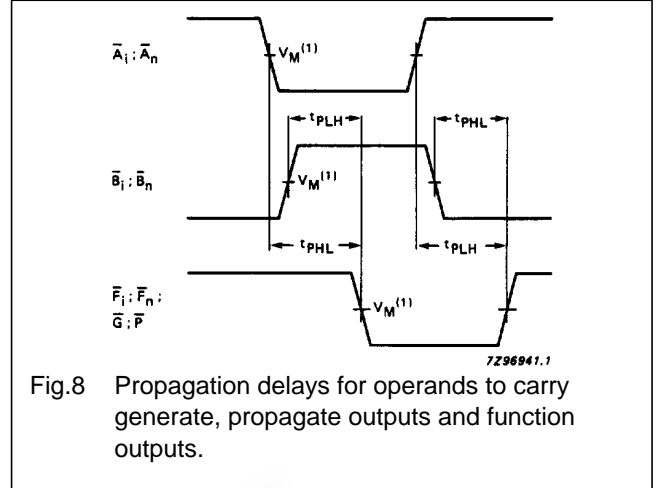


Fig.8 Propagation delays for operands to carry generate, propagate outputs and function outputs.

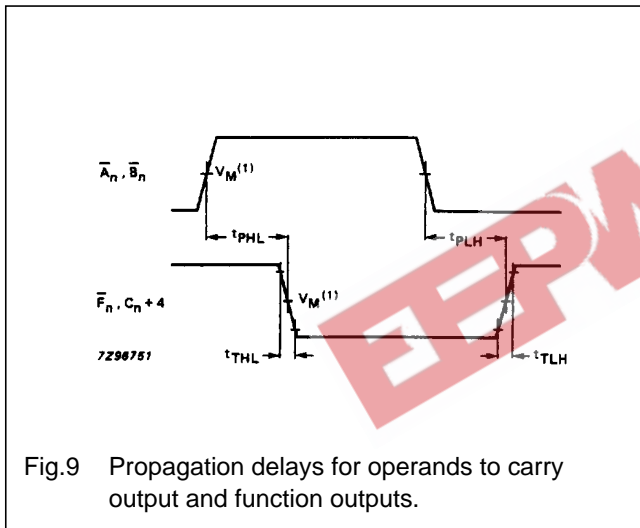


Fig.9 Propagation delays for operands to carry output and function outputs.

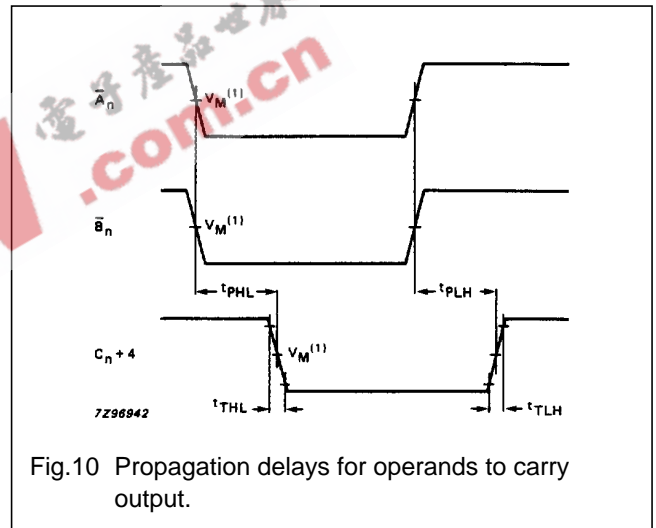


Fig.10 Propagation delays for operands to carry output.

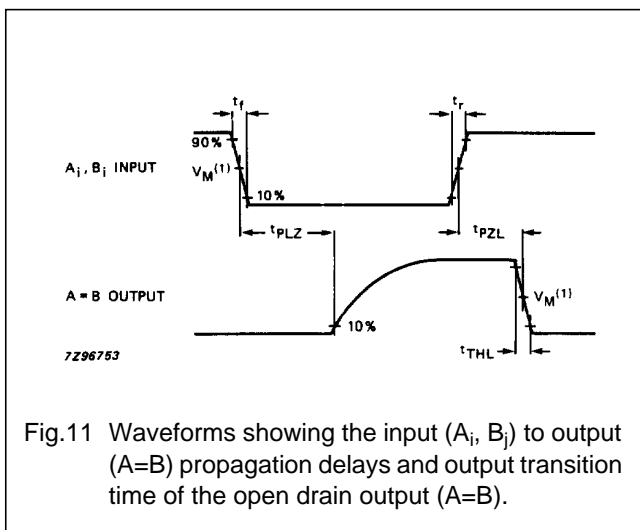
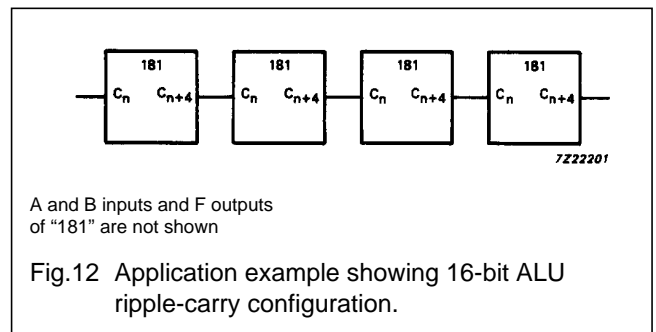


Fig.11 Waveforms showing the input ( $A_i, B_i$ ) to output ( $A=B$ ) propagation delays and output transition time of the open drain output ( $A=B$ ).

Note to AC waveforms

- (1) HC:  $V_M = 50\%$ ;  $V_I = \text{GND to } V_{CC}$ .
- HCT:  $V_M = 1.3 \text{ V}$ ;  $V_I = \text{GND to } 3 \text{ V}$ .

APPLICATION INFORMATION



A and B inputs and F outputs of "181" are not shown

Fig.12 Application example showing 16-bit ALU ripple-carry configuration.

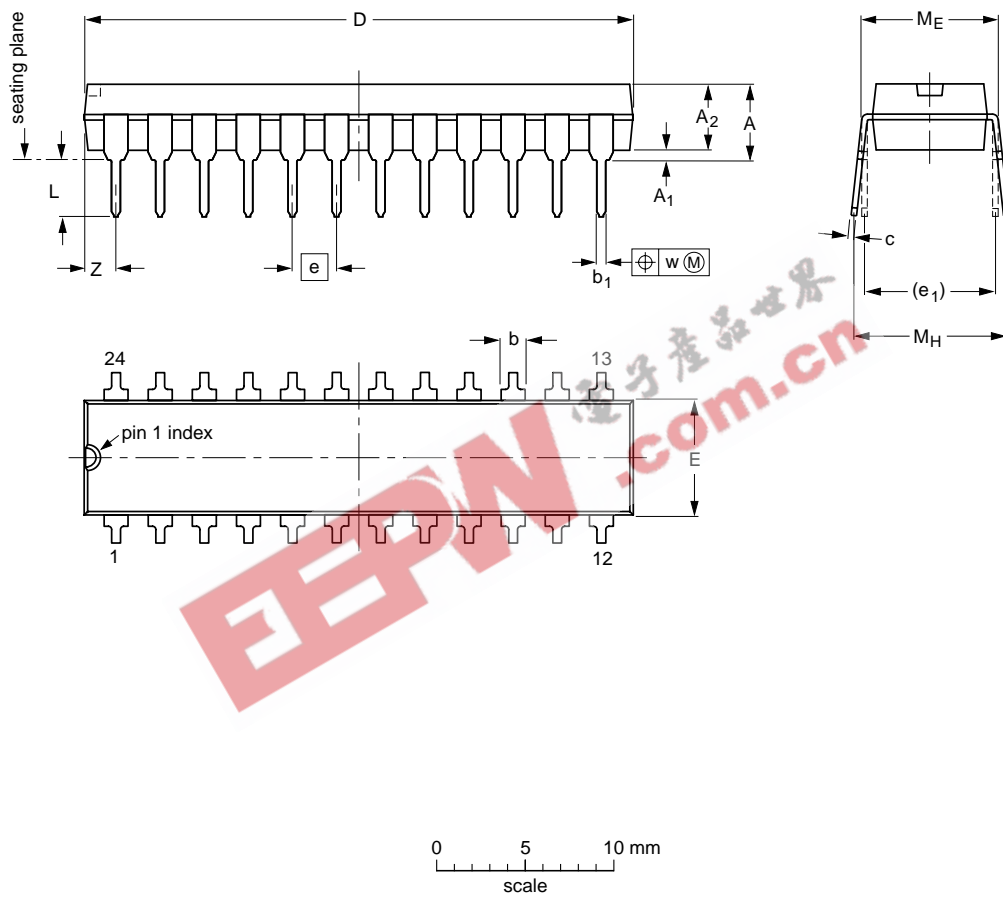
4-bit arithmetic logic unit

74HC/HCT181

PACKAGE OUTLINES

DIP24: plastic dual in-line package; 24 leads (300 mil)

SOT222-1



DIMENSIONS (millimetre dimensions are derived from the original inch dimensions)

UNIT	A max.	A <sub>1</sub> min.	A <sub>2</sub> max.	b	b <sub>1</sub>	c	D <sup>(1)</sup>	E <sup>(1)</sup>	e	e <sub>1</sub>	L	M <sub>E</sub>	M <sub>H</sub>	w	Z <sup>(1)</sup> max.
mm	4.70	0.38	3.94	1.63 1.14	0.56 0.43	0.36 0.25	31.9 31.5	6.73 6.48	2.54	7.62	3.51 3.05	8.13 7.62	10.03 7.62	0.25	2.05
inches	0.185	0.015	0.155	0.064 0.045	0.022 0.017	0.014 0.010	1.256 1.240	0.265 0.255	0.100	0.300	0.138 0.120	0.32 0.30	0.395 0.300	0.01	0.081

Note

1. Plastic or metal protrusions of 0.01 inches maximum per side are not included.

OUTLINE VERSION	REFERENCES				EUROPEAN PROJECTION	ISSUE DATE
	IEC	JEDEC	EIAJ			
SOT222-1		MS-001AF				95-03-11

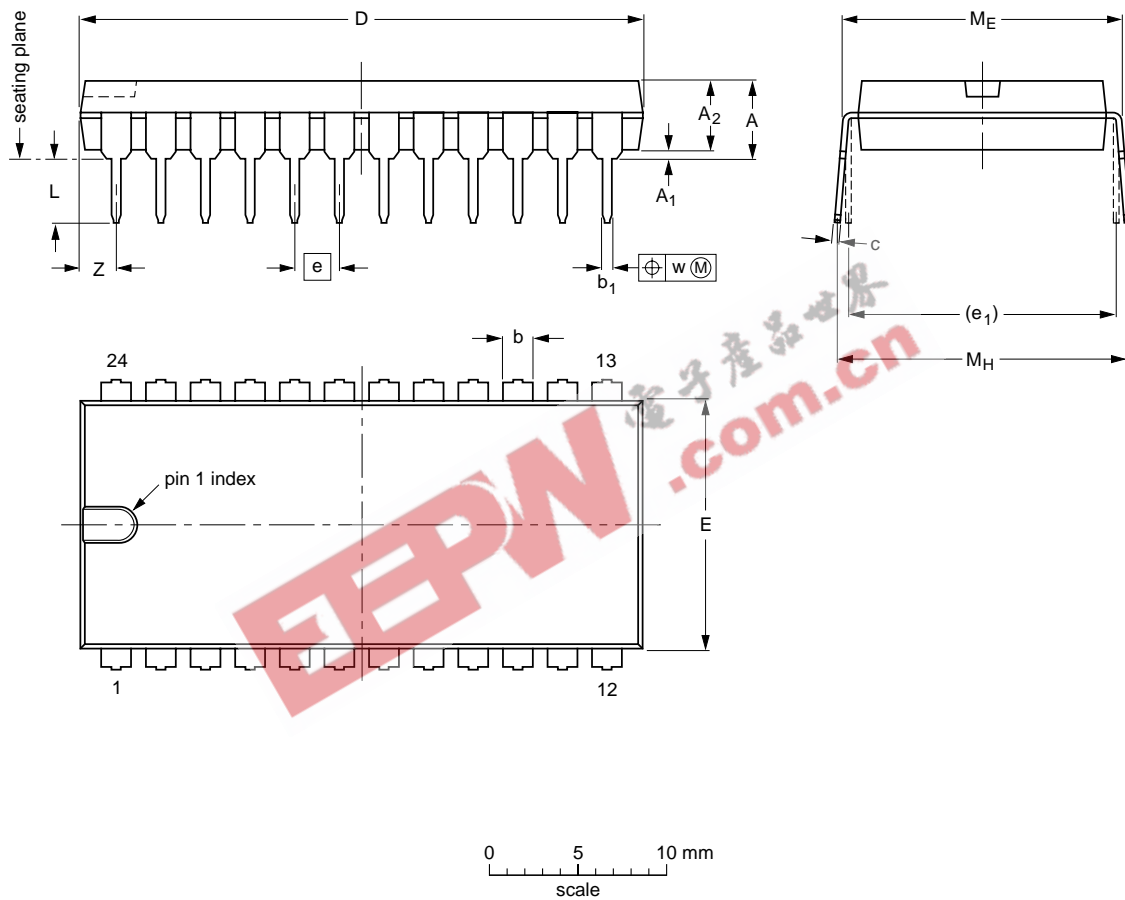


4-bit arithmetic logic unit

74HC/HCT181

DIP24: plastic dual in-line package; 24 leads (600 mil)

SOT101-1



DIMENSIONS (inch dimensions are derived from the original mm dimensions)

UNIT	A max.	A <sub>1</sub> min.	A <sub>2</sub> max.	b	b <sub>1</sub>	c	D <sup>(1)</sup>	E <sup>(1)</sup>	e	e <sub>1</sub>	L	M <sub>E</sub>	M <sub>H</sub>	w	Z <sup>(1)</sup> max.
mm	5.1	0.51	4.0	1.7 1.3	0.53 0.38	0.32 0.23	32.0 31.4	14.1 13.7	2.54	15.24	3.9 3.4	15.80 15.24	17.15 15.90	0.25	2.2
inches	0.20	0.020	0.16	0.066 0.051	0.021 0.015	0.013 0.009	1.26 1.24	0.56 0.54	0.10	0.60	0.15 0.13	0.62 0.60	0.68 0.63	0.01	0.087

Note

1. Plastic or metal protrusions of 0.25 mm maximum per side are not included.

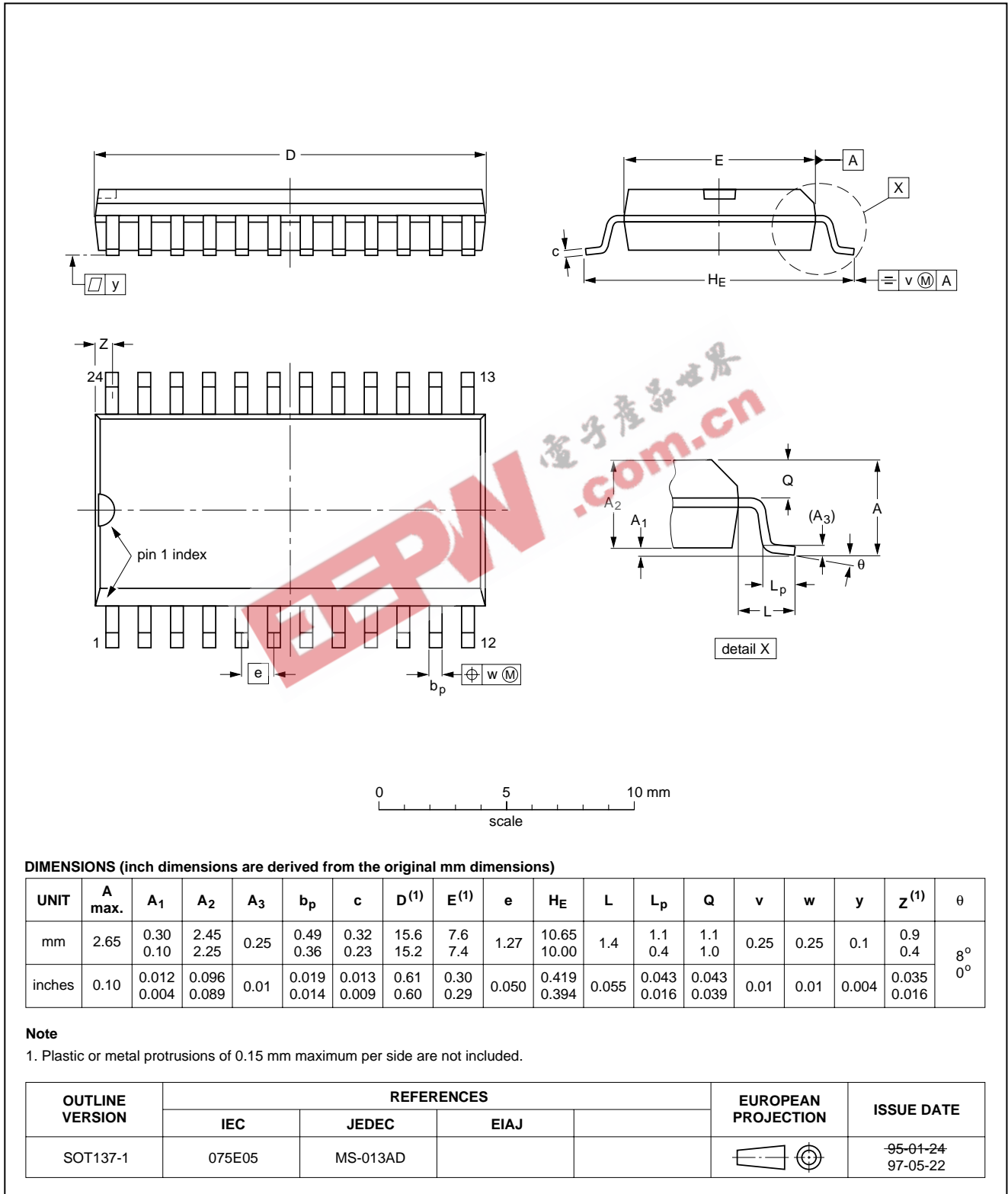
OUTLINE VERSION	REFERENCES				EUROPEAN PROJECTION	ISSUE DATE
	IEC	JEDEC	EIAJ			
SOT101-1	051G02	MO-015AD				92-11-17 95-01-23

4-bit arithmetic logic unit

74HC/HCT181

SO24: plastic small outline package; 24 leads; body width 7.5 mm

SOT137-1



## 4-bit arithmetic logic unit

## 74HC/HCT181

**SOLDERING****Introduction**

There is no soldering method that is ideal for all IC packages. Wave soldering is often preferred when through-hole and surface mounted components are mixed on one printed-circuit board. However, wave soldering is not always suitable for surface mounted ICs, or for printed-circuits with high population densities. In these situations reflow soldering is often used.

This text gives a very brief insight to a complex technology. A more in-depth account of soldering ICs can be found in our "Data Handbook IC26; Integrated Circuit Packages" (order code 9398 652 90011).

**DIP****SOLDERING BY DIPPING OR BY WAVE**

The maximum permissible temperature of the solder is 260 °C; solder at this temperature must not be in contact with the joint for more than 5 seconds. The total contact time of successive solder waves must not exceed 5 seconds.

The device may be mounted up to the seating plane, but the temperature of the plastic body must not exceed the specified maximum storage temperature ( $T_{stg\ max}$ ). If the printed-circuit board has been pre-heated, forced cooling may be necessary immediately after soldering to keep the temperature within the permissible limit.

**REPAIRING SOLDERED JOINTS**

Apply a low voltage soldering iron (less than 24 V) to the lead(s) of the package, below the seating plane or not more than 2 mm above it. If the temperature of the soldering iron bit is less than 300 °C it may remain in contact for up to 10 seconds. If the bit temperature is between 300 and 400 °C, contact may be up to 5 seconds.

**SO****REFLOW SOLDERING**

Reflow soldering techniques are suitable for all SO packages.

Reflow soldering requires solder paste (a suspension of fine solder particles, flux and binding agent) to be applied to the printed-circuit board by screen printing, stencilling or pressure-syringe dispensing before package placement.

Several techniques exist for reflowing; for example, thermal conduction by heated belt. Dwell times vary between 50 and 300 seconds depending on heating method. Typical reflow temperatures range from 215 to 250 °C.

Preheating is necessary to dry the paste and evaporate the binding agent. Preheating duration: 45 minutes at 45 °C.

**WAVE SOLDERING**

Wave soldering techniques can be used for all SO packages if the following conditions are observed:

- A double-wave (a turbulent wave with high upward pressure followed by a smooth laminar wave) soldering technique should be used.
- The longitudinal axis of the package footprint must be parallel to the solder flow.
- The package footprint must incorporate solder thieves at the downstream end.

During placement and before soldering, the package must be fixed with a droplet of adhesive. The adhesive can be applied by screen printing, pin transfer or syringe dispensing. The package can be soldered after the adhesive is cured.

Maximum permissible solder temperature is 260 °C, and maximum duration of package immersion in solder is 10 seconds, if cooled to less than 150 °C within 6 seconds. Typical dwell time is 4 seconds at 250 °C.

A mildly-activated flux will eliminate the need for removal of corrosive residues in most applications.

**REPAIRING SOLDERED JOINTS**

Fix the component by first soldering two diagonally-opposite end leads. Use only a low voltage soldering iron (less than 24 V) applied to the flat part of the lead. Contact time must be limited to 10 seconds at up to 300 °C. When using a dedicated tool, all other leads can be soldered in one operation within 2 to 5 seconds between 270 and 320 °C.

## 4-bit arithmetic logic unit

74HC/HCT181

**DEFINITIONS**

<b>Data sheet status</b>	
Objective specification	This data sheet contains target or goal specifications for product development.
Preliminary specification	This data sheet contains preliminary data; supplementary data may be published later.
Product specification	This data sheet contains final product specifications.
<b>Limiting values</b>	
Limiting values given are in accordance with the Absolute Maximum Rating System (IEC 134). Stress above one or more of the limiting values may cause permanent damage to the device. These are stress ratings only and operation of the device at these or at any other conditions above those given in the Characteristics sections of the specification is not implied. Exposure to limiting values for extended periods may affect device reliability.	
<b>Application information</b>	
Where application information is given, it is advisory and does not form part of the specification.	

**LIFE SUPPORT APPLICATIONS**

These products are not designed for use in life support appliances, devices, or systems where malfunction of these products can reasonably be expected to result in personal injury. Philips customers using or selling these products for use in such applications do so at their own risk and agree to fully indemnify Philips for any damages resulting from such improper use or sale.

EEPW.com.cn