

DUAL 4-BIT BINARY RIPPLE COUNTER

FEATURES

- Two 4-bit binary counters with individual clocks
- Divide-by any binary module up to 28 in one package
- Two master resets to clear each 4-bit counter individually
- Output capability: standard
- I_{CC} category: MSI

GENERAL DESCRIPTION

The 74HC/HCT393 are high-speed Si-gate CMOS devices and are pin compatible with low power Schottky TTL (LSTTL). They are specified in compliance with JEDEC standard no. 7A.

The 74HC/HCT393 are 4-bit binary ripple counters with separate clocks (1CP and 2CP) and master reset (1MR and 2MR) inputs to each counter. The operation of each half of the "393" is the same as the "93" except no external clock connections are required. The counters are triggered by a HIGH-to-LOW transition of the clock inputs. The counter outputs are internally connected to provide clock inputs to succeeding stages. The outputs of the ripple counter do not change synchronously and should not be used for high-speed address decoding.

The master resets are active-HIGH asynchronous inputs to each 4-bit counter identified by the "1" and "2" in the pin description.

A HIGH level on the nMR input overrides the clock and sets the outputs LOW.

SYMBOL	PARAMETER	CONDITIONS	TYPICAL		UNIT
			HC	HCT	
t _{PHL} / t _{PLH}	propagation delay nCP to nQ ₀ nQ to nQ _{n+1} nMR to nQ _n	C _L = 15 pF V _{CC} = 5 V	12	20	ns
			5	6	ns
			11	15	ns
f _{max}	maximum clock frequency		99	53	MHz
C _I	input capacitance		3.5	3.5	pF
C _{PD}	power dissipation capacitance per counter	notes 1 and 2	23	25	pF

GND = 0 V; T_{amb} = 25 °C; t_r = t_f = 6 ns

Notes

1. C_{PD} is used to determine the dynamic power dissipation (P_D in μW):

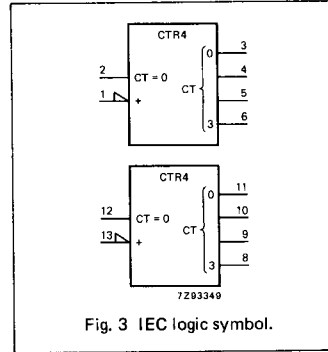
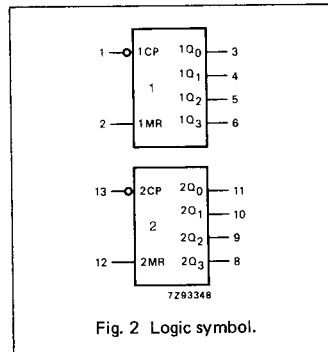
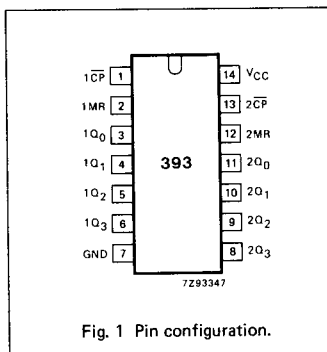
$$P_D = C_{PD} \times V_{CC}^2 \times f_i + \sum (C_L \times V_{CC}^2 \times f_o)$$
 where:
 f_i = input frequency in MHz
 f_o = output frequency in MHz
 $\sum (C_L \times V_{CC}^2 \times f_o)$ = sum of outputs
 C_L = output load capacitance in pF
 V_{CC} = supply voltage in V
2. For HC the condition is V_I = GND to V_{CC}
 For HCT the condition is V_I = GND to V_{CC} - 1.5 V

PACKAGE OUTLINES

- 14-lead DIL; plastic (SOT27).
- 14-lead mini-pack; plastic (SO14; SOT108A).

PIN DESCRIPTION

PIN NO.	SYMBOL	NAME AND FUNCTION
1, 13	1CP, 2CP	clock inputs (HIGH-to-LOW, edge-triggered)
2, 12	1MR, 2MR	asynchronous master reset inputs (active HIGH)
3, 4, 5, 6, 11, 10, 9, 8	1Q ₀ to 1Q ₃ , 2Q ₀ to 2Q ₃	flip-flop outputs
7	GND	ground (0 V)
14	V _{CC}	positive supply voltage



74HC/HCT393
MSI

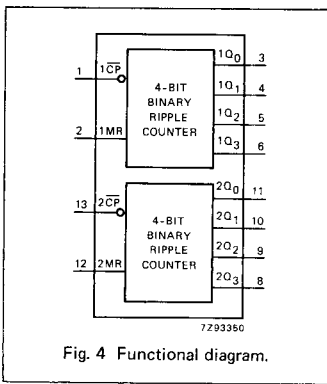


Fig. 4 Functional diagram.

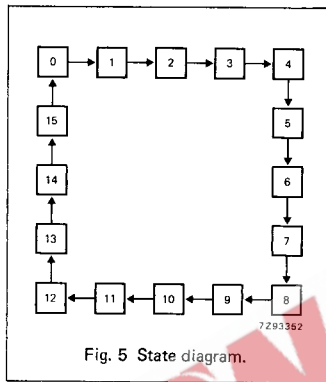


Fig. 5 State diagram.

COUNT SEQUENCE FOR 1 COUNTER

COUNT	OUTPUTS			
	Q ₀	Q ₁	Q ₂	Q ₃
0	L	L	L	L
1	H	L	L	L
2	L	H	L	L
3	H	H	L	L
4	L	L	H	L
5	H	L	H	L
6	L	H	H	L
7	H	H	H	L
8	L	L	L	H
9	H	L	L	H
10	L	H	L	H
11	H	H	L	H
12	L	L	H	H
13	H	L	H	H
14	L	H	H	H
15	H	H	H	H

H = HIGH voltage level
L = LOW voltage level

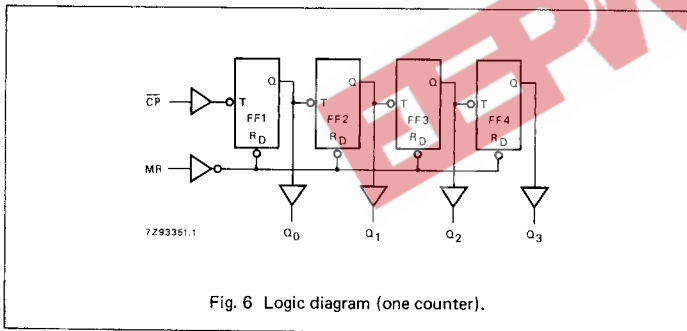


Fig. 6 Logic diagram (one counter).

DC CHARACTERISTICS FOR 74HC

For the DC characteristics see chapter "HCMOS family characteristics", section "Family specifications".

Output capability: standard
I_{CC} category: MSI**AC CHARACTERISTICS FOR 74HC**GND = 0 V; t_r = t_f = 6 ns; C_L = 50 pF

SYMBOL	PARAMETER	T _{amb} (°C)						UNIT	TEST CONDITIONS	
		74HC							V _{CC} V	WAVEFORMS
		+25			-40 to +85		-40 to +125			
		min.	typ.	max.	min.	max.	min.		max.	
t _{PHL} / t _{PLH}	propagation delay nCP to nQ ₀		41 15 12	125 25 21		155 31 26	190 38 32	ns	2.0 4.5 6.0	Fig. 7
t _{PHL} / t _{PLH}	propagation delay nQ _n to nQ _{n+1}		14 5 4	45 9 8		55 11 9	70 14 12	ns	2.0 4.5 6.0	Fig. 7
t _{PHL}	propagation delay nMR to nQ _n		39 14 11	140 28 24		175 35 30	210 42 36	ns	2.0 4.5 6.0	Fig. 8
t _{THL} / t _{TLH}	output transition time		19 7 6	75 15 13		95 19 16	110 22 19	ns	2.0 4.5 6.0	Fig. 7
t _W	clock pulse width HIGH or LOW	80 16 14	17 6 5		100 20 17		120 24 20	ns	2.0 4.5 6.0	Fig. 7
t _W	master reset pulse width; HIGH	80 16 14	19 7 6		100 20 17		120 24 20	ns	2.0 4.5 6.0	Fig. 8
t _{rem}	removal time nMR to nCP	5 5 5	3 1 1		5 5 5		5 5 5	ns	2.0 4.5 6.0	Fig. 8
f _{max}	maximum clock pulse frequency	6 30 35	30 90 107		5 24 28		4 20 24	MHz	2.0 4.5 6.0	Fig. 7

74HC/HCT393
MSI

DC CHARACTERISTICS FOR 74HCT

For the DC characteristics see chapter "HCMOS family characteristics", section "Family specifications".

Output capability: standard

I_{CC} category: MSI

Note to HCT types

The value of additional quiescent supply current (ΔI_{CC}) for a unit load of 1 is given in the family specifications. To determine ΔI_{CC} per input, multiply this value by the unit load coefficient shown in the table below.

INPUT	UNIT LOAD COEFFICIENT
1CP	0.4
2CP	0.4
1MR	1.0
2MR	1.0

AC CHARACTERISTICS FOR 74HCT

GND = 0 V; $t_r = t_f = 6$ ns; $C_L = 50$ pF

SYMBOL	PARAMETER	T _{amb} (°C)						UNIT	TEST CONDITIONS		
		74HCT							V _{CC} V	WAVEFORMS	
		+25			-40 to +85		-40 to +125				
		min.	typ.	max.	min.	max.	min.				max.
t _{PHL} / t _{PLH}	propagation delay nCP to nQ ₀		15	25		31		38	ns	4.5	Fig. 7
t _{PHL} / t _{PLH}	propagation delay nQ _n to nQ _{n+1}		6	10		13		15	ns	4.5	Fig. 7
t _{PHL}	propagation delay nMR to nQ _n		18	32		40		48	ns	4.5	Fig. 8
t _{THL} / t _{TLH}	output transition time		7	15		19		22	ns	4.5	Fig. 7
t _W	clock pulse width HIGH or LOW	19	11		24		29		ns	4.5	Fig. 7
t _W	master reset pulse width; HIGH	16	6		20		24		ns	4.5	Fig. 8
t _{rem}	removal time nMR to nCP	5	0		5		5		ns	4.5	Fig. 8
f _{max}	maximum clock pulse frequency	27	48		22		18		MHz	4.5	Fig. 7

AC WAVEFORMS

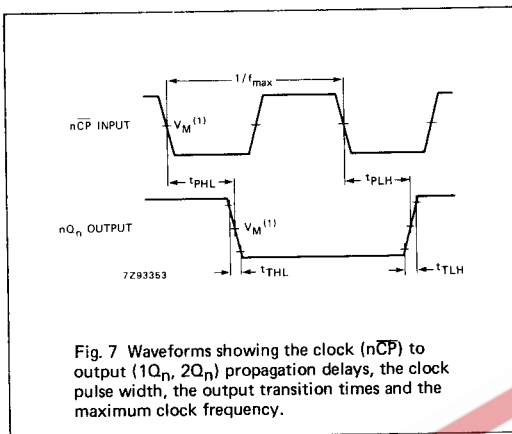


Fig. 7 Waveforms showing the clock (\overline{nCP}) to output ($1Q_n, 2Q_n$) propagation delays, the clock pulse width, the output transition times and the maximum clock frequency.

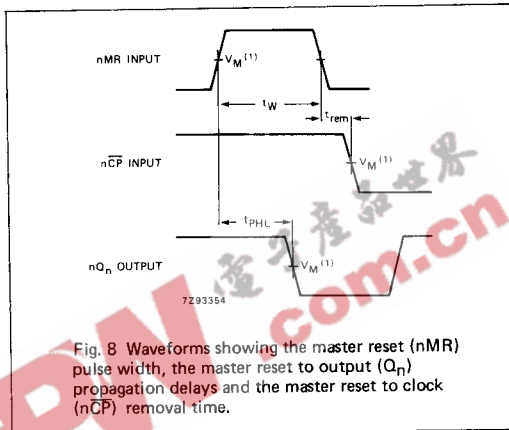


Fig. 8 Waveforms showing the master reset (\overline{nMR}) pulse width, the master reset to output (Q_n) propagation delays and the master reset to clock (\overline{nCP}) removal time.

Note to AC waveforms

(1) HC : $V_M = 50\%$; $V_I = \text{GND to } V_{CC}$.
HCT: $V_M = 1.3\text{V}$; $V_I = \text{GND to } 3\text{V}$.