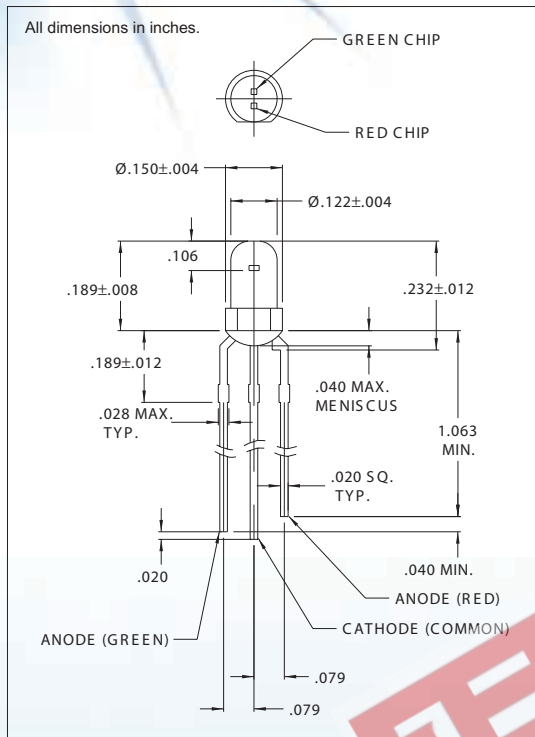


WORLDWIDE



4361L1/5 Series Red/Green Bi-Color

DESCRIPTION AND FEATURES



- Dual chip
- Uniformity of output color
- Wide viewing angle
- White diffused



ELECTRO-OPTICAL CHARACTERISTICS AND RATINGS

PART NUMBER	4361L1/5
Output Color	Red/Green
Diffusion	Diffused
Package Color	White
Viewing Angle (degrees)	60/70
Luminous Intensity Min. (mcd)	4/6
Luminous Intensity Max. (mcd)	8/12
Rated Current (mA)	20
Forward Voltage Typ. (Vf)	2.0/2.1



America:
CML Innovative Technologies, Inc.
147 Central Avenue
Hackensack -NJ 07601 -USA
Tel:1-201-489 -8989
Fax:1-201-489 -6911
e-mail:americas@cml-it.com

Europe:
CML Technologies GmbH &Co.KG
Robert-Bunsen-Str.1
67098 Bad Dürkheim -GERMANY
Tel:+49 (0)6322 9567-0
Fax:+49 (0)6322 9567-88
e-mail:europe@cml-it.com

Asia:
CML Innovative Technologies, Inc.
61 Aida Street
Singapore 459975
Tel:(65)9630 -5003
e-mail:asia@cml-it.com