

DM74LS169A Synchronous 4-Bit Up/Down Binary Counter

General Description

This synchronous presettable counter features an internal carry look-ahead for cascading in high-speed counting applications. Synchronous operation is provided by having all flip-flops clocked simultaneously, so that the outputs all change at the same time when so instructed by the count-enable inputs and internal gating. This mode of operation helps eliminate the output counting spikes that are normally associated with asynchronous (ripple clock) counters. A buffered clock input triggers the four master-slave flip-flops on the rising edge of the clock waveform.

This counter is fully programmable; that is, the outputs may each be preset either high or low. The load input circuitry allows loading with the carry-enable output of cascaded counters. As loading is synchronous, setting up a low level at the load input disables the counter and causes the outputs to agree with the data inputs after the next clock pulse.

The carry look-ahead circuitry permits cascading counters for n-bit synchronous applications without additional gating. Both count-enable inputs (\bar{P} and \bar{T}) must be low to count. The direction of the count is determined by the level of the up/down input. When the input is high, the counter counts up; when low, it counts down. Input \bar{T} is fed forward to enable

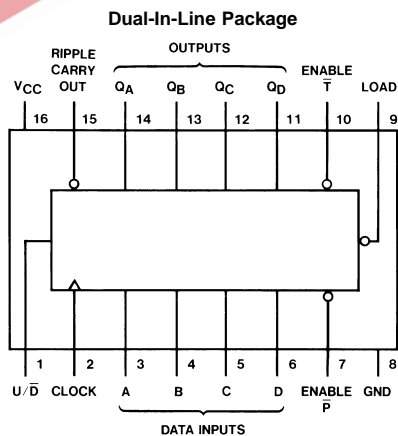
the carry outputs. The carry output thus enabled will produce a low-level output pulse with a duration approximately equal to the high portion of the Q_A output when counting up, and approximately equal to the low portion of the Q_A output when counting down. This low-level overflow carry pulse can be used to enable successively cascaded stages. Transitions at the enable \bar{P} or \bar{T} inputs are allowed regardless of the level of the clock input. All inputs are diode clamped to minimize transmission-line effects, thereby simplifying system design.

This counter features a fully independent clock circuit. Changes at control inputs (enable \bar{P} , enable \bar{T} , load, up/down), which modify the operating mode, have no effect until clocking occurs. The function of the counter (whether enabled, disabled, loading, or counting) will be dictated solely by the conditions meeting the stable setup and hold times.

Features

- Fully synchronous operation for counting and programming.
- Internal look-ahead for fast counting.
- Carry output for n-bit cascading.
- Fully independent clock circuit

Connection Diagram



Order Number 54LS169DMQB, 54LS169FMQB, 54LS169LMQB,
DM54LS169AJ, DM54LS169AW, DM74LS169AM or DM74LS169AN
See Package Number E20A, J16A, M16A, N16E or W16A

Absolute Maximum Ratings (Note 1)

Supply Voltage	7V	DM54LS and 54LS	-55°C to +125°C
Input Voltage	7V	DM74LS	0°C to +70°C
Operating Free Air Temperature Range		Storage Temperature Range	-65°C to +150°C

Recommended Operating Conditions

Symbol	Parameter	DM54LS169A			DM74LS169A			Units	
		Min	Nom	Max	Min	Nom	Max		
V _{CC}	Supply Voltage	4.5	5	5.5	4.75	5	5.25	V	
V _{IH}	High Level Input Voltage	2			2			V	
V _{IL}	Low Level Input Voltage			0.7			0.8	V	
I _{OH}	High Level Output Current			-0.4			-0.4	mA	
I _{OL}	Low Level Output Current			4			8	mA	
f _{CLK}	Clock Frequency (Note 2)	0		25	0		25	MHz	
	Clock Frequency (Note 3)	0		20	0		20	MHz	
t _w	Clock Pulse Width (Note 4)	25			25			ns	
t _{SU}	Setup Time (Note 4)	Data	20		20			ns	
		Enable \bar{T} or \bar{P}	20		20				
		Load	25			25			
		U/D	30			30			
t _H	Hold Time (Note 4)	0			0			ns	
T _A	Free Air Operating Temperature	-55		125	0		70	°C	

Note 1: The "Absolute Maximum Ratings" are those values beyond which the safety of the device cannot be guaranteed. The device should not be operated at these limits. The parametric values defined in the "Electrical Characteristics" table are not guaranteed at the absolute maximum ratings. The "Recommended Operating Conditions" table will define the conditions for actual device operation.

Note 2: C_L = 15 pF, R_L = 2 kΩ, T_A = 25°C and V_{CC} = 5V.

Note 3: C_L = 50 pF, R_L = 2 kΩ, T_A = 25°C and V_{CC} = 5V.

Note 4: T_A = 25°C and V_{CC} = 5V.

Electrical Characteristics

over recommended operating free air temperature range (unless otherwise noted)

Symbol	Parameter	Conditions	Min	Typ (Note 5)	Max	Units
V _I	Input Clamp Voltage	V _{CC} = Min, I _I = -18 mA			-1.5	V
V _{OH}	High Level Output Voltage	V _{CC} = Min, I _{OH} = Max	DM54 2.5	3.4		V
		V _{IL} = Max, V _{IH} = Min	DM74 2.7	3.4		
V _{OL}	Low Level Output Voltage	V _{CC} = Min, I _{OL} = Max	DM54	0.25	0.4	V
		V _{IL} = Max, V _{IH} = Min	DM74	0.35	0.5	
		I _{OL} = 4 mA, V _{CC} = Min	DM74	0.25	0.4	
I _I	Input Current @ Max Input Voltage	V _{CC} = Max V _I = 7V	Enable \bar{T}		0.2	mA
			Others		0.1	
I _{IH}	High Level Input Current	V _{CC} = Max V _I = 2.7V	Enable \bar{T}		40	μA
			Others		20	
I _{IL}	Low Level Input Current	V _{CC} = Max V _I = 0.4V	Enable \bar{T}		-0.8	mA
			Others		-0.4	
I _{OS}	Short Circuit Output Current	V _{CC} = Max (Note 6)	DM54	-20	-100	mA
			DM74	-20	-100	
I _{CC}	Supply Current	V _{CC} = Max (Note 7)		20	34	mA

Note 5: All typicals are at V_{CC} = 5V and T_A = 25°C.

Note 6: Not more than one output should be shorted at a time, and the duration should not exceed one second.

Note 7: I_{CC} is measured after a momentary 4.5V, then ground, is applied to the CLOCK with all other inputs grounded and all the outputs open.

Switching Characteristic

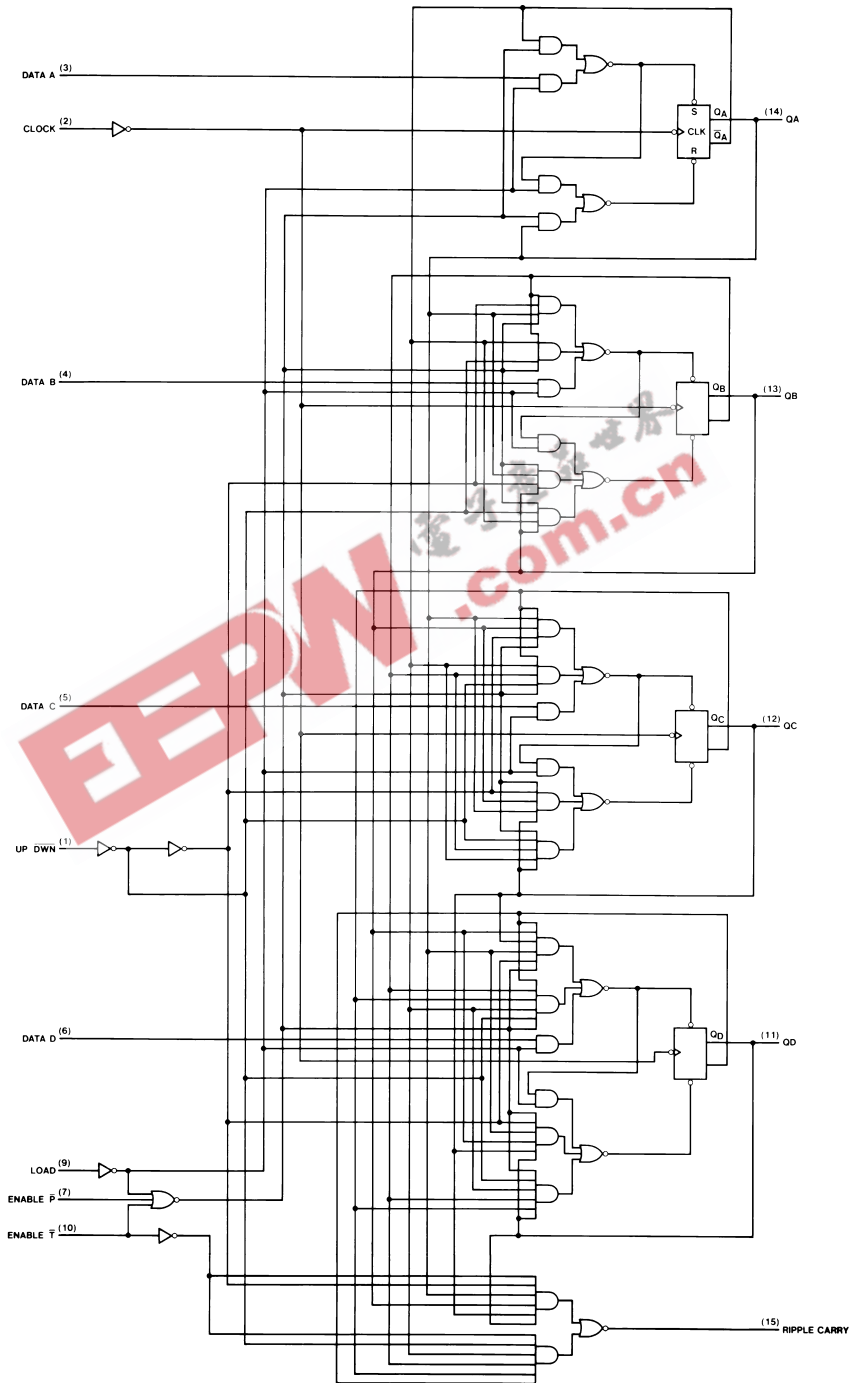
at $V_{CC} = 5V$ and $T_A = 25^\circ C$ (for Test Waveforms and Output Load)

Symbol	Parameter	From (Input) To (Output)	$R_L = 2\ k\Omega$				Units
			$C_L = 15\ pF$		$C_L = 50\ pF$		
			Min	Max	Min	Max	
f_{MAX}	Maximum Clock Frequency		25		20		MHz
t_{PLH}	Propagation Delay Time Low to High Level Output	Clock to Ripple Carry		35		39	ns
t_{PHL}	Propagation Delay Time High to Low Level Output	Clock to Ripple Carry		35		44	ns
t_{PLH}	Propagation Delay Time Low to High Level Output	Clock to Any Q		20		24	ns
t_{PHL}	Propagation Delay Time High to Low Level Output	Clock to Any Q		23		32	ns
t_{PLH}	Propagation Delay Time Low to High Level Output	Enable \bar{T} to Ripple Carry		18		24	ns
t_{PHL}	Propagation Delay Time High to Low Level Output	Enable \bar{T} to Ripple Carry		18		28	ns
t_{PLH}	Propagation Delay Time Low to High Level Output	Up/Down to Ripple Carry (Note 8)		25		30	ns
t_{PHL}	Propagation Delay Time High to Low Level Output	Up/Down to Ripple Carry (Note 8)		29		38	ns

Note 8: The propagation delay from UP/DOWN to RIPPLE CARRY must be measured with the counter at either a minimum or a maximum count. As the logic level of the up/down input is changed, the ripple carry output will follow. If the count is minimum, the ripple carry output transition will be in phase. If the count is maximum, the ripple carry output will be out of phase.

Logic Diagram

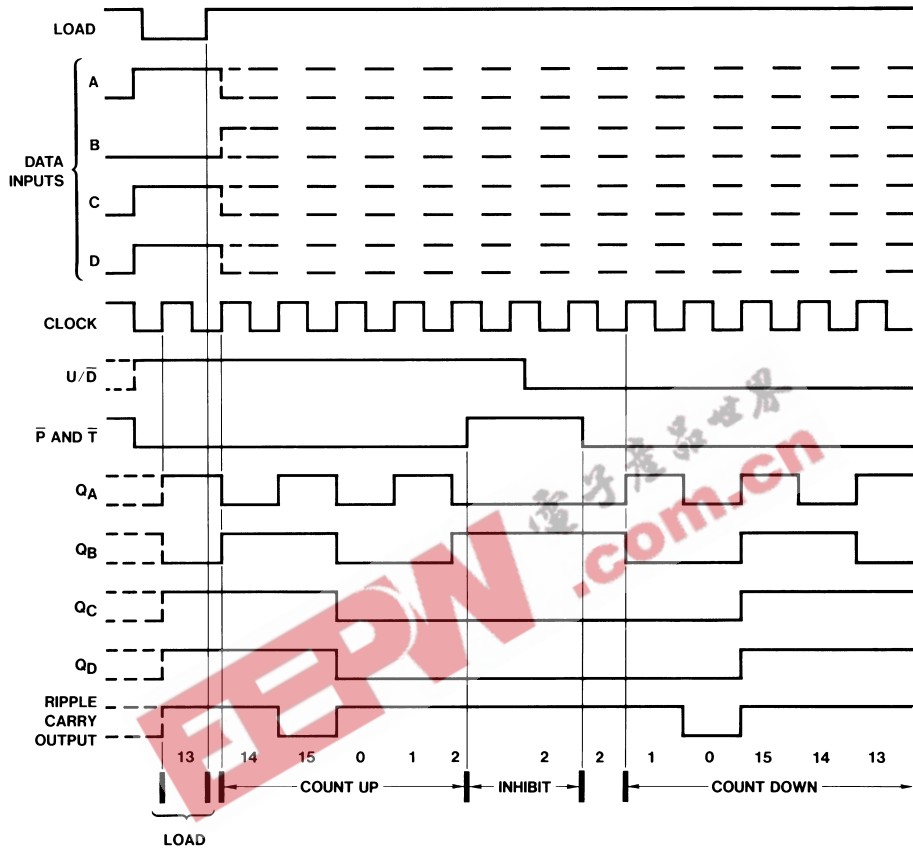
LS169A Binary Counter



DS006401-2

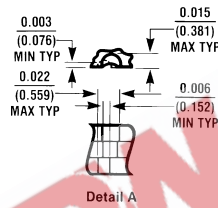
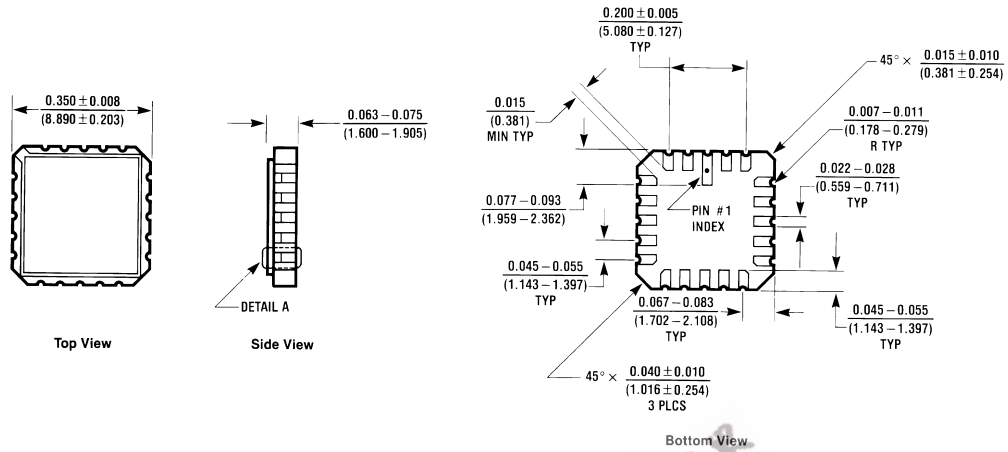
Timing Diagram

LS169A Binary Counters
Typical Load, Count, and Inhibit Sequences



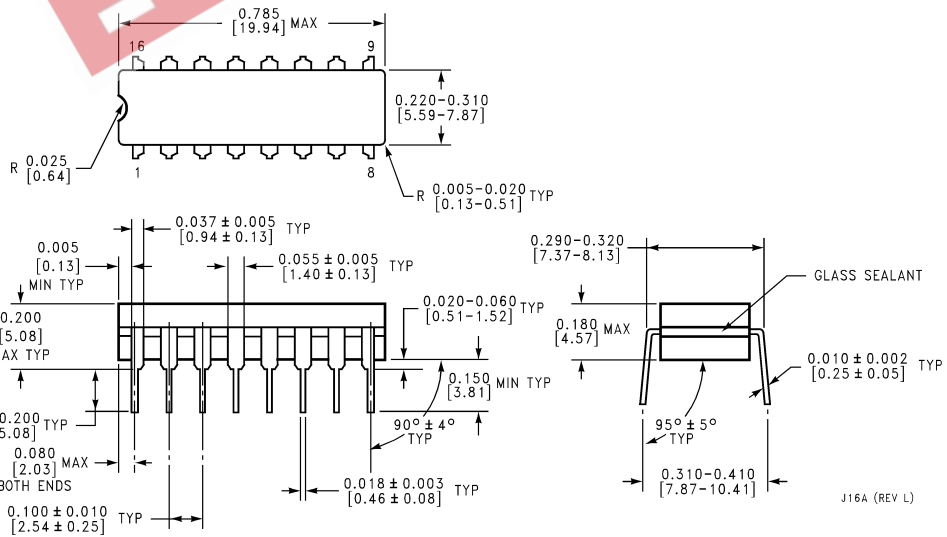
DS006401-3

Physical Dimensions inches (millimeters) unless otherwise noted



Ceramic Leadless Chip Carrier Package (E)
Order Number 54LS169MQB
Package Number E20A

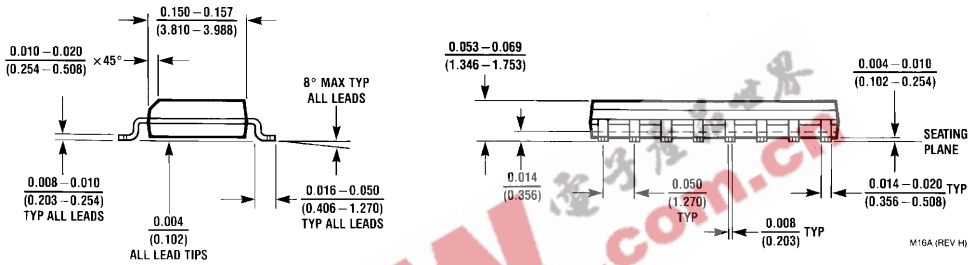
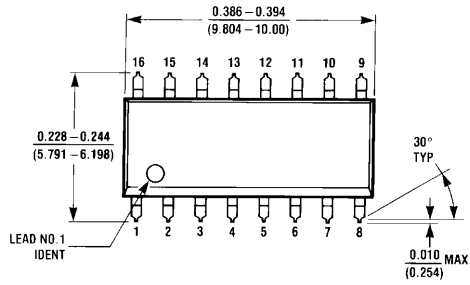
E20A (REV D)



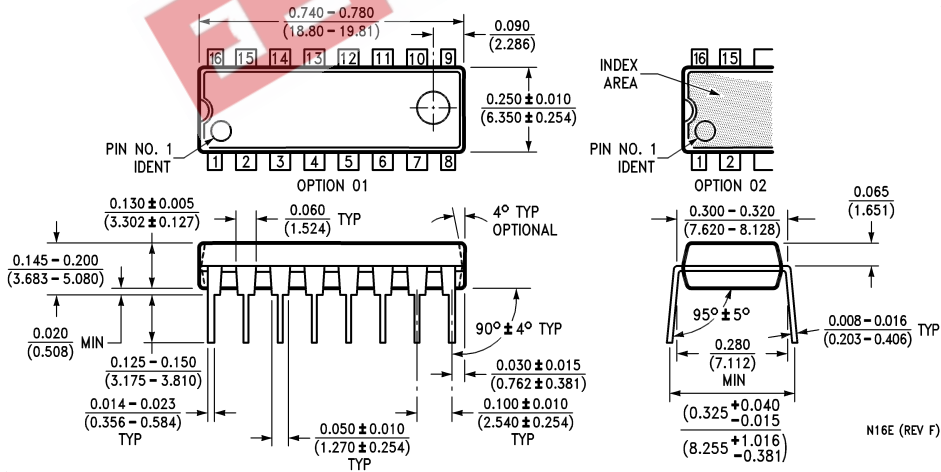
16-Lead Ceramic Dual-In-Line Package (J)
Order Number 54LS169MQB or DM54LS169AJ
Package Number J16A

J16A (REV L)

Physical Dimensions inches (millimeters) unless otherwise noted (Continued)

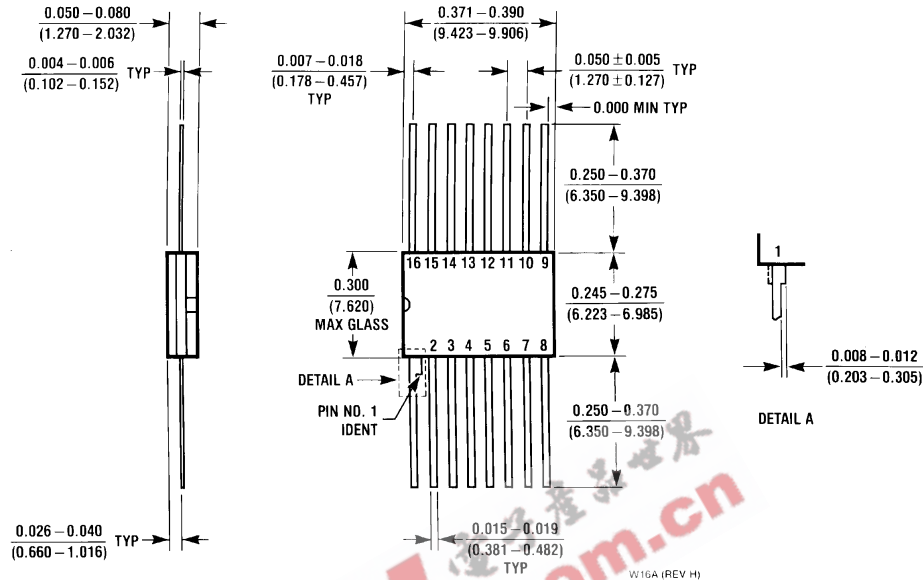


16-Lead Small Outline Molded Package (M)
 Order Number DM74LS169AM
 Package Number M16A



16-Lead Molded Dual-In-Line Package (N)
 Order Number DM74LS169AN
 Package Number N16E

Physical Dimensions inches (millimeters) unless otherwise noted (Continued)



16-Lead Ceramic Flat Package (W)
Order Number 54LS169FMB or DM54LS169AW
Package Number W16A

LIFE SUPPORT POLICY

FAIRCHILD'S PRODUCTS ARE NOT AUTHORIZED FOR USE AS CRITICAL COMPONENTS IN LIFE SUPPORT DEVICES OR SYSTEMS WITHOUT THE EXPRESS WRITTEN APPROVAL OF THE PRESIDENT OF FAIRCHILD SEMICONDUCTOR CORPORATION. As used herein:

1. Life support devices or systems are devices or systems which, (a) are intended for surgical implant into the body, or (b) support or sustain life, and (c) whose failure to perform when properly used in accordance with instructions for use provided in the labeling, can be reasonably expected to result in a significant injury to the user.
2. A critical component in any component of a life support device or system whose failure to perform can be reasonably expected to cause the failure of the life support device or system, or to affect its safety or effectiveness.

Fairchild Semiconductor Corporation
 Americas
 Customer Response Center
 Tel: 1-888-522-5372

Fairchild Semiconductor Europe
 Fax: +49 (0) 1 80-530 85 86
 Email: europe.support@nsc.com
 Deutsch Tel: +49 (0) 8 141-35-0
 English Tel: +44 (0) 1 793-85-68-56
 Italy Tel: +39 (0) 2 57 5631

Fairchild Semiconductor Hong Kong Ltd.
 13th Floor, Straight Block,
 Ocean Centre, 5 Canton Rd.
 Tsimshatsui, Kowloon
 Hong Kong
 Tel: +852 2737-7200
 Fax: +852 2314-0061

National Semiconductor Japan Ltd.
 Tel: 81-3-5620-6175
 Fax: 81-3-5620-6179

www.fairchildsemi.com