

CMOS SINGLE CHIP 8-BIT MICROCONTROLLER with 8(4)-Kbytes of FLASH

FEATURES

- 80C52(51) based architecture
- 8(4)-Kbytes Flash memory with fast-pulse programming algorithm and software protection
- 256 x 8 RAM (128x8 RAM)
- Three (Two)16-bit Timer/Counters
- Full duplex serial channel
- Boolean processor
- Four 8-bit I/O ports, 32 I/O lines
- Memory addressing capability
 - 64K ROM and 64K RAM
- Program memory lock
 - Lock bits (3)
- Power save modes:
 - Idle and power-down
- Eight interrupt sources
- Most instructions execute in 0.3 μ s
- CMOS and TTL compatible
- Maximum speed: 40 MHz @ Vcc = 5V
- Packages available:
 - 40-pin DIP
 - 44-pin PLCC
 - 44-pin PQFP

GENERAL DESCRIPTION

The ICSI IC89C52(51)A is a high-performance micro-controller fabricated with high-density CMOS technology. The CMOS IC89C52A is functionally compatible with the NMOS Intel 8052(51), Philips' 80C52(51) micro controller.

The IC89C52(51)A contains a 8K (4K) x 8 Flash; a 256 x 8 RAM (128 x 8 RAM); 32 I/O lines for either multi-processor communications; I/O expansion or full duplex UART; three (two) 16-bit timers/counters; a six-source (five-source), two-priority-level, nested interrupt structure; and on chip oscillator and clock circuit. The IC89C52(51) A can be expanded using standard TTL compatible memory.

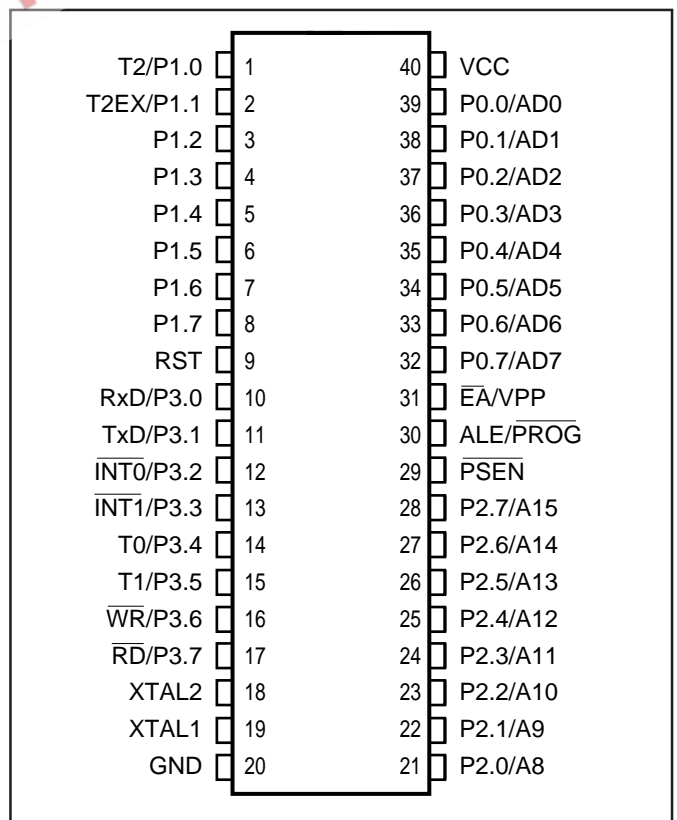


Figure 1. IC89C52(51)A Pin Configuration: 40-pin DIP

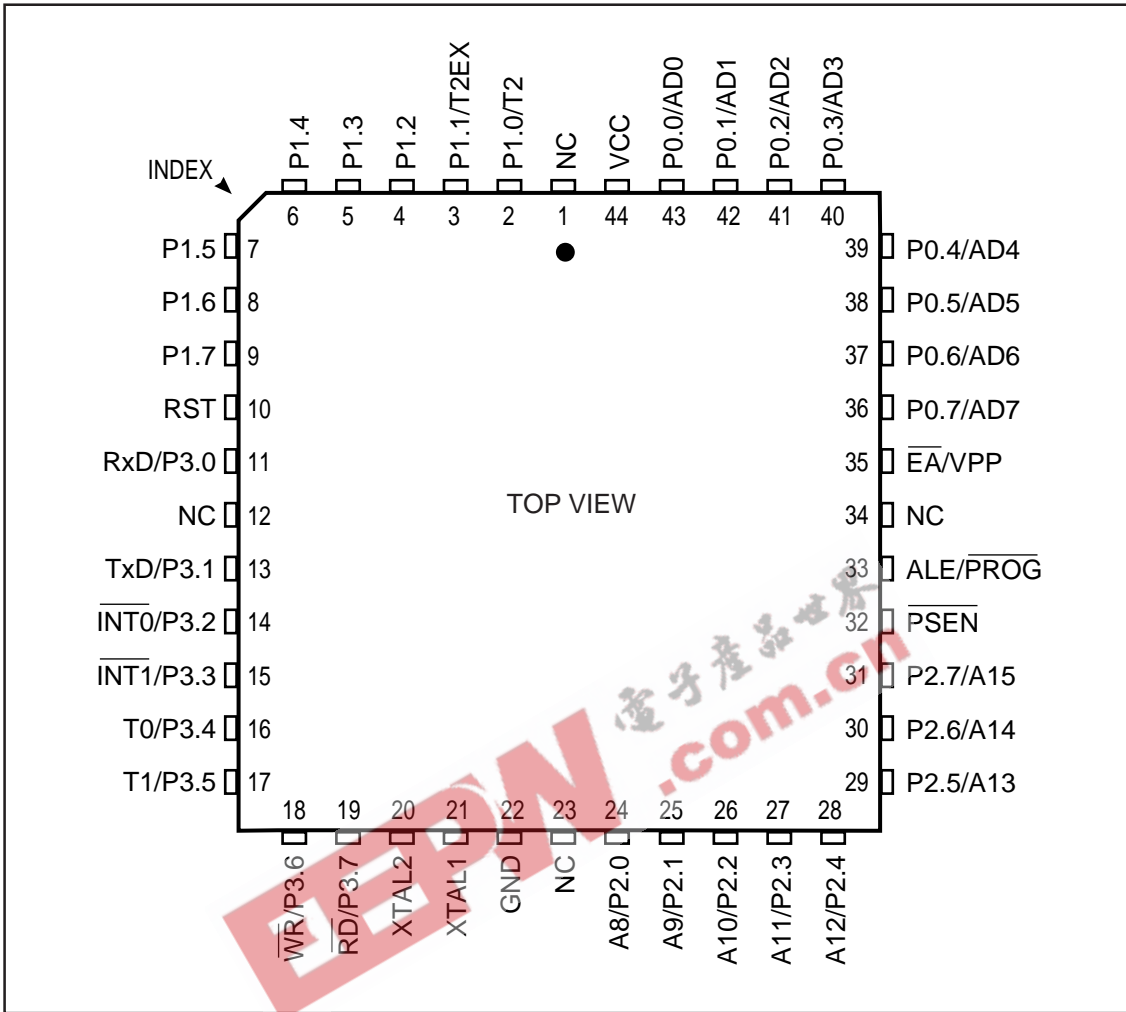


Figure 2. IC89C52(51)A Pin Configuration: 44-pin PLCC

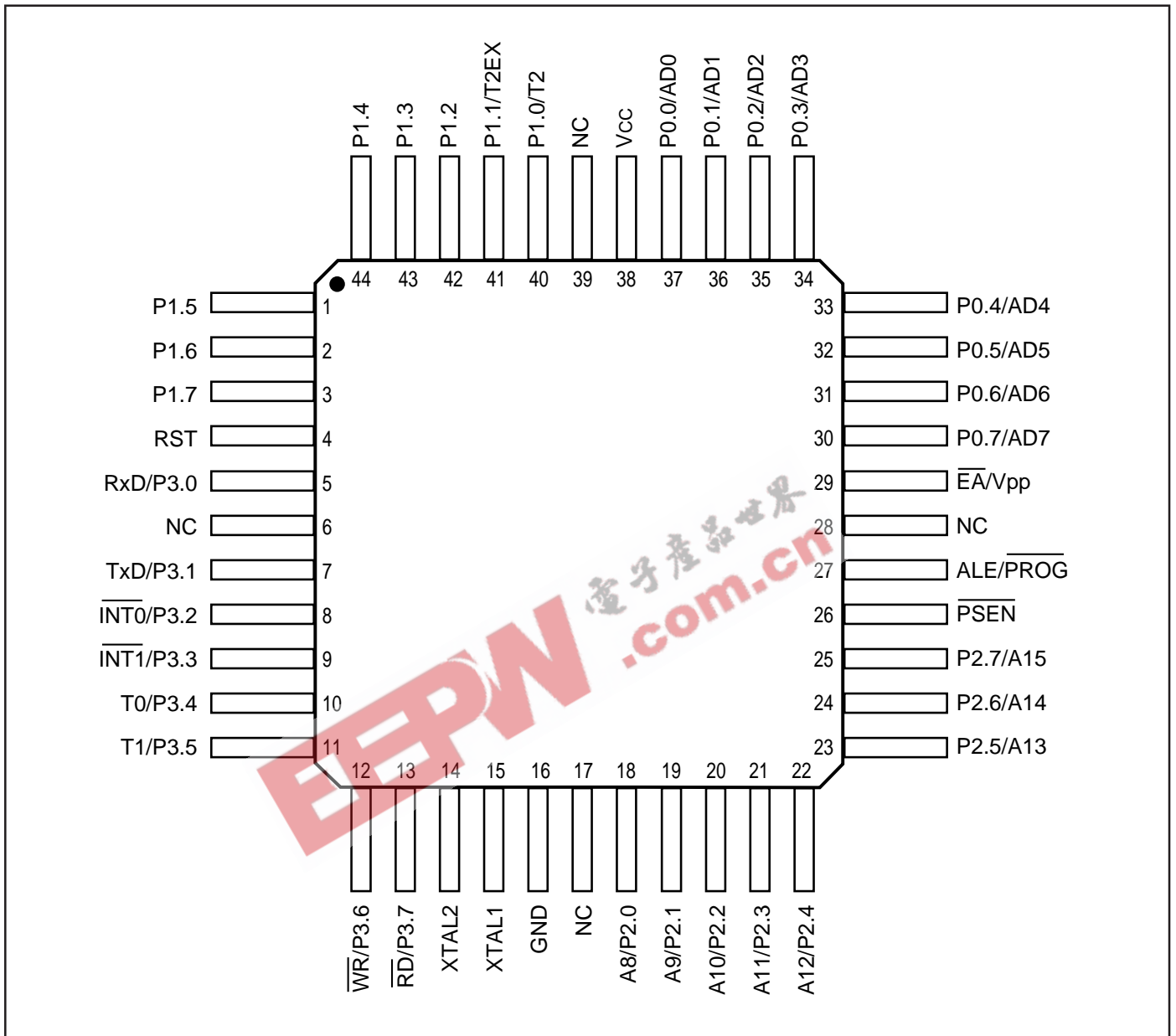


Figure 3. IC89C52(51)A Pin Configuration: 44-pin PQFP

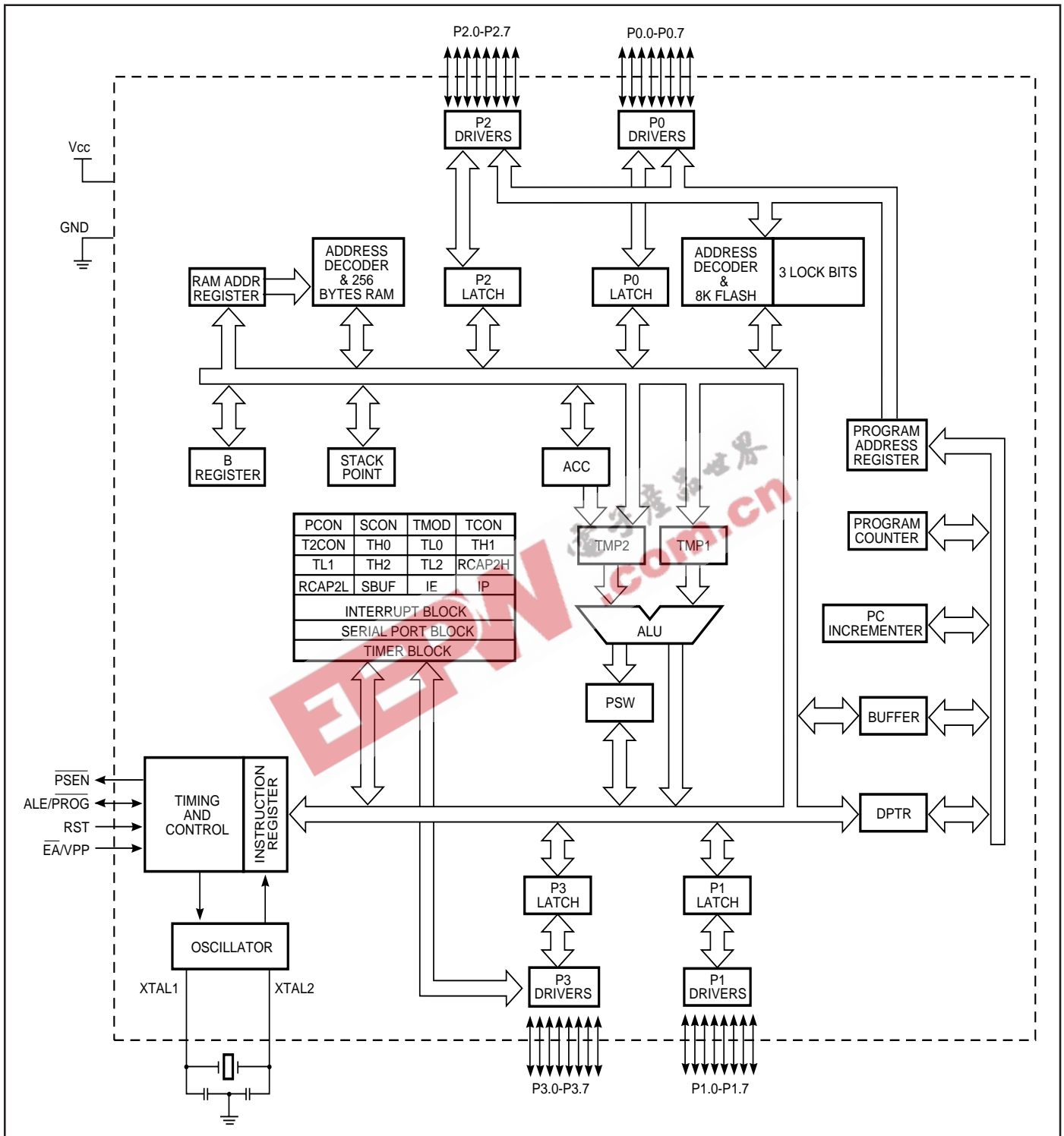


Figure 4. IC89C52(51)A Block Diagram



IC89C52(51)A

Table 1. Detailed Pin Description

Symbol	PDIP	PLCC	PQFP	I/O	Name and Function
ALE/ $\overline{\text{PROG}}$	30	33	27	I/O	Address Latch Enable: Output pulse for latching the low byte of the address during an address to the external memory. In normal operation, ALE is emitted at a constant rate of 1/6 the oscillator frequency, and can be used for external timing or clocking. Note that one ALE pulse is skipped during each access to external data memory. This pin is also the Program Pulse input (PROG) during Flash programming.
$\overline{\text{EA}}/\text{V}_{\text{PP}}$	31	35	29	I	External Access enable: $\overline{\text{EA}}$ must be externally held low to enable the device to fetch code from external program memory locations 0000H to 1FFFH. If $\overline{\text{EA}}$ is held high, the device executes from internal program memory unless the program counter contains an address greater than 1FFFH. This also receives the 12V programming enable voltage (V_{PP}) during Flash programming.
P0.0-P0.7	39-32	43-36	37-30	I/O	Port 0: Port 0 is an 8-bit open-drain, bidirectional I/O port. Port 0 pins that have 1s written to them float and can be used as high-impedance inputs. Port 0 is also the multiplexed low-order address and data bus during accesses to external program and data memory. In this application, it uses strong internal pullups when emitting 1s. Port 0 also receives the command and code bytes during programmable memory programming and outputs the code bytes during program verification. External pullups are required during program verification.
P1.0-P1.7	1-8	2-9	40-44 1-3	I/O	Port 1: Port 1 is an 8-bit bidirectional I/O port with internal pullups. Port 1 pins that have 1s written to them are pulled high by the internal pullups and can be used as inputs. As inputs, Port 1 pins that are externally pulled low will source current because of the internal pullups. (See DC Characteristics: I_{IL}). The Port 1 output buffers can sink/source four TTL inputs. Port 1 also receives the low-order address byte during Flash programming and verification.
	1	2	40	I	T2(P1.0): Timer/Counter 2 external count input.(IC89C52A only)
	2	3	41	I	T2EX(P1.1): Timer/Counter 2 trigger input.(IC89C52A only)
P2.0-P2.7	21-28	24-31	18-25	I/O	Port 2: Port 2 is an 8-bit bidirectional I/O port with internal pullups. Port 2 pins that have 1s written to them are pulled high by the internal pullups and can be used as inputs. As inputs, Port 2 pins that are externally pulled low will source current because of the internal pullups. (See DC Characteristics: I_{IL}). Port 2 emits the high order address byte during fetches from external program memory and during accesses to external data memory that used 16-bit addresses (MOVX @ DPTR). In this application, Port 2 uses strong internal pullups when emitting 1s. During accesses to external data memory that use 8-bit addresses (MOVX @ Ri [i = 0, 1]), Port 2 emits the contents of the P2 Special Function Register. Port 2 also receives the high-order bits and some control signals during Flash programming and verification. P2.6 and P2.7 are the control signals while the chip programs and erases.



Table 1. Detailed Pin Description (continued)

Symbol	PDIP	PLCC	PQFP	I/O	Name and Function
P3.0-P3.7	10-17	11, 13-19	5, 7-13	I/O	<p>Port 3: Port 3 is an 8-bit bidirectional I/O port with internal pullups. Port 3 pins that have 1s written to them are pulled high by the internal pullups and can be used as inputs. As inputs, Port 3 pins that are externally pulled low will source current because of the internal pullups. (See DC Characteristics: I_{IL}).</p> <p>Port 3 also serves the special features of the IC89C52(51)A, as listed below:</p> <p>RxD (P3.0): Serial input port. TxD (P3.1): Serial output port. INT0 (P3.2): External interrupt 0. INT1 (P3.3): External interrupt 1. T0 (P3.4): Timer 0 external input. T1 (P3.5): Timer 1 external input. WR (P3.6): External data memory write strobe. Program control signal while the chip programs and erases. RD (P3.7): External data memory read strobe. Program control signal while the chip programs and erases.</p>
<u>PSEN</u>	29	32	26	O	<p>Program Store Enable: The read strobe to external program memory. When the device is executing code from the external program memory, <u>PSEN</u> is activated twice each machine cycle except that two <u>PSEN</u> activations are skipped during each access to external data memory. <u>PSEN</u> is not activated during fetches from internal program memory.</p> <p><u>PSEN</u> is an input control signal while memory program and verification.</p>
RST	9	10	4	I	<p>Reset: A high on this pin for two machine cycles while the oscillator is running resets the device. An internal resistor to VSS permits a power-on reset using only an external capacitor. A small internal resistor permits power-on reset using only a capacitor connected to VCC.</p> <p>RST is an input control signal during memory program and verification.</p>
XTAL 1	19	21	15	I	<p>Crystal 1: Input to the inverting oscillator amplifier and input to the internal clock generator circuits.</p>
XTAL 2	18	20	14	O	<p>Crystal 2: Output from the inverting oscillator amplifier.</p>
GND	20	22	16	I	<p>Ground: 0V reference.</p>
Vcc	40	44	38	I	<p>Power Supply: This is the power supply voltage for operation.</p>

IC89C52(51)A

OPERATING DESCRIPTION

The detail description of the IC89C52(51)A included in this description are:

- Memory Map and Registers
- Timer/Counters
- Serial Interface
- Interrupt System
- Other Information

The detail information description of the IC89C52(51)A refer to IC80C52/32 data sheet

Programming the IC89C52(51)A:

The IC89C52(51)A is normally shipped the on-chip Flash memory array in the erased state (i.e. contents=FFH) and ready to be programmed. The IC89C52(51)A is programmed byte-by-byte in programming mode. Before the on-chip flash code memory can be re-programmed, the entire memory array must be erased electrically.

Programming Interface:

Some conditions must be satisfied before entering the programming mode. The conditions are listed following.

1. \overline{RST} is high level
2. \overline{PSEN} is low level
3. P3.6 and P3.7 is high level

The interface-controlled signals are matched these conditions, then the IC89C52(51)A will enter received command mode. The flash command is accepted by the flash command decoder in command received mode. The programming interface is listed in figure 5.

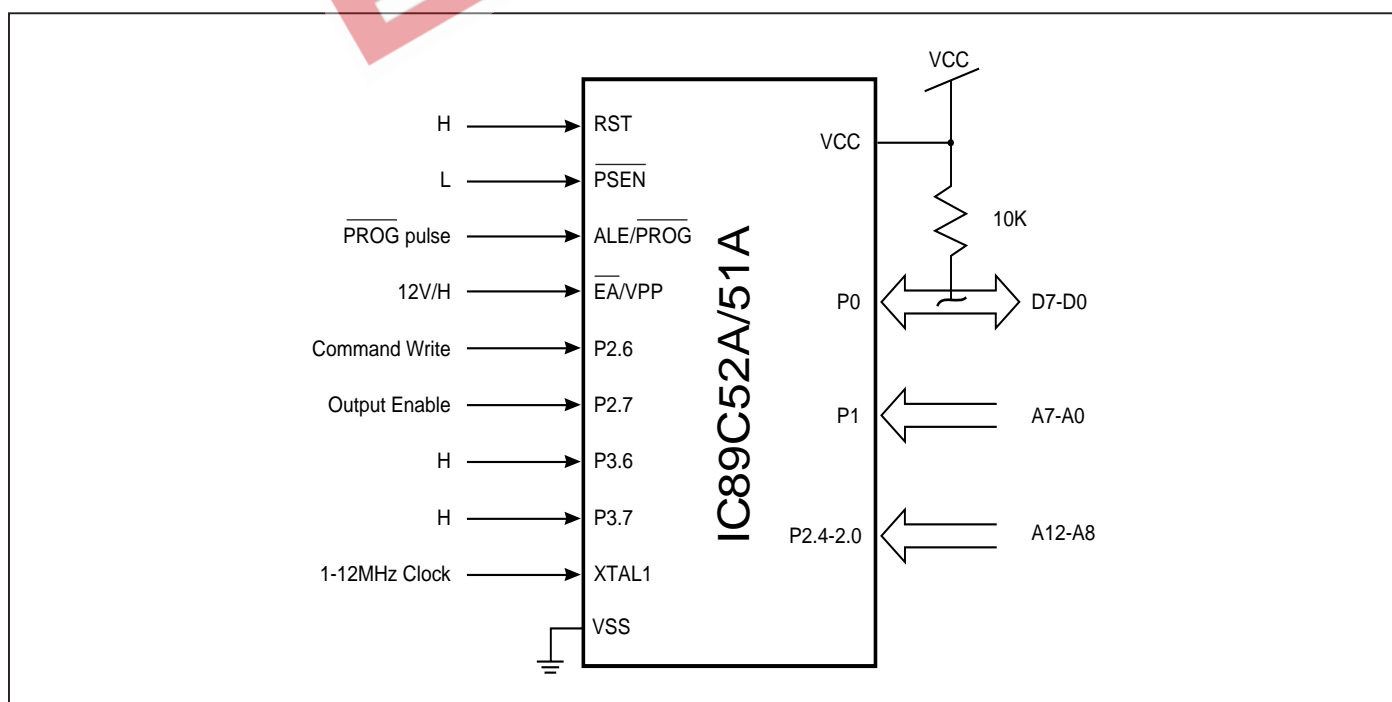


Figure 5. Programming Interface



Flash Command Definitions

	Bus		First Bus Cycle				Second Bus Cycle			
	Cycle	Operation	Address	Data	VPP	Operation	Address	Data	VPP	
Normal Verify ₍₁₎	(n+1) ₍₂₎	P2.6	X	00H	H	P2.7 Low	SA ₍₃₎	SD ₍₃₎	H	
Read Signature Byte	4	P2.6	X	90H	H	P2.7 Low	30H 31H 32H	D5H 52H 55H/AAH		
Program Code Memory	2	P2.6	X	40H	H	PROG	PA ₍₃₎	PD ₍₃₎	12V/H	
Program Verify ₍₁₎	(n+1) ₍₂₎	P2.6	X	C0H	H	P2.7 Low	SA	PVD ₍₃₎	H	
Program Lock Bit 1	2	P2.6	X	60H	H	PROG	X	D0H	12V/H	
Program Lock Bit 2	2	P2.6	X	70H	H	PROG	X	D0H	12V/H	
Program Lock Bit 3	2	P2.6	X	80H	H	PROG	X	D0H	12V/H	
Chip Erase	2	P2.6	X	20H	H	PROG	X	D0H	12V/H	
Erase Verify ₍₁₎	(n+1) ₍₂₎	P2.6	X	A0H	H	P2.7 Low	EA ₍₃₎	EVD ₍₃₎	H	

Note:

- Normal Verify: Internal flash sense amplifier uses the same threshold as instruction executing threshold.
 Program Verify: The flash sense amplifier applies an internally generated higher margin voltage to the addressed byte. If a comparison between the programmed byte and the true data is successful, there is a margin exists in the programmed data.
 Erase Verify: The flash sense amplifier applies an internally generated lower margin voltage to the addressed byte. Reading FFH from the addressed byte indicates that all bits in the bytes are erased.
- To verify n bytes data.
- SA = Selected Address of memory location to be read except program or erase verify.
 SD = Data read from location SA with Normal Verification threshold.
 PA = Address of memory location to be programmed.
 PD = Data to be programmed at location PA.
 PVD = Data read from location PA during program verify.
 EA = Address of memory location to be read during erase verify.
 EVD - Data read from location EA during erase verify.

Programming Core Memory

Every code byte in the Flash array can be written and the entire array can be erased using the appropriate command from Port 0 by programmer or application system. The program/erase are two-cycle operations. The first cycle is command write cycle; the command 40H is written by P2.6 falling and rising edges. The command would be held a stable value within P2.6 low state. The command decoder enables programming flag after the first cycle is completion, then the internal programming flag is set. Rising edge of PROG will clear internal programming flag, so the programming command must be presented every programming cycle. The second cycle is real flash programming cycle. The programming address and data are latched at PROG falling edge, the programming time is controlled by low time of PROG. The programming flag is cleared at PROG rising edge in the second cycle. Programming address range is from 0 to 1FFFH. IC89C52(51)A programming range is from 0 to 1FFFH, but the program counter will jump to external memory while MCU executing the address is excess 0FFFH.

The IC89C52(51)A code memory programming now is described in Figure 6.



IC89C52(51)A

Program Verify

If lock bits LB2 and LB3 have not been programmed, the programmed code data can be read back via the address and data lines for verification. 'C0H' command is needed for switching to program verify mode. During program verify, the code memory use the internally-generated higher margin voltage to the addressed byte.

Normal Verify

If lock bits LB2 and LB3 have not been programmed, the programmed code data can be read back via the address and data lines for verification. If flash command decoder receives the '00H' command or IC89C52(51)A power is initialized, the command decoder switches to normal verify mode. During normal verify, the code memory use the same threshold as instruction executing threshold.

Erase Verify

If lock bits LB2 and LB3 have not been programmed, the programmed code data can be read back via the address and data lines for verification. 'A0H' command is needed for switching to erase verify mode. During erase verify, the code memory use the internally-generated lower margin voltage to the addressed byte.

Program Lock Bit 1, 2, 3

The lock bit 1, 2, 3 is programmed by using the erase command '60H', '70H' and '80H' in the first cycle. In the second cycle, the 'D0H' command is presented on whole $\overline{\text{PROG}}$ strobe time. The $\overline{\text{PROG}}$ strobe time is real lock bits programming time. The $\overline{\text{PROG}}$ rising edge will clear the erasing state to normal verify state. The programming lock bits operations don't use the smart algorithm but it is programmed 10 times directly. If programming lock bits are needed, it must be programmed after the encryption array and code memory programming.

The IC89C52(51)A lock bits programming flow is described in Figure 7.

Chip Erase

All flash cell must be programmed to '00' before the chip is erased. The programming sequence is encryption array, code memory and lock bit 1, 2, 3. The entire flash array is erased electrically by using the erase command '20H' in the first cycle. In the second cycle, the 'D0H' command is presented on whole $\overline{\text{PROG}}$ strobe time. The $\overline{\text{PROG}}$ strobe time is real flash erasing time. The $\overline{\text{PROG}}$ rising edge will clear the erasing state to normal verify state. The code array is written with all "1"s. The chip erase operation must be executed before the code memory can be re-programmed. If the any flash cell is not '1' (include encryption array and lock bits) repeat erase condition less than 50 times.

The IC89C52(51)A detail erase flow is described in Figure 8.

Reading the Signature Bytes:

The signature bytes are read by the same procedure as a normal verification of locations 030H, 031H and 032H, except that command is '90H'. The values returned are:

- (030H) = D5H indicates manufactured by ICSI
- (031H) = 52H indicates IC89C52A/IC89C51A
- (032H) = AAH indicates programming voltage is 12V
55H indicates programming voltage is 5V

The signatures can be read by following conditions. It's easier to recognize by programmer.

1. RST = high level. PSEN = Low level. $\overline{\text{PROG}}$ = High level. VPP = High Level. P2.6 = Low level. P2.7 = Low level. P3.6 = Low level. P3.7 = Low level.
2. Address is switched to (030H), (031H) and (032H). Then the Data bus outputs the D5H, 52H, AAH (55H).

Lock bits Features

	Program Lock bits			Protection Type
	LB1	LB2	LB3	
1	U	U	U	No program lock feature enabled.
2	P	U	U	MOVC instructions executed from external program memory are disabled from fetching code bytes from internal memory, $\overline{\text{EA}}$ is sampled and latched on reset, and further programming of the Flash is disabled.
3	P	P	U	Same as 2, also verify is disabled
4	P	P	P	Same as 3, also external execution is disabled

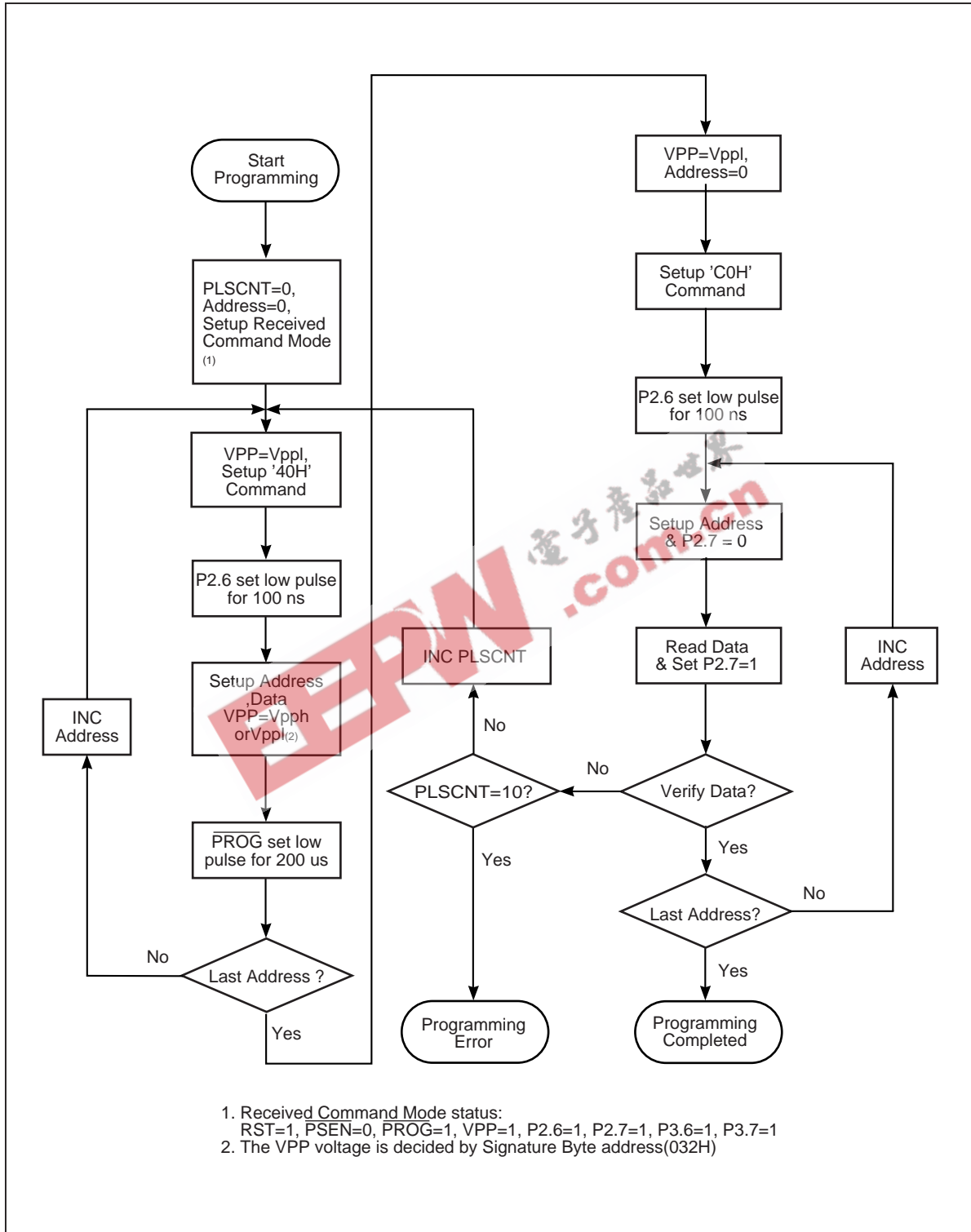


Figure. 6 IC89C52(51)A Main Memory Programming Flow

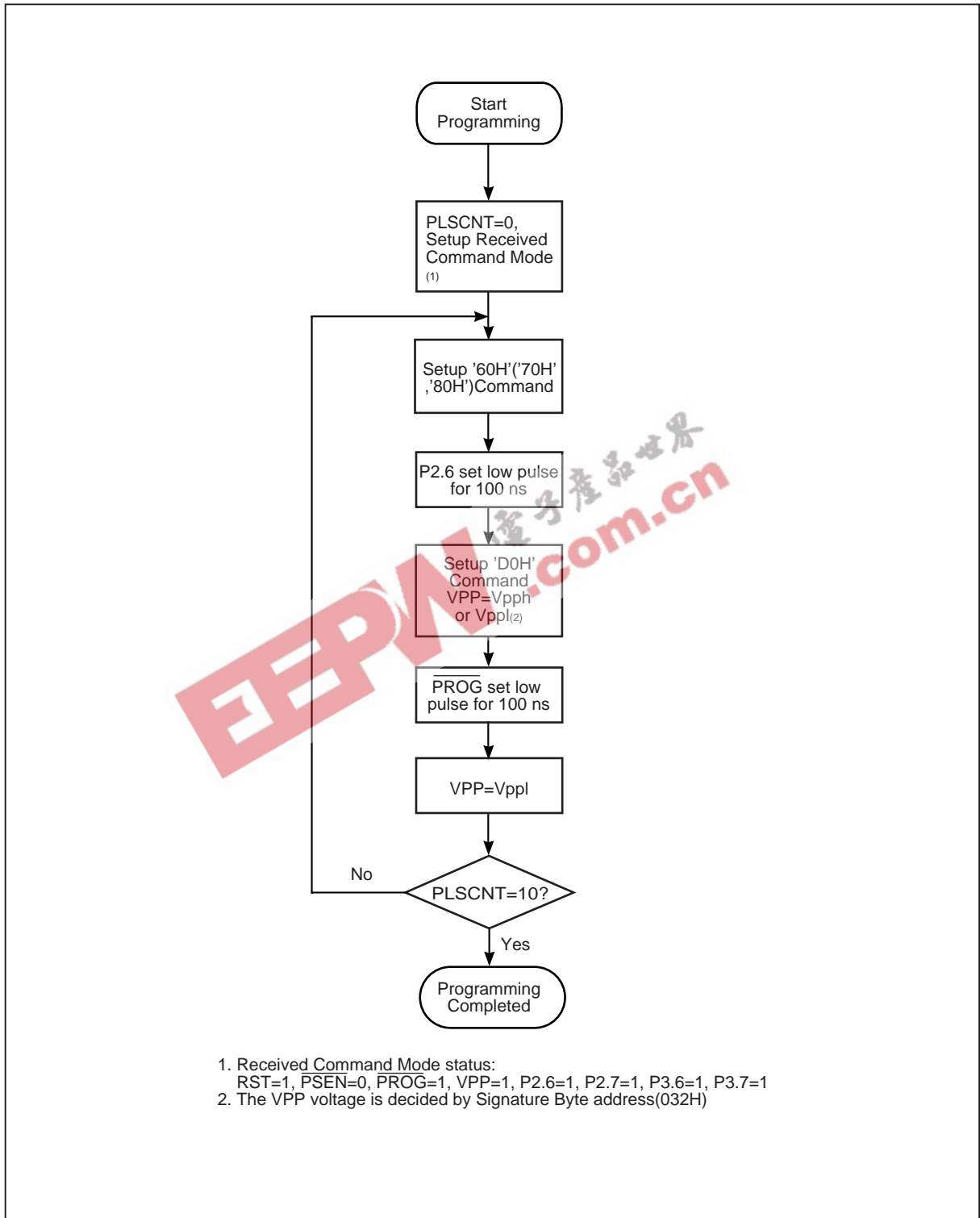


Figure. 7 IC89C52(51)A Lock Bits Programming Flow

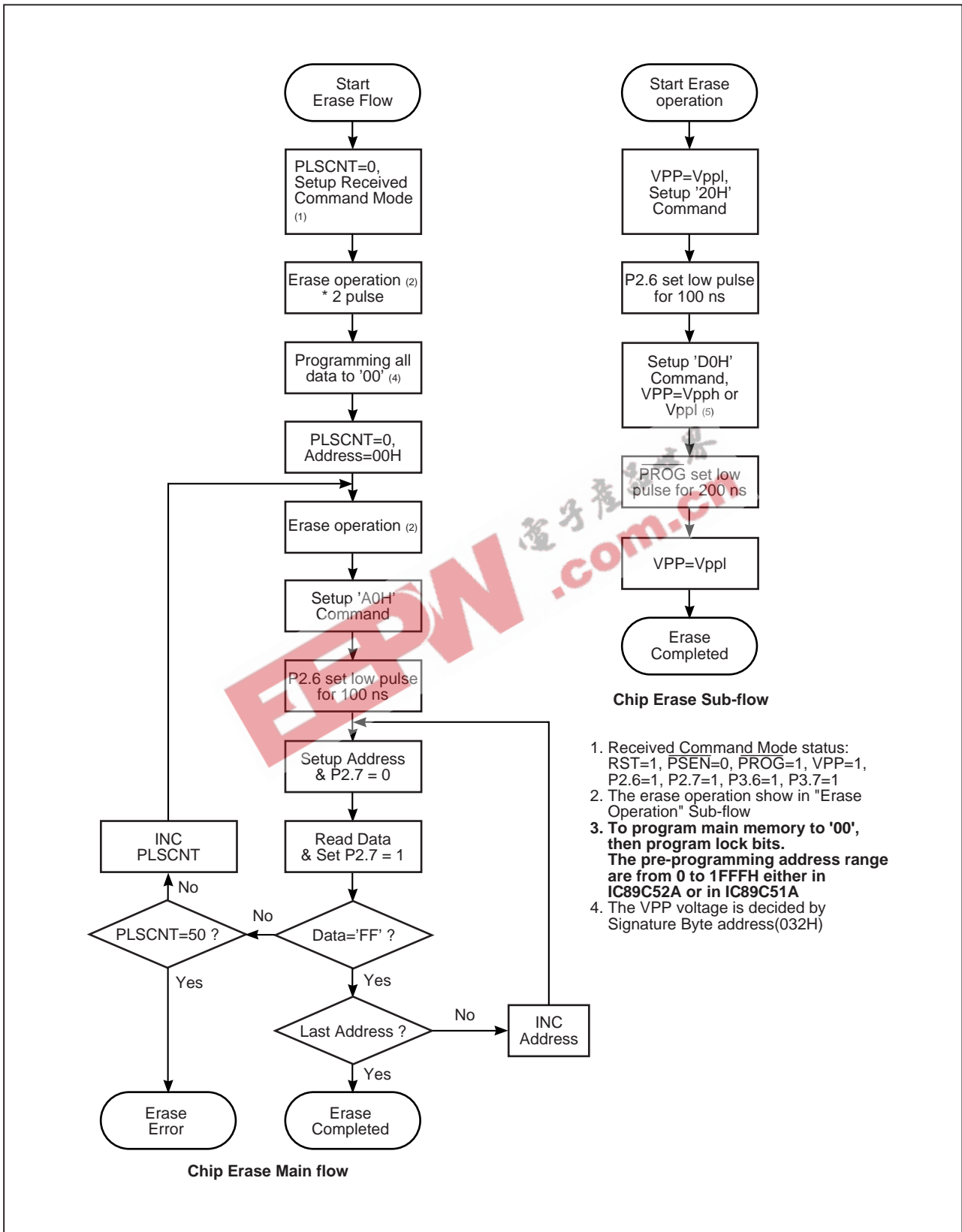


Figure. 8 IC89C52(51)A Erase Flow

IC89C52(51)A

ABSOLUTE MAXIMUM RATINGS⁽¹⁾

Symbol	Parameter	Value	Unit
V _{TERM}	Terminal Voltage with Respect to GND ⁽²⁾	-2.0 to +7.0	V
T _{BIAS}	Temperature Under Bias ⁽³⁾	0 to +70	°C
T _{STG}	Storage Temperature	-65 to +125	°C
P _T	Power Dissipation	1.5	W

Note:

1. Stress greater than those listed under ABSOLUTE MAXIMUM RATINGS may cause permanent damage to the device. This is a stress rating only and functional operation of the device at these or any other conditions above those indicated in the operational sections of this specification is not implied. Exposure to absolute maximum rating conditions for extended periods may affect reliability.
2. Minimum DC input voltage is -0.5V. During transitions, inputs may undershoot to -2.0V for periods less than 20 ns. Maximum DC voltage on output pins is V_{cc} + 0.5V which may overshoot to V_{cc} + 2.0V for periods less than 20 ns.
3. Operating temperature is for commercial products only defined by this specification.

Warning:

Stressing the device beyond the “Absolute Maximum Rating” may cause permanent damage. This is stress rating only. Operation beyond the “operating conditions” is not recommended and extended exposure beyond the “operating conditions” may affect device reliability.

OPERATING RANGE⁽¹⁾

Range	Ambient Temperature	V _{cc}	Oscillator Frequency
Commercial	0°C to +70°C	5V ± 10%	3.5 to 40 MHz

Note:

1. Operating ranges define those limits between which the functionality of the device is guaranteed.



DC CHARACTERISTICS

(Ta=0°C to 70°C; VCC=5V+10%; VSS=0V)

Symbol	Parameter	Test conditions	Min	Max	Unit
V _{IL}	Input low voltage (All except \overline{EA})		-0.5	0.2V _{CC} - 0.1	V
V _{IL1}	Input low voltage (\overline{EA})		-0.5	0.2V _{CC} - 0.3	V
V _{IH}	Input high voltage (All except XTAL 1, RST, \overline{EA})		0.2V _{CC} + 0.9	V _{CC} + 0.5	V
V _{IH1}	Input high voltage (XTAL 1, \overline{EA})		0.7V _{CC}	V _{CC} + 0.5	V
V _{SCH+}	RST positive schmitt-trigger threshold voltage		0.7V _{CC}	V _{CC} + 0.5	V
V _{SCH-}	RST negative schmitt-trigger threshold voltage		0	0.3V _{CC}	V
V _{OL} ⁽¹⁾	Output low voltage (Ports 1, 2, 3)	I _{OL} = 100 μA	—	0.3	V
		I _{OL} = 1.6 mA	—	0.45	V
		I _{OL} = 3.5 mA	—	1.0	V
V _{OL1} ⁽¹⁾	Output low voltage (Port 0, ALE, \overline{PSEN})	I _{OL} = 200 μA	—	0.3	V
		I _{OL} = 3.2 mA	—	0.45	V
		I _{OL} = 7.0 mA	—	1.0	V
V _{OH}	Output high voltage (Ports 1, 2, 3, ALE, \overline{PSEN})	I _{OH} = -10 μA V _{CC} = 4.5V-5.5V	0.9V _{CC}	—	V
		I _{OH} = -25 μA	0.75V _{CC}	—	V
		I _{OH} = -60 μA	2.4	—	V
V _{OH1}	Output high voltage (Port 0, ALE, \overline{PSEN})	I _{OH} = -80 μA V _{CC} = 4.5V-5.5V	0.9V _{CC}	—	V
		I _{OH} = -300 μA	0.75V _{CC}	—	V
		I _{OH} = -800 μA	2.4	—	V
I _{IL}	Logical 0 input current (Ports 1, 2, 3)	V _{IN} = 0.45V	—	-50	μA
I _{LI}	Input leakage current (Port 0)	0.45V < V _{IN} < V _{CC}	-10	+10	μA
I _{TL}	Logical 1-to-0 transition current (Ports 1, 2, 3)	V _{IN} = 2.0V	—	-650	μA
R _{RST}	RST pulldown resistor	V _{IN} =0V	50	300	KΩ

Note:

- Under steady state (non-transient) conditions, I_{OL} must be externally limited as follows:
 Maximum I_{OL} per port pin: 10 mA
 Maximum I_{OL} per 8-bit port
 Port 0: 26 mA
 Ports 1, 2, 3: 15 mA
 Maximum total I_{OL} for all output pins: 71 mA
 If I_{OL} exceeds the test condition, V_{OL} may exceed the related specification.
 Pins are not guaranteed to sink greater than the listed test conditions.
- The I_{CC} test conditions are shown below. Minimum V_{CC} for Power Down is 2 V.

IC89C52(51)A

POWER SUPPLY CHARACTERISTICS

Symbol	Parameter	Test conditions	Min	Max	Unit		
I _{cc}	Power supply current ⁽¹⁾	V _{cc} = 5.0V					
			Active mode	12 MHz	—	20	mA
				16 MHz	—	26	mA
				20 MHz	—	32	mA
				24 MHz	—	38	mA
				32 MHz	—	50	mA
				40 MHz	—	62	mA
			Idle mode	12 MHz	—	5	mA
				16 MHz	—	6	mA
				20 MHz	—	7.6	mA
				24 MHz	—	9	mA
				32 MHz	—	12	mA
				40 MHz	—	15	mA
Power-down mode	V _{cc} = 5V	—	100	μA			

Note:

1. See Figures 9,10,11, and 12 for I_{cc} test conditions.

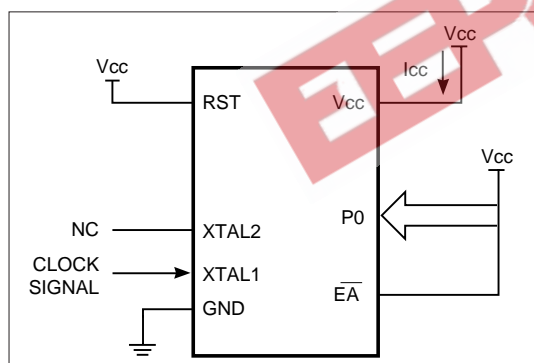


Figure 9. Active Mode

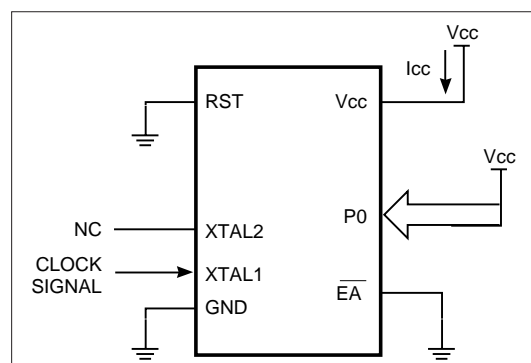
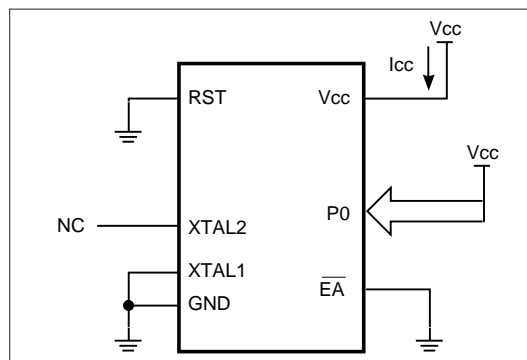


Figure 10. Idle Mode



**Figure 11. Power-down Mode
(V_{cc}=2.0V~6.0V)**

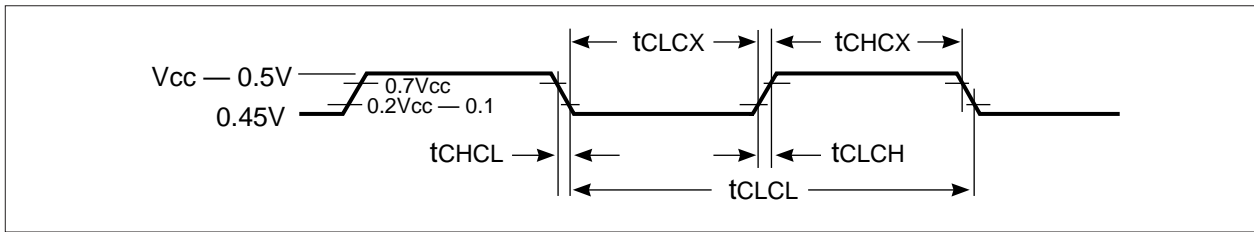


Figure 12. Clock Signal Waveform for Icc Tests in Active and Idle Mode (tCLCH=tCHCL=5 ns)

AC CHARACTERISTICS

(Ta=0°C to 70 °C; Vcc=5V±10%; Vss=0V; C1 for port 0, ALE and $\overline{\text{PSEN}}$ Outputs=100pF; C1 for other outputs=80pF)

EXTERNAL MEMORY CHARACTERISTICS

Symbol	Parameter	24 MHz Clock		40 MHz Clock		Variable Oscillator (3.5 - 40 MHz)		Unit
		Min	Max	Min	Max	Min	Max	
1/tCLCL	Oscillator frequency	—	—	—	—	3.5	40	MHz
tLHLL	ALE pulse width	68	—	35	—	2tCLCL-15	—	ns
tAVLL	Address valid to ALE low	26	—	10	—	tCLCL-15	—	ns
tLLAX	Address hold after ALE low	31	—	15	—	tCLCL-10	—	ns
tLLIV	ALE low to valid instr in	—	147	—	80	—	4tCLCL-20	ns
tLLPL	ALE low to $\overline{\text{PSEN}}$ low	31	—	15	—	tCLCL-10	—	ns
tPLPH	$\overline{\text{PSEN}}$ pulse width	110	—	60	—	3tCLCL-15	—	ns
tPLIV	$\overline{\text{PSEN}}$ low to valid instr in	—	105	—	55	—	3tCLCL-20	ns
tpXIX	Input instr hold after $\overline{\text{PSEN}}$	0	—	0	—	0	—	ns
tpXIZ	Input instr float after $\overline{\text{PSEN}}$	—	37	—	20	—	tCLCL-5	ns
tAVIV	Address to valid instr in	—	188	—	105	—	5tCLCL-20	ns
tPLAZ	$\overline{\text{PSEN}}$ low to address float	—	10	—	10	—	10	ns
trLRH	$\overline{\text{RD}}$ pulse width	230	—	130	—	6tCLCL-20	—	ns
tWLWH	$\overline{\text{WR}}$ pulse width	230	—	130	—	6tCLCL-20	—	ns
trLDV	$\overline{\text{RD}}$ low to valid data in	—	157	—	90	—	4tCLCL-10	ns
trHDX	Data hold after $\overline{\text{RD}}$	0	—	0	—	0	—	ns
trHDZ	Data float after $\overline{\text{RD}}$	—	78	—	45	—	2tCLCL-5	ns
tLLDV	ALE low to valid data in	—	282	—	165	—	7tCLCL-10	ns
tAVDV	Address to valid data in	—	323	—	190	—	8tCLCL-10	ns
tLLWL	ALE low to $\overline{\text{RD}}$ or $\overline{\text{WR}}$ low	105	145	55	95	3tCLCL-20	3tCLCL+20	ns
tAVWL	Address to $\overline{\text{RD}}$ or $\overline{\text{WR}}$ low	146	—	80	—	4tCLCL-20	—	ns
tQVWX	Data valid to $\overline{\text{WR}}$ transition	26	—	10	—	tCLCL-15	—	ns
tWHQX	Data hold after $\overline{\text{WR}}$	31	—	15	—	tCLCL-10	—	ns
trLAZ	$\overline{\text{RD}}$ low to address float	—	0	—	0	—	0	ns
tWHLH	$\overline{\text{RD}}$ or $\overline{\text{WR}}$ high to ALE high	26	57	10	40	tCLCL-15	tCLCL+15	ns



IC89C52(51)A

SERIAL PORT TIMING: SHIFT REGISTER MODE

Symbol	Parameter	24 MHz Clock		40 MHz Clock		Variable Oscillator (3.5-40 MHz)		Unit
		Min	Max	Min	Max	Min	Max	
tXLXL	Serial port clock cycle time	490	—	290	—	12t _{CLCL} -10	—	ns
tQVXH	Output data setup to clock rising edge	327	—	160	—	10t _{CLCL} -90	—	ns
tXHQX	Output data hold after clock rising edge	58	—	25	—	2t _{CLCL} -25	—	ns
tXHDX	Input data hold after clock rising edge	0	—	0	—	0	—	ns
tXHDV	Clock rising edge to input data valid	—	284	—	117	—	10t _{CLCL} -133	ns

EXTERNAL CLOCK DRIVE CHARACTERISTICS

Symbol	Parameter	Min	Max	Unit
1/t _{CLCL}	Oscillator Frequency	3.5	40	MHz
t _{CHCX}	High time	10	—	ns
t _{CLCX}	Low time	10	—	ns
t _{CLCH}	Rise time	—	10	ns
t _{CHCL}	Fall time	—	10	ns

Flash Program/Erase and Verification & Test Mode Characteristics

Symbol	Parameter	Min	Max	Unit
V _{cc}	Programming and Erase Power Voltage	5.25	5.75	V
V _{pp}	Programming and Erase Enable Voltage	11.5	12.5	V
I _{pp}	Programming and Erase Enable Current	-	2.0	mA
t _{DVCL}	Data Valid to Command Setup Low	10	-	ns
t _{CLCH}	Command Setup Width	100	-	ns
t _{CHDX}	Data Hold after Command Setup	10	-	ns
t _{AVGL}	Address Setup to $\overline{\text{PROG}}$ Low	20	-	ns
t _{GHAX}	Address Hold after $\overline{\text{PROG}}$	20	-	ns
t _{DVGL}	Data Setup to $\overline{\text{PROG}}$ Low	20	-	ns
t _{GHDX}	Data Hold after $\overline{\text{PROG}}$	20	-	ns
t _{SHGL}	V _{pp} Setup to $\overline{\text{PROG}}$ Low	10	-	us
t _{GHSL}	V _{pp} Hold after $\overline{\text{PROG}}$	10	-	us
t _{GLGH}	$\overline{\text{PROG}}$ Pulse Width in Programming Cycle	200	-	us
t _{GLGHE}	$\overline{\text{PROG}}$ Pulse Width in Erase Cycle	200	-	ms
t _{AVQV}	Address Valid to Data Valid	-	50	ns
t _{ELQV}	$\overline{\text{ENABLE}}$ Low to Data Valid	-	50	ns
t _{AXQX}	Data Float after Address Float	0	-	ns
t _{EHQX}	Data Float after $\overline{\text{ENABLE}}$	0	-	ns

TIMING WAVEFORMS

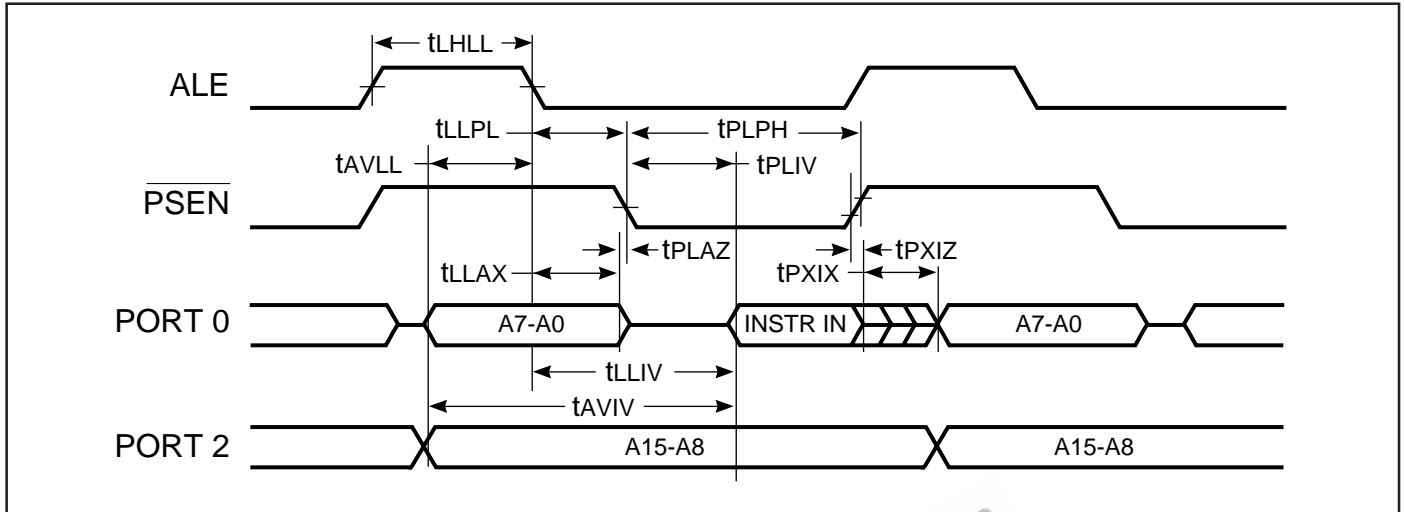


Figure 13. External Program Memory Read Cycle

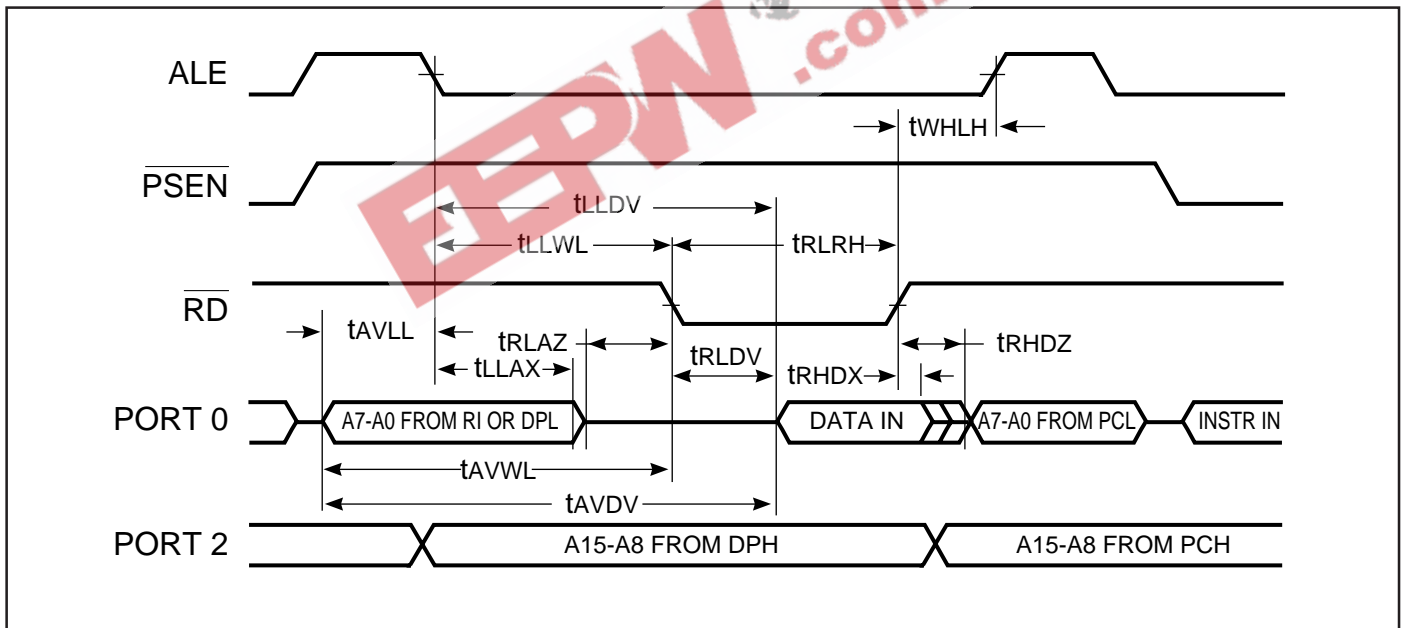


Figure 14. External Data Memory Read Cycle

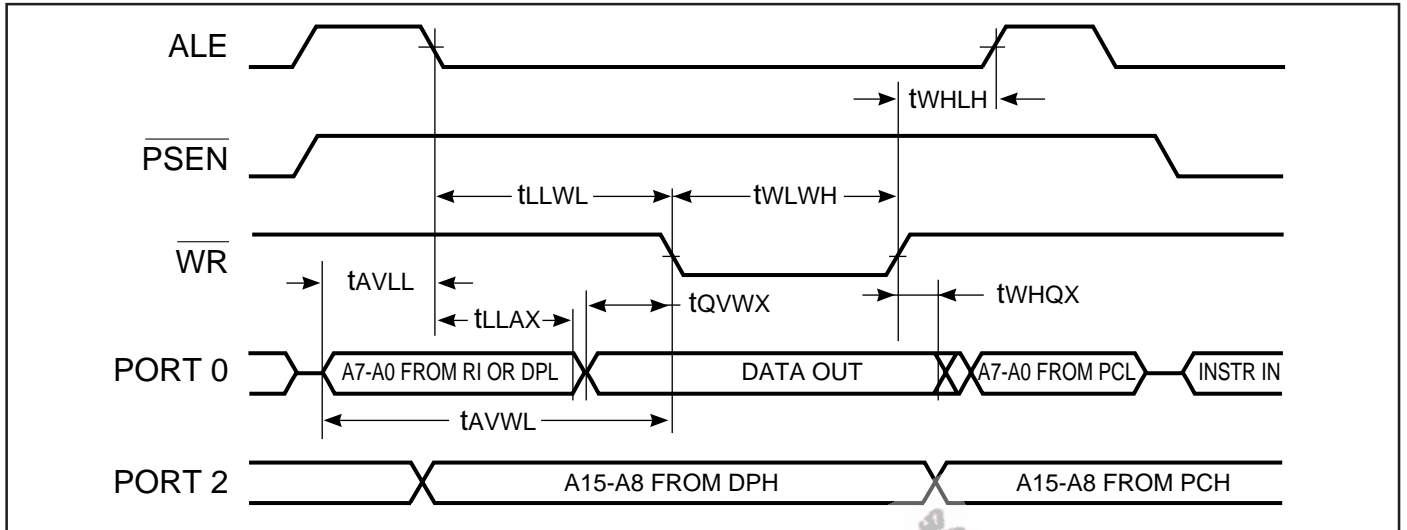


Figure 15. External Data Memory Write Cycle

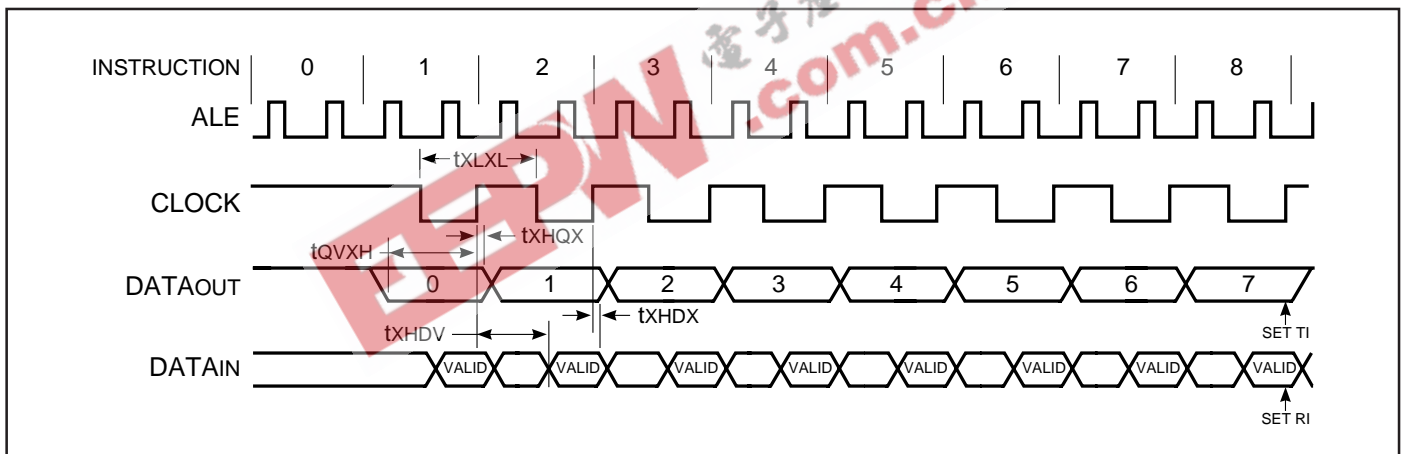


Figure 16. Shift Register Mode Timing Waveform

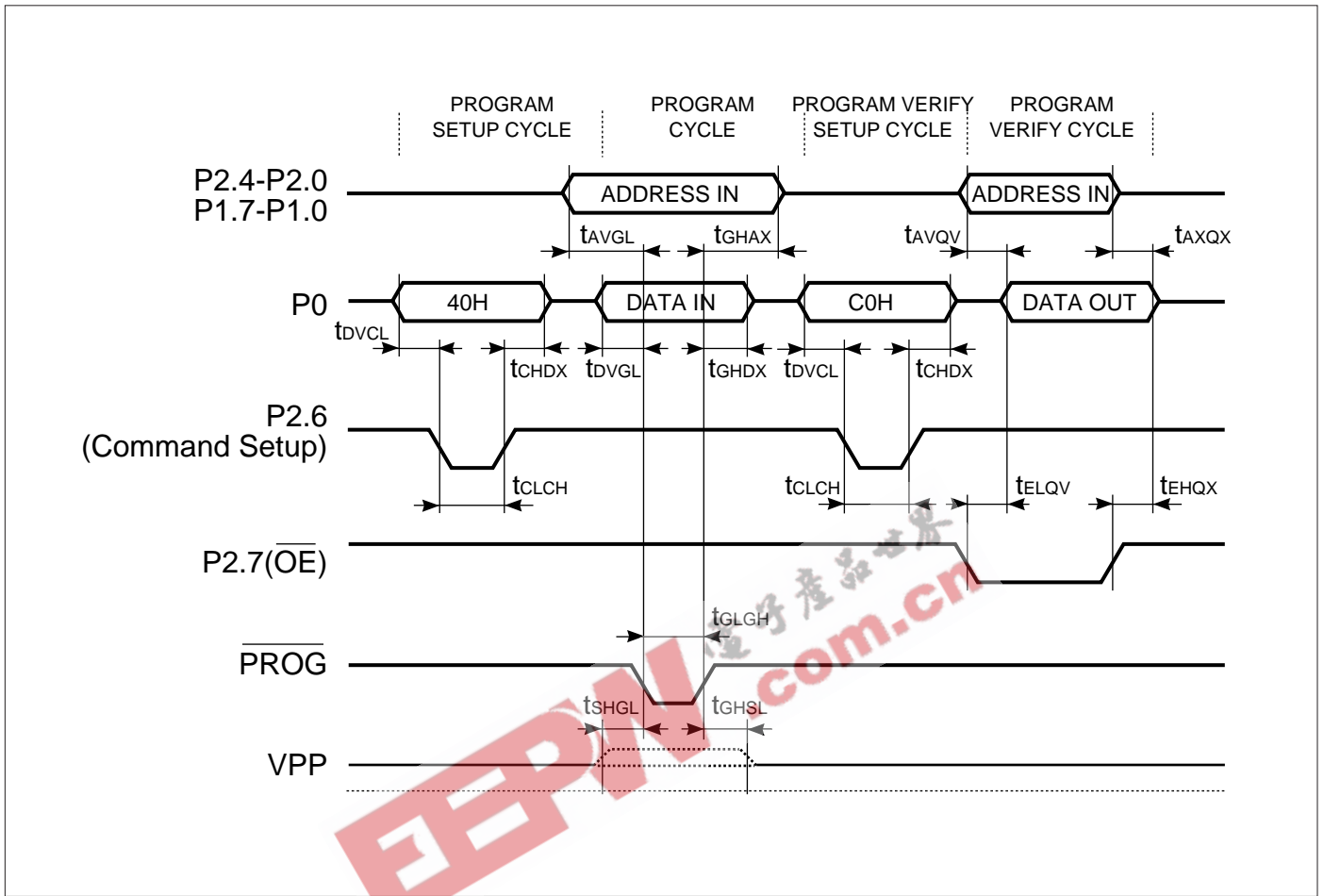


Figure 17. Programming Timing Wavform

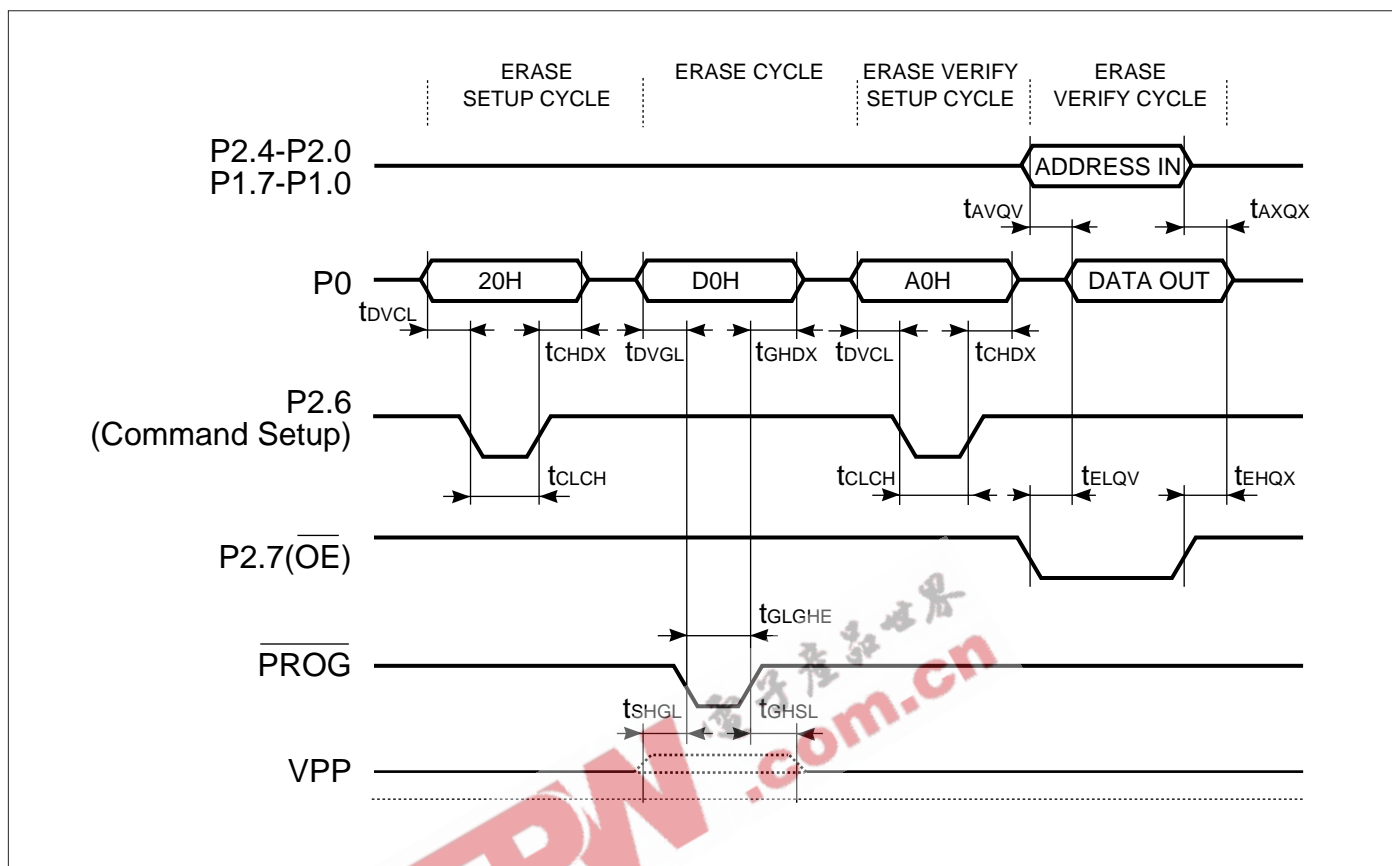


Figure 18. Erase Timing Waveform

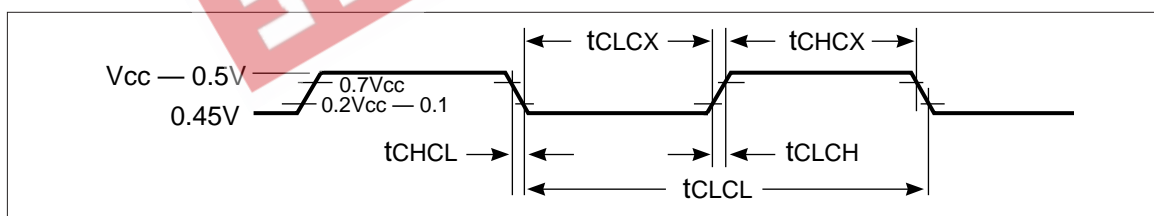


Figure 19. External Clock Drive Waveform

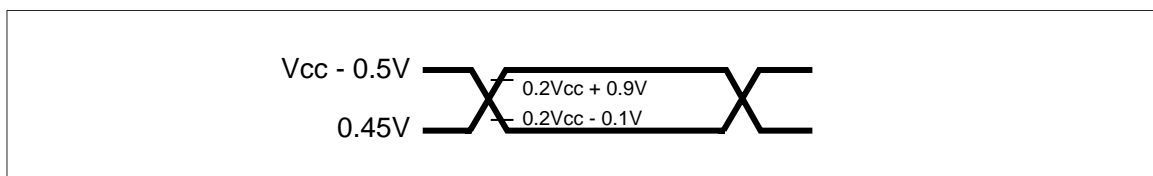


Figure 20. AC Test Point

Note:

1.AC inputs during testing are driven at $V_{cc}-0.5V$ for logic "1" and 0.45V for logic "0".
Timing measurements are made at V_{ih} min for logic "1" and max for logic "0".

ORDERING INFORMATION
Commercial Range: 0°C to +70°C

Speed	Order Part Number	Package
12 MHz	IC89C52(51)A-12PL	PLCC
	IC89C52(51)A-12W	600mil DIP
	IC89C52(51)A-12PQ	PQFP
24 MHz	IC89C52(51)A-24PL	PLCC
	IC89C52(51)A-24W	600mil DIP
	IC89C52(51)A-24PQ	PQFP
40 MHz	IC89C52(51)A-40PL	PLCC
	IC89C52(51)A-40W	600mil DIP
	IC89C52(51)A-40PQ	PQFP

EEPW 電子產品世界
.com.cn



Integrated Circuit Solution Inc.

HEADQUARTER:
NO.2, TECHNOLOGY RD. V, SCIENCE-BASED INDUSTRIAL PARK,
HSIN-CHU, TAIWAN, R.O.C.
TEL: 886-3-5780333
Fax: 886-3-5783000

BRANCH OFFICE:
7F, NO. 106, SEC. 1, HSIN-TAI 5TH ROAD,
HSICHIH TAIPEI COUNTY, TAIWAN, R.O.C.
TEL: 886-2-26962140
FAX: 886-2-26962252
<http://www.icsi.com.tw>