

### 4 TERMINAL 3A OUTPUT LOW DROP VOLTAGE REGULATOR

The KIA378R × × Series are Low Drop Voltage Regulator suitable for various electronic equipments. It provides constant voltage power source with TO-220 4 terminal lead full molded PKG. The Regulator has multi function such as over current protection, overheat protection and ON/OFF control.

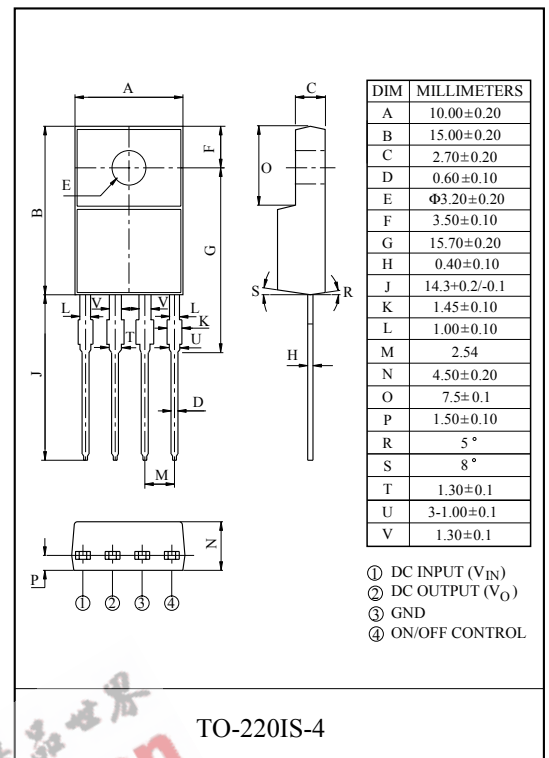
#### FEATURES

- 3.0A Output Low Drop Voltage Regulator.
- Built in ON/OFF Control Terminal.
- Built in Over Current Protection, Over Heat Protection Function.

#### LINE UP

ITEM	OUTPUT VOLTAGE (Typ.)	UNIT
* KIA378R05PI	5	V
* KIA378R06PI	6	
* KIA378R08PI	8	
* KIA378R09PI	9	
* KIA378R10PI	10	
* KIA378R12PI	12	
* KIA378R15PI	15	

Note) \* : Under Development.



#### MAXIMUM RATING (Ta=25°C)

CHARACTERISTIC	SYMBOL	RATING	UNIT	Remark
Input Voltage	V <sub>IN</sub>	35	V	-
ON/OFF Control Voltage	V <sub>C</sub>	35	V	-
Output Current	I <sub>O</sub>	3	A	-
Power Dissipation 1	P <sub>d1</sub>	1.5	W	No heatsink
Power Dissipation 2	P <sub>d2</sub>	15	W	with heatsink
Junction Temperature	T <sub>j</sub>	125	°C	-
Operating Temperature	T <sub>opr</sub>	-20~80	°C	-
Storage Temperature	T <sub>stg</sub>	-30~125	°C	-
Soldering Temperature (10sec)	T <sub>sol</sub>	260	°C	-

# KIA378R05PI~KIA378R15PI

## ELECTRICAL CHARACTERISTICS (Ta=25°C)

(Unless otherwise specified, I<sub>O</sub>=1.0A, Ta=25°C, Note1.)

CHARACTERISTIC		SYMBOL	CONDITIONS	MIN.	TYP.	MAX.	UNIT
Output Voltage	KIA378R05	V <sub>O</sub>	-	4.88	5.0	5.12	V
	KIA378R06		-	5.85	6.0	6.15	
	KIA378R08		-	7.80	8.0	8.2	
	KIA378R09		-	8.78	9.0	9.22	
	KIA378R10		-	9.75	10.0	10.25	
	KIA378R12		-	11.70	12.0	12.30	
	KIA378R15		-	14.70	15.0	15.30	
Load Regulation		Reg Load	I <sub>O</sub> =5mA~3A	-	0.1	2.0	%
Line Regulation		Reg Line	(Note 2)	-	0.5	2.5	%
Temperature Coefficient of Output Voltage		T <sub>C</sub> V <sub>O</sub>	T <sub>j</sub> =0~125°C	-	±0.02	±0.05	%/°C
Ripple Rejection		R · R	-	45	55	-	dB
Drop Out Voltage		V <sub>D</sub>	I <sub>O</sub> =3A	-	-	0.5	V
Output ON state for control Voltage		V <sub>C(ON)</sub>	-	2.0	-	-	V
Output ON state for control Current		I <sub>C(ON)</sub>	V <sub>C</sub> =2.7V	-	-	20	μA
Output OFF state for control Voltage		V <sub>C(OFF)</sub>	-	-	-	0.8	V
Output OFF state for control Current		I <sub>C(OFF)</sub>	V <sub>C</sub> =0.4V	-	-	-0.4	mA
Quiescent Current		I <sub>Q</sub>	I <sub>O</sub> =0	-	-	10	mA

Note1) V<sub>IN</sub> of KIA378R05=7V

Note2) V<sub>IN</sub> of KIA378R05=6~12V

Note3) At V<sub>IN</sub>=0.95V<sub>O</sub>

" KIA378R06=8V

" KIA378R06=7~15V

" KIA378R08=10V

" KIA378R08=9~25V

" KIA378R09=15V

" KIA378R09=10~25V

" KIA378R10=16V

" KIA378R10=11~26V

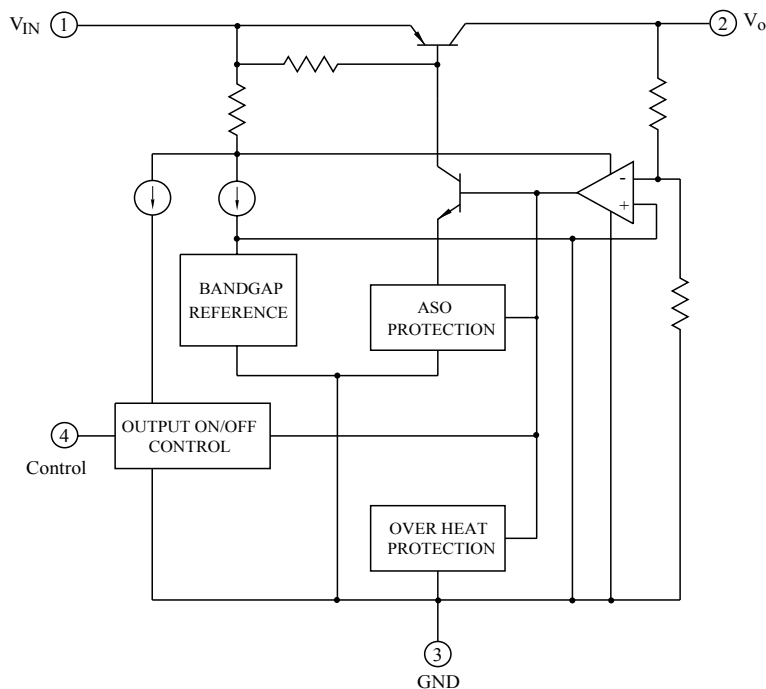
" KIA378R12=18V

" KIA378R12=13~29V

" KIA378R15=21V

" KIA378R15=16~32V

## BLOCK DIAGRAM



# KIA378R05PI~KIA378R15PI

Fig. 1 Standard Test Circuit

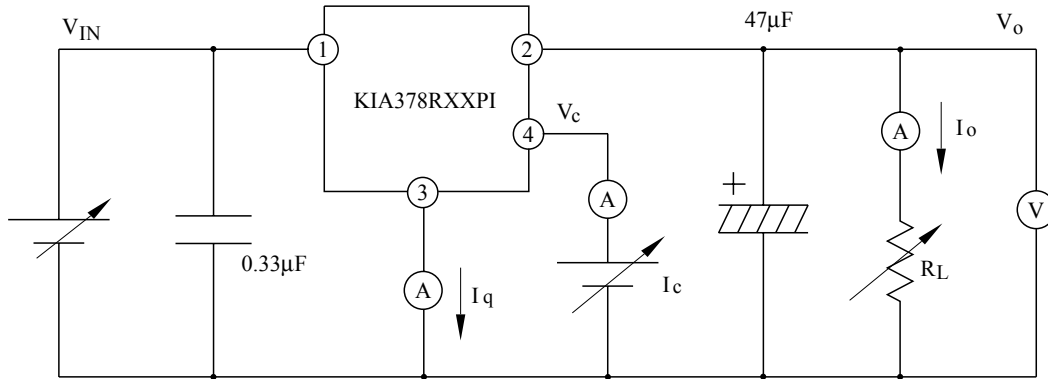


Fig. 1-2 Ripple Rejection Test Circuit

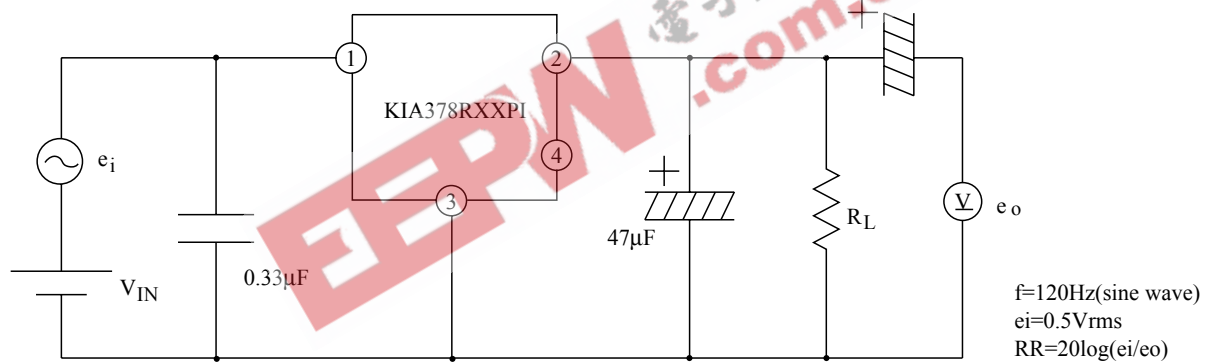
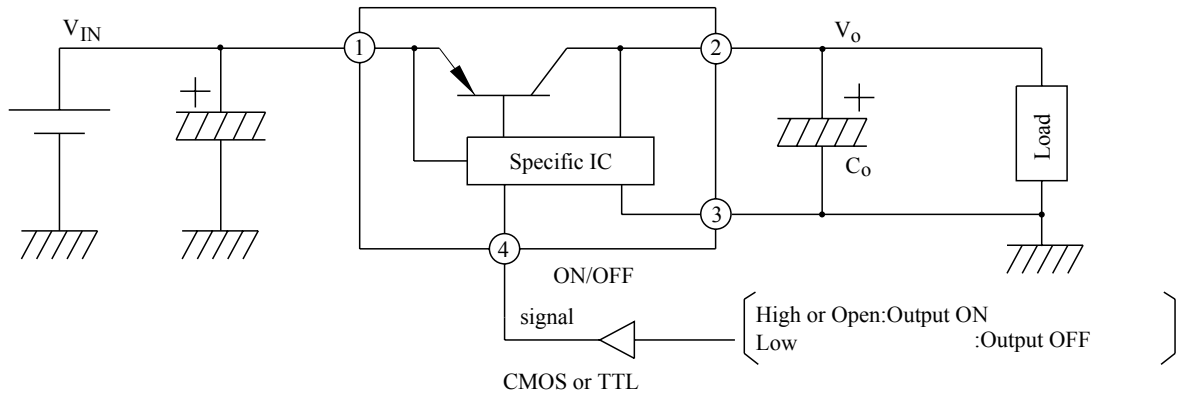
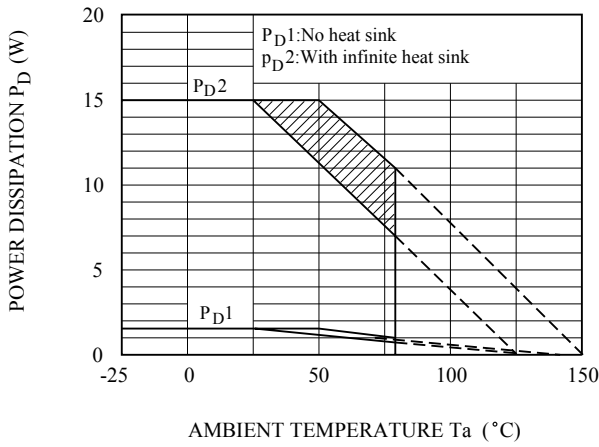


Fig. 2 Application Circuit for Standard



# KIA378R05PI~KIA378R15PI

Fig.3  $T_a - P_D$



Note) Oblique line portion : Overheat protection may operate in this area.

Fig.4  $I_O - V_O$

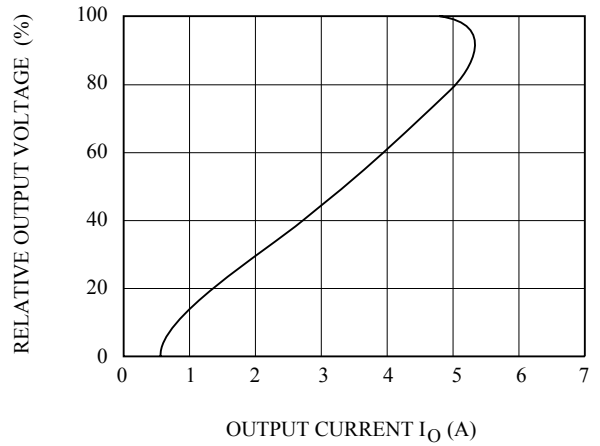


Fig.5-1  $T_j - \Delta V_O$  (KIA378R05)

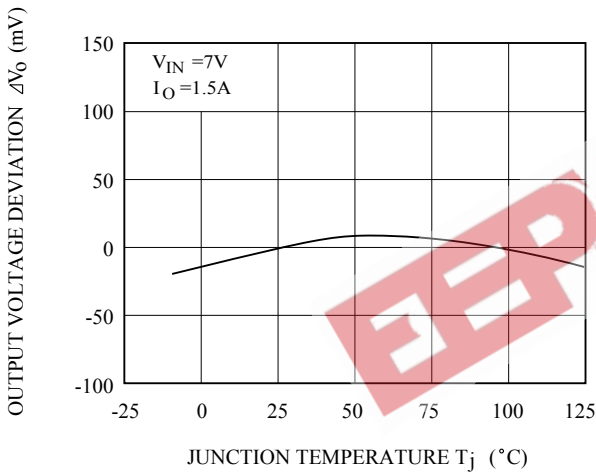


Fig.5-2  $T_j - \Delta V_O$  (KIA378R08)

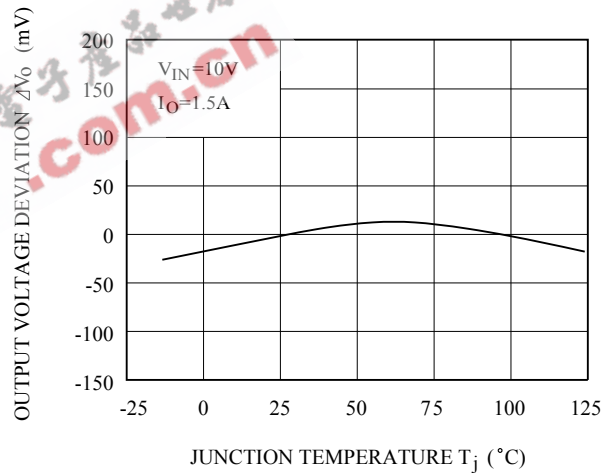


Fig.5-3  $T_j - \Delta V_O$  (KIA378R09)

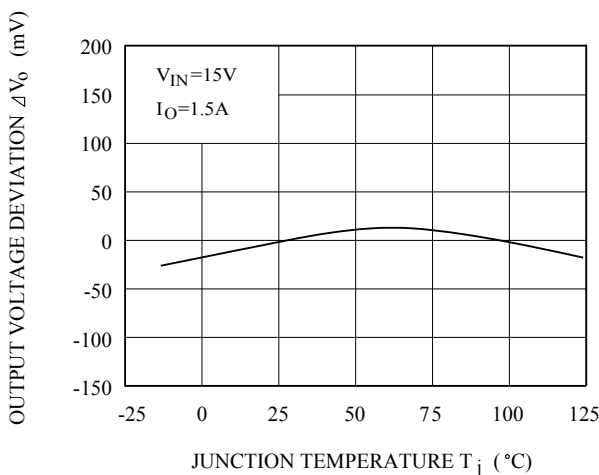
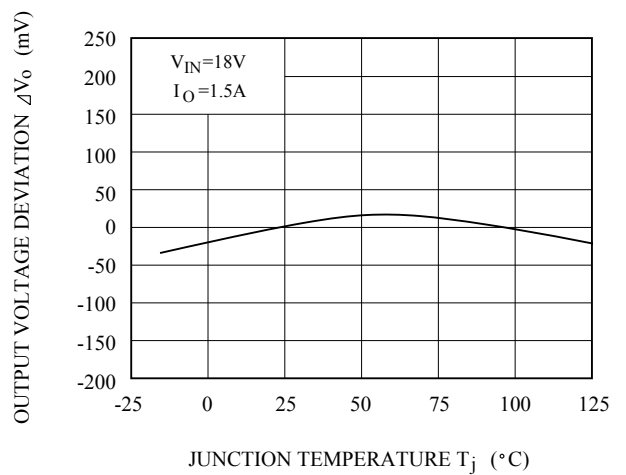


Fig.5-4  $T_j - \Delta V_O$  (KIA378R12)



# KIA378R05PI~KIA378R15PI

Fig.5-5  $T_j - \Delta V_o$  (KIA378R15)

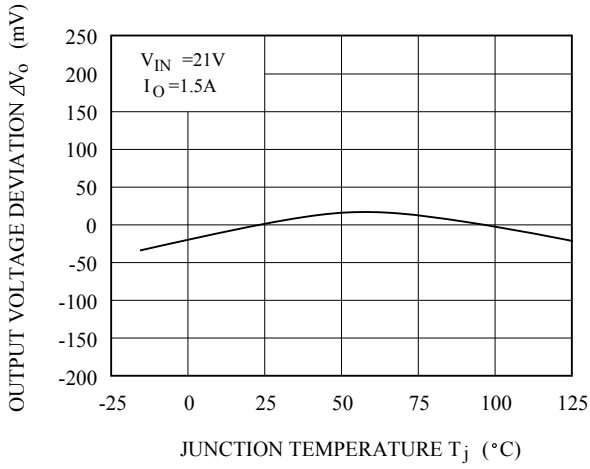


Fig.6-1  $V_{IN} - V_o$  (KIA378R05)

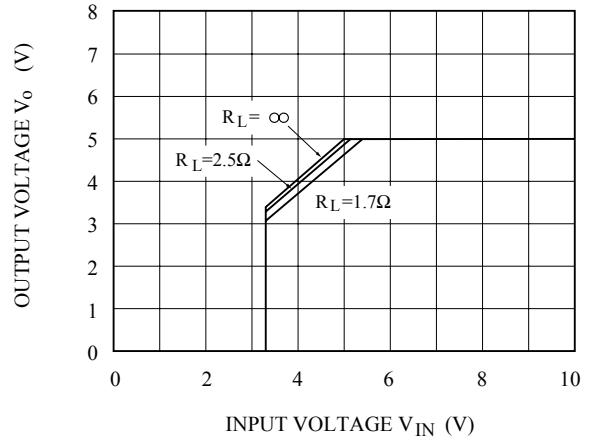


Fig.6-2  $V_{IN} - V_o$  (KIA378R08)

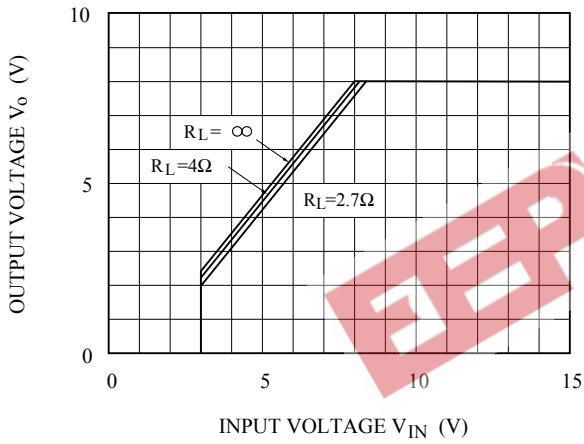


Fig.6-3  $V_{IN} - V_o$  (KIA378R09)

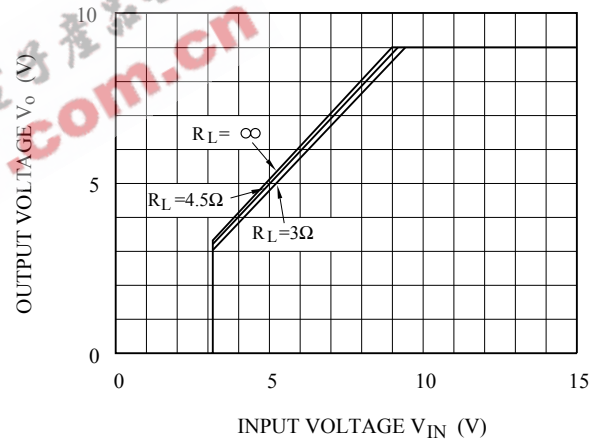


Fig.6-4  $V_{IN} - V_o$  (KIA378R12)

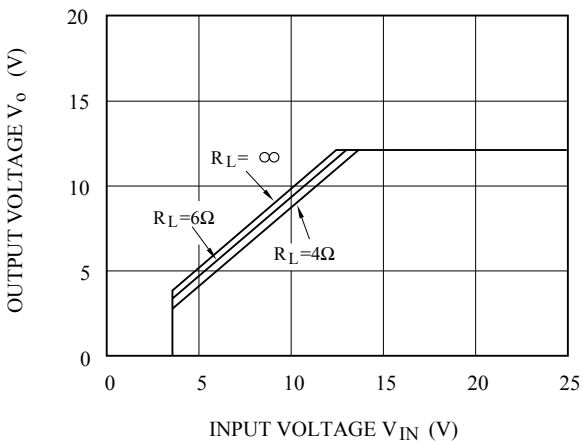
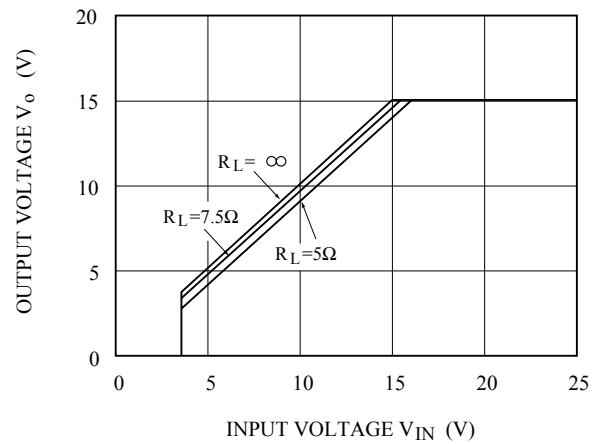


Fig.6-5  $V_{IN} - V_o$  (KIA378R15)



# KIA378R05PI~KIA378R15PI

Fig.7-1  $V_{IN} - I_{BIAS}$  (KIA378R05)

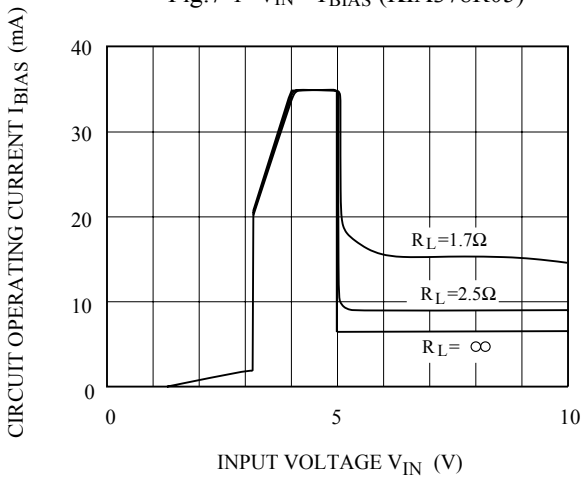


Fig.7-2  $V_{IN} - I_{BIAS}$  (KIA378R08)

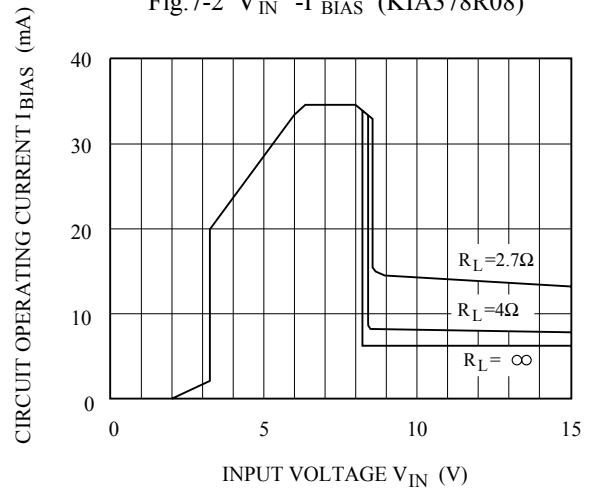


Fig.7-3  $V_{IN} - I_{BIAS}$  (KIA378R09)

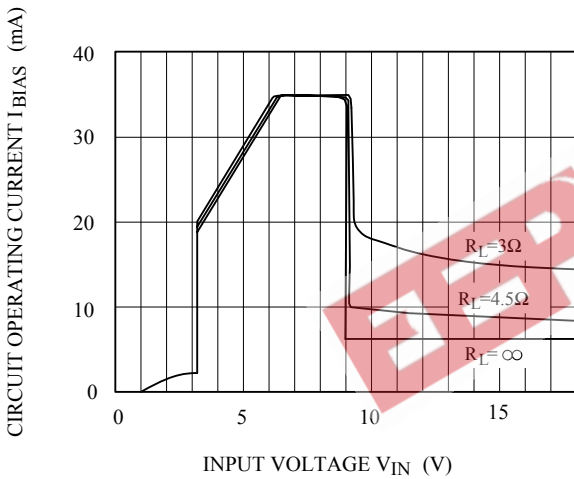


Fig.7-4  $V_{IN} - I_{BIAS}$  (KIA378R12)

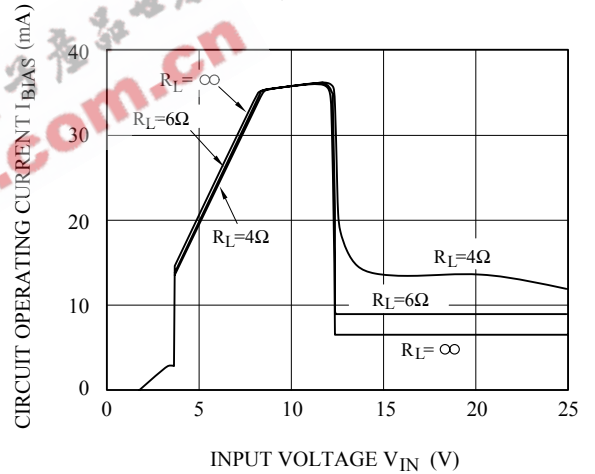


Fig.7-5  $V_{IN} - I_{BIAS}$  (KIA378R15)

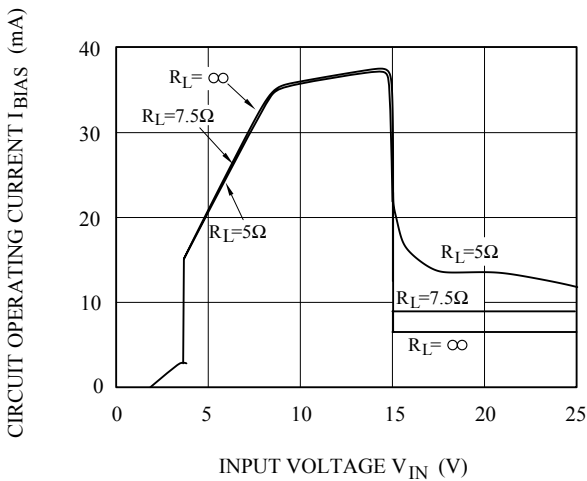
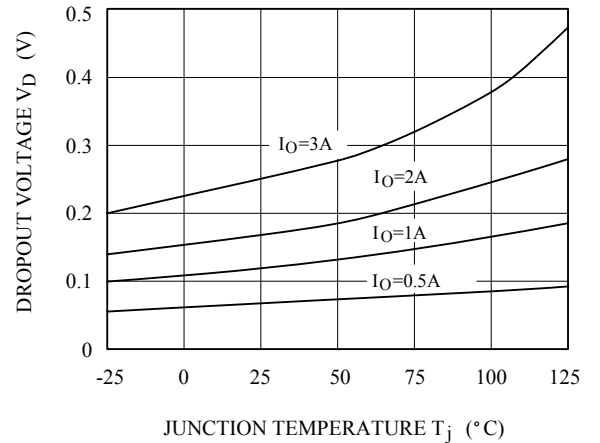


Fig.8  $T_j - V_D$



# KIA378R05PI~KIA378R15PI

Fig.9  $T_j - I_q$

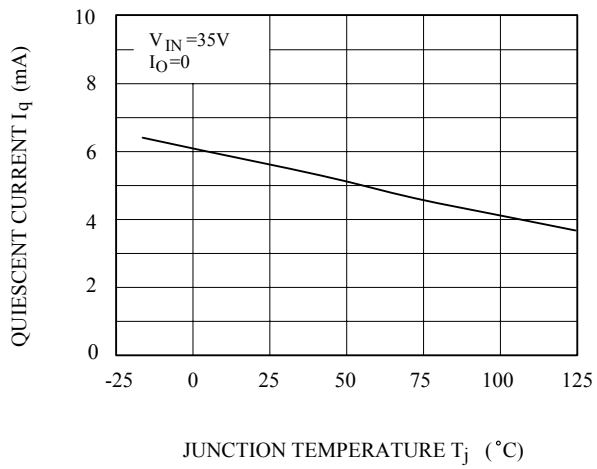


Fig. 10-1  $f - RR$

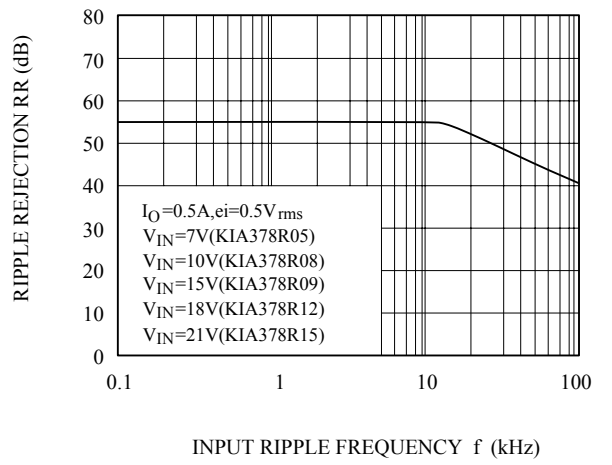


Fig.10-2  $I_O - RR$

