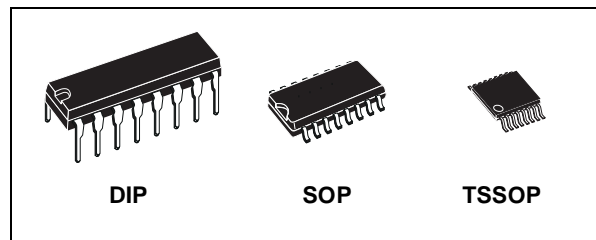




# M74HCT4052

## DUAL 4-CHANNEL ANALOG MULTIPLEXER/DEMULTIPLEXER

- **LOW POWER DISSIPATION:**  
 $I_{CC} = 4\mu A$  (MAX.) at  $T_A = 25^\circ C$
- **LOGIC LEVEL TRANSLATION TO ENABLE TTL LOGIC SIGNAL TO COMMUNICATE WITH  $\pm 5V$  ANALOG SIGNAL**
- **LOW "ON" RESISTANCE:**  
 $70\Omega$  TYP. ( $V_{CC} - V_{EE} = 4.5V$ )  
 $50\Omega$  TYP. ( $V_{CC} - V_{EE} = 9V$ )
- **WIDE ANALOG INPUT VOLTAGE RANGE:**  
 $\pm 6V$
- **FAST SWITCHING:**  
 $t_{pd} = 13ns$  (TYP.) at  $T_A = 25^\circ C$
- **LOW CROSSTALK BETWEEN SWITCHES**
- **HIGH ON/OFF OUTPUT VOLTAGE RATIO**
- **WIDE OPERATING SUPPLY VOLTAGE RANGE ( $V_{CC} - V_{EE}$ ) = 2V TO 12V**
- **LOW SINE WAVE DISTORTION:**  
 $0.02\%$  at  $V_{CC} - V_{EE} = 9V$
- **COMPATIBLE WITH TTL OUTPUTS:**  
 $V_{IH} = 2V$  (MIN.)  $V_{IL} = 0.8V$  (MAX.)
- **PIN AND FUNCTION COMPATIBLE WITH 74 SERIES 4052**



### ORDER CODES

PACKAGE	TUBE	T & R
DIP	M74HCT4052B1R	
SOP	M74HCT4052M1R	M74HCT4052RM13TR
TSSOP		M74HCT4052TTR

### DESCRIPTION

The M74HCT4052 is a dual four-channel analog MULTIPLEXER/DEMULTIPLEXER fabricated with silicon gate C<sup>2</sup>MOS technology and it is pin to pin compatible with the equivalent metal gate CMOS4000B series.

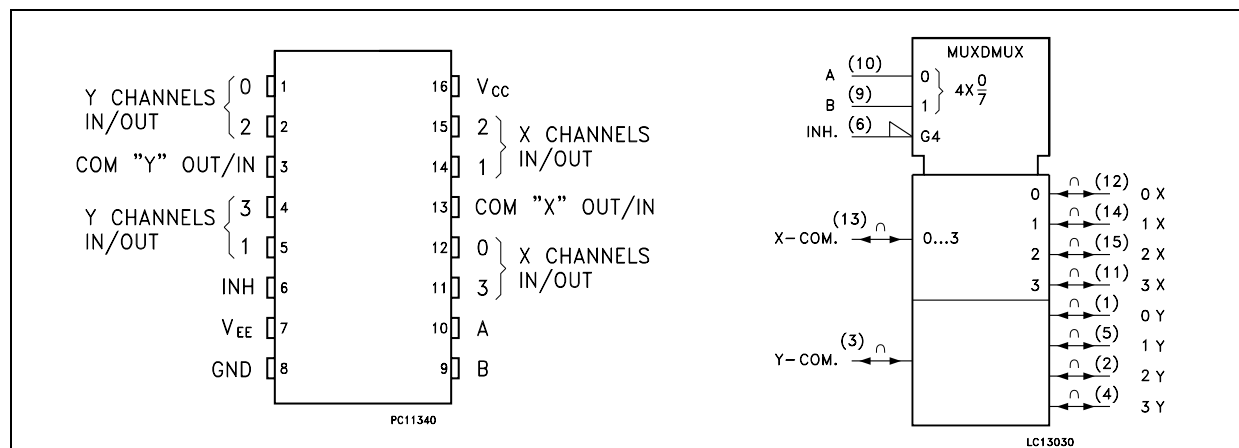
It contains 8 bidirectional and digitally controlled analog switches.

A built-in level shifting is included to allow an input range up to  $\pm 6V$  (peak) for an analog signal with digital control signal of 0 to 6V.

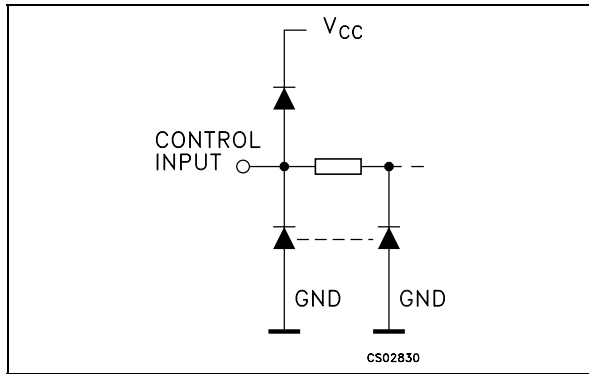
$V_{EE}$  supply pin is provided for analog input signals. It has an inhibit (INH) input terminal to disable all the switches when high, compatible with TTL output level. For operation as a digital multiplexer/demultiplexer,  $V_{EE}$  is connected to GND. A and B control inputs (TTL Compatible) select one channel out of four in each section.

All inputs are equipped with protection circuits against static discharge and transient excess voltage.

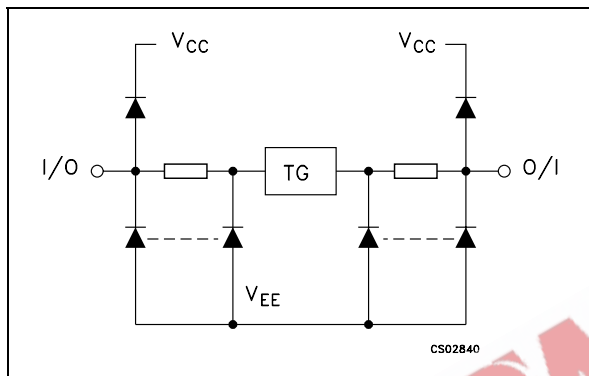
### PIN CONNECTION AND IEC LOGIC SYMBOLS



CONTROL INPUT EQUIVALENT CIRCUIT



I/O EQUIVALENT CIRCUIT



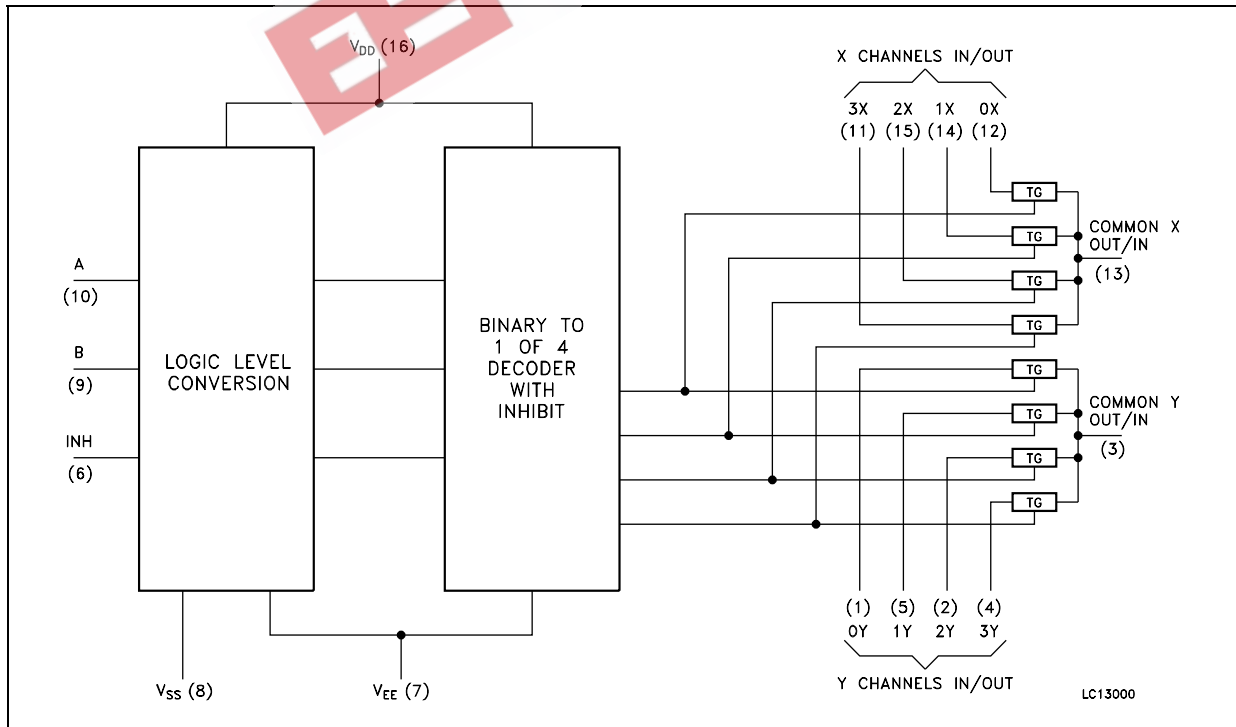
PIN DESCRIPTION

PIN No	SYMBOL	NAME AND FUNCTION
1, 5, 2, 4	0Y to 3Y	Independent Input Outputs
6	INH	INHIBIT Input
7	V <sub>EE</sub>	Negative Supply Voltage
10, 9	A, B	Select Inputs
12, 14, 15, 11	0X to 3X	Independent Input Outputs
3	COM Y OUT/IN	Common X Output/Input
13	COM Y OUT/IN	Common Y Output/Input
8	GND	Ground (0V)
16	V <sub>CC</sub>	Positive Supply Voltage

TRUTH TABLE

INPUT STATE			ON CHANNEL
INH	B	A	
L	L	L	0X, 0Y
L	L	H	1X, 1Y
L	H	L	2X, 2Y
L	H	H	3X, 3Y
H	X	X	NONE

FUNCTIONAL DIAGRAM



## ABSOLUTE MAXIMUM RATINGS

Symbol	Parameter	Value	Unit
$V_{CC}$	Supply Voltage	-0.5 to +7	V
$V_{CC} - V_{EE}$	Supply Voltage	-0.5 to +13	V
$V_I$	Control Input Voltage	-0.5 to $V_{CC} + 0.5$	V
$V_{I/O}$	Switch I/O Voltage	$V_{EE} - 0.5$ to $V_{CC} + 0.5$	V
$I_{CK}$	Control Input Diode Current	$\pm 20$	mA
$I_{I/OK}$	I/O Diode Current	$\pm 20$	mA
$I_T$	Switch Through Current	$\pm 25$	mA
$I_{CC}$ or $I_{GND}$	DC $V_{CC}$ or Ground Current	$\pm 50$	mA
$P_D$	Power Dissipation	500(*)	mW
$T_{stg}$	Storage Temperature	-65 to +150	°C
$T_L$	Lead Temperature (10 sec)	300	°C

Absolute Maximum Ratings are those values beyond which damage to the device may occur. Functional operation under these conditions is not implied.

(\*) 500mW at 65 °C; derate to 300mW by 10mW/°C from 65°C to 85°C

## RECOMMENDED OPERATING CONDITIONS

Symbol	Parameter	Value	Unit
$V_{CC}$	Supply Voltage	4.5 to 5.5	V
$V_{EE}$	Supply Voltage	-6 to 0	V
$V_{CC} - V_{EE}$	Supply Voltage	2 to 12	V
$V_I$	Input Voltage	0 to $V_{CC}$	V
$V_{I/O}$	I/O Voltage	$V_{EE}$ to $V_{CC}$	V
$T_{op}$	Operating Temperature	-55 to 125	°C
$t_r, t_f$	Input Rise and Fall Time	$V_{CC} = 4.5$ to $5.5V$	ns

## DC SPECIFICATIONS

Symbol	Parameter	Test Condition			Value						Unit	
		V <sub>CC</sub> (V)	V <sub>EE</sub> (V)		T <sub>A</sub> = 25°C			-40 to 85°C		-55 to 125°C		
					Min.	Typ.	Max.	Min.	Max.	Min.		Max.
V <sub>IHC</sub>	High Level Input Voltage	4.5 to 5.5			2.0			2.0		2.0		V
V <sub>ILC</sub>	Low Level Input Voltage	4.5 to 5.5					0.8		0.8		0.8	V
R <sub>ON</sub>	ON Resistance	4.5	GND	V <sub>I</sub> = V <sub>IHC</sub> or V <sub>ILC</sub> V <sub>I/O</sub> = V <sub>CC</sub> to V <sub>EE</sub> I <sub>I/O</sub> ≤ 2mA		85	180		225		270	Ω
		4.5	-4.5			55	120		150		180	
		4.5	GND	V <sub>I</sub> = V <sub>IHC</sub> or V <sub>ILC</sub> V <sub>I/O</sub> = V <sub>CC</sub> or V <sub>EE</sub> I <sub>I/O</sub> ≤ 2mA		70	150		190		230	
		4.5	-4.5			50	100		125		150	
ΔR <sub>ON</sub>	Difference of ON Resistance between switches	4.5	GND	V <sub>I</sub> = V <sub>IHC</sub> or V <sub>ILC</sub> V <sub>I/O</sub> = V <sub>CC</sub> or V <sub>EE</sub> I <sub>I/O</sub> ≤ 2mA		10	30		35		45	Ω
		4.5	-4.5			5	12		15		18	
I <sub>OFF</sub>	Input/Output Leakage Current (SWITCH OFF)	5.5	GND	V <sub>OS</sub> = V <sub>CC</sub> or GND V <sub>IS</sub> = GND or V <sub>CC</sub> V <sub>I</sub> = V <sub>ILC</sub> or V <sub>IHC</sub>			±0.06		±0.6		±1.0	μA
		5.5	-6.0				±0.1		±1		±1	
I <sub>IZ</sub>	Switch Input Leakage Current (SWITCH ON, OUTPUT OPEN)	5.5	GND	V <sub>OS</sub> = V <sub>CC</sub> or GND V <sub>I</sub> = V <sub>IHC</sub> or V <sub>ILC</sub>			±0.06		±0.6		±1.0	μA
		5.5	-6.0				±0.1		±1		±1	
I <sub>I</sub>	Input Leakage Current	5.5	GND	V <sub>I</sub> = V <sub>CC</sub> or GND			±0.1		±0.1		±1	μA
I <sub>CC</sub>	Quiescent Supply Current	5.5	GND	V <sub>I</sub> = V <sub>CC</sub> or GND			4		40		80	μA
		5.5	-6.0				8		80		160	
ΔI <sub>CC</sub>	Additional Quiescent Supply Current per input pin	4.5 to 5.5	GND	V <sub>I</sub> = V <sub>CC</sub> - 2.1V other input at V <sub>CC</sub> or GND		100	360		450		490	μA

AC ELECTRICAL CHARACTERISTICS ( $C_L = 50 \text{ pF}$ , Input  $t_r = t_f = 6 \text{ ns}$ )

Symbol	Parameter	Test Condition			Value						Unit	
		$V_{CC}$ (V)	$V_{EE}$ (V)		$T_A = 25^\circ\text{C}$			$-40 \text{ to } 85^\circ\text{C}$		$-55 \text{ to } 125^\circ\text{C}$		
					Min.	Typ.	Max.	Min.	Max.	Min.		Max.
$\Phi_{I/O}$	Phase Difference Between Input and Output	4.5	GND	$C_L = 50 \text{ pF}$		5	12		15		18	ns
		4.5	-4.5			4	8		10		12	
$t_{PZL}$ $t_{PZH}$	Output Enable Time	4.5	GND	$R_L = 1 \text{ K}\Omega$		13	45		56		68	ns
		4.5	-4.5	$C_L = 50 \text{ pF}$		11	34		43		51	
$t_{PLZ}$ $t_{PHZ}$	Output Disable Time	4.5	GND	$R_L = 1 \text{ K}\Omega$		25	38		48		58	ns
		4.5	-4.5	$C_L = 50 \text{ pF}$		19	31		39		47	

## CAPACITANCE CHARACTERISTICS

Symbol	Parameter	Test Condition			Value						Unit	
		$V_{CC}$ (V)	$V_{EE}$ (V)		$T_A = 25^\circ\text{C}$			$-40 \text{ to } 85^\circ\text{C}$		$-55 \text{ to } 125^\circ\text{C}$		
					Min.	Typ.	Max.	Min.	Max.	Min.		Max.
$C_{IN}$	Input Capacitance	5.0				5	10		10		10	pF
$C_{I/O}$	Common Terminal Capacitance	5.0	-5.0			11	20		20		20	pF
$C_{I/O}$	Switch Terminal Capacitance	5.0	-5.0			7	15		15		15	pF
$C_{IOS}$	Feed Through Capacitance	5.0	-5.0			0.75	2		2		2	pF
$C_{PD}$	Power Dissipation Capacitance (note 1)	5.0	GND			67						pF

1)  $C_{PD}$  is defined as the value of the IC's internal equivalent capacitance which is calculated from the operating current consumption without load. (Refer to Test Circuit). Average operating current can be obtained by the following equation.  $I_{CC(opr)} = C_{PD} \times V_{CC} \times f_{IN} + I_{CC}$

## M74HCT4052

### ANALOG SWITCH CHARACTERISTICS (GND = 0V; T<sub>A</sub> = 25°C)

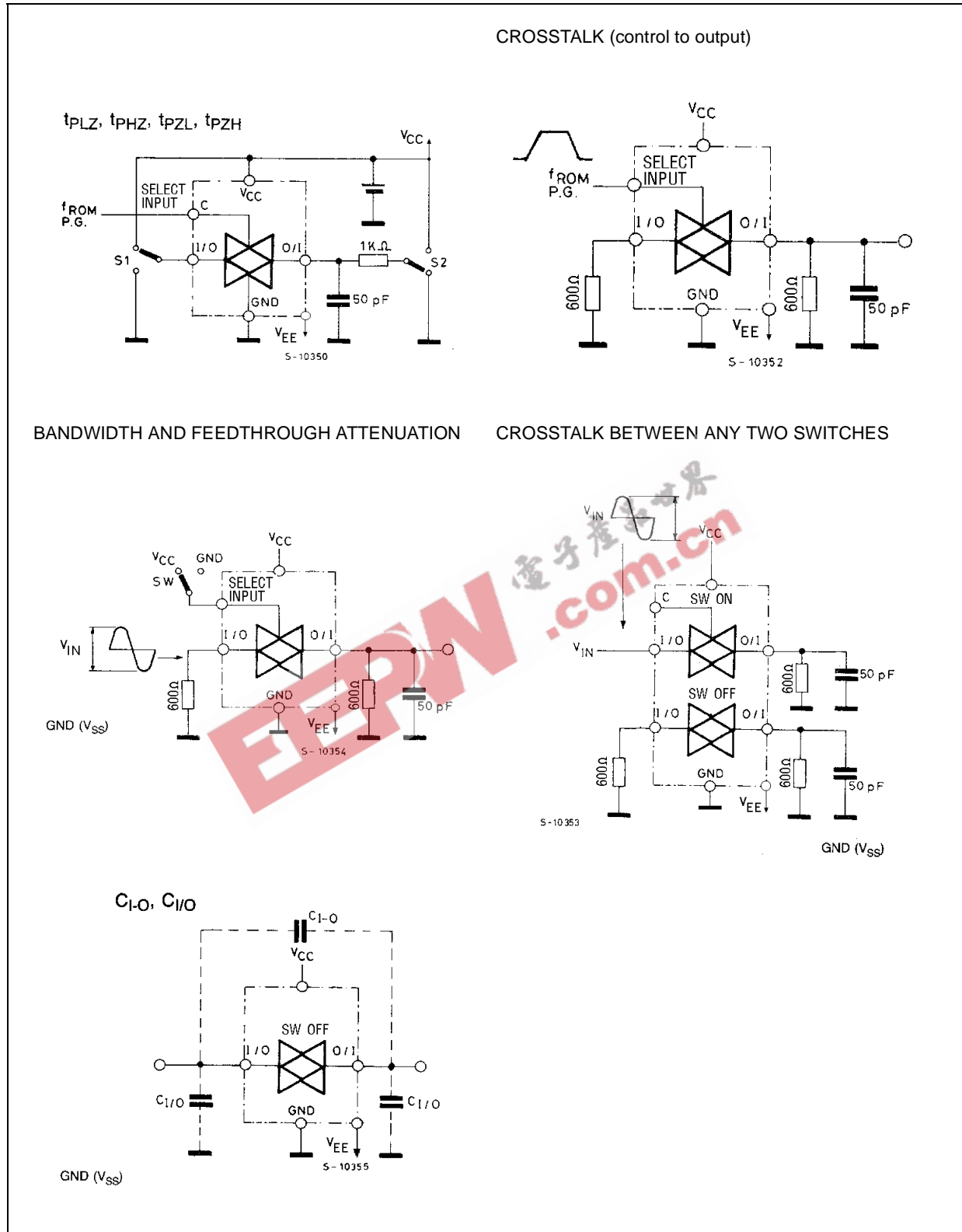
Symbol	Parameter	Test Condition			Value	Unit	
		V <sub>CC</sub> (V)	V <sub>EE</sub> (V)	V <sub>IN</sub> (V <sub>p-p</sub> )			
	Sine Wave Distortion	2.25	-2.25	4	f <sub>IN</sub> = 1 KHz R <sub>L</sub> = 10 KΩ, C <sub>L</sub> = 50 pF	0.025	%
		4.5	-4.5	8		0.020	
	Sine Wave Distortion	2.25	-2.25	4	f <sub>IN</sub> = 10 KHz R <sub>L</sub> = 10 KΩ, C <sub>L</sub> = 50 pF	0.12	%
		4.5	-4.5	8		0.06	
f <sub>MAX</sub>	Frequency Response (Switch ON) (*)	2.25	-2.25	Adjust f <sub>IN</sub> voltage to obtain 0 dBm at V <sub>OS</sub> . Increase f <sub>IN</sub> Frequency until dB meter reads -3dB R <sub>L</sub> = 50Ω, C <sub>L</sub> = 10 pF, f <sub>IN</sub> = 1KHz sine wave	120	MHz	
		4.5	-4.5		190		
f <sub>MAX</sub>	Frequency Response (Switch ON) (**)	2.25	-2.25	Adjust f <sub>IN</sub> voltage to obtain 0 dBm at V <sub>OS</sub> . Increase f <sub>IN</sub> Frequency until dB meter reads -3dB R <sub>L</sub> = 50Ω, C <sub>L</sub> = 10 pF, f <sub>IN</sub> = 1KHz sine wave	95	MHz	
		4.5	-4.5		150		
		6.0	-6.0				
	Feed through Attenuation (Switch OFF)	2.25	-2.25	V <sub>IN</sub> is centered at (V <sub>CC</sub> - V <sub>EE</sub> )/2 Adjust input for 0 dBm R <sub>L</sub> = 600Ω, C <sub>L</sub> = 50 pF, f <sub>IN</sub> = 1MHz sine wave	-50	dB	
		4.5	-4.5		-50		
	Crosstalk (Control Input to Signal Output)	4.5	0	Adjust R <sub>L</sub> at set up so that I <sub>S</sub> = 0A. R <sub>L</sub> = 600Ω, C <sub>L</sub> = 50 pF, f <sub>IN</sub> = 1MHz square wave between V <sub>CC</sub> and GND tr=tf= 6 ns	60	mV	
		4.5	-4.5		140		
	Crosstalk (between any two switches)	2.25	-2.25	Adjust V <sub>IN</sub> to obtain 0dBm at input R <sub>L</sub> = 600Ω, C <sub>L</sub> = 50 pF, f <sub>IN</sub> = 1MHz sine wave	-50	dB	
		4.5	-4.5		-50		

(\*) Input COMMON Terminal, and measured at SWITCH Terminal

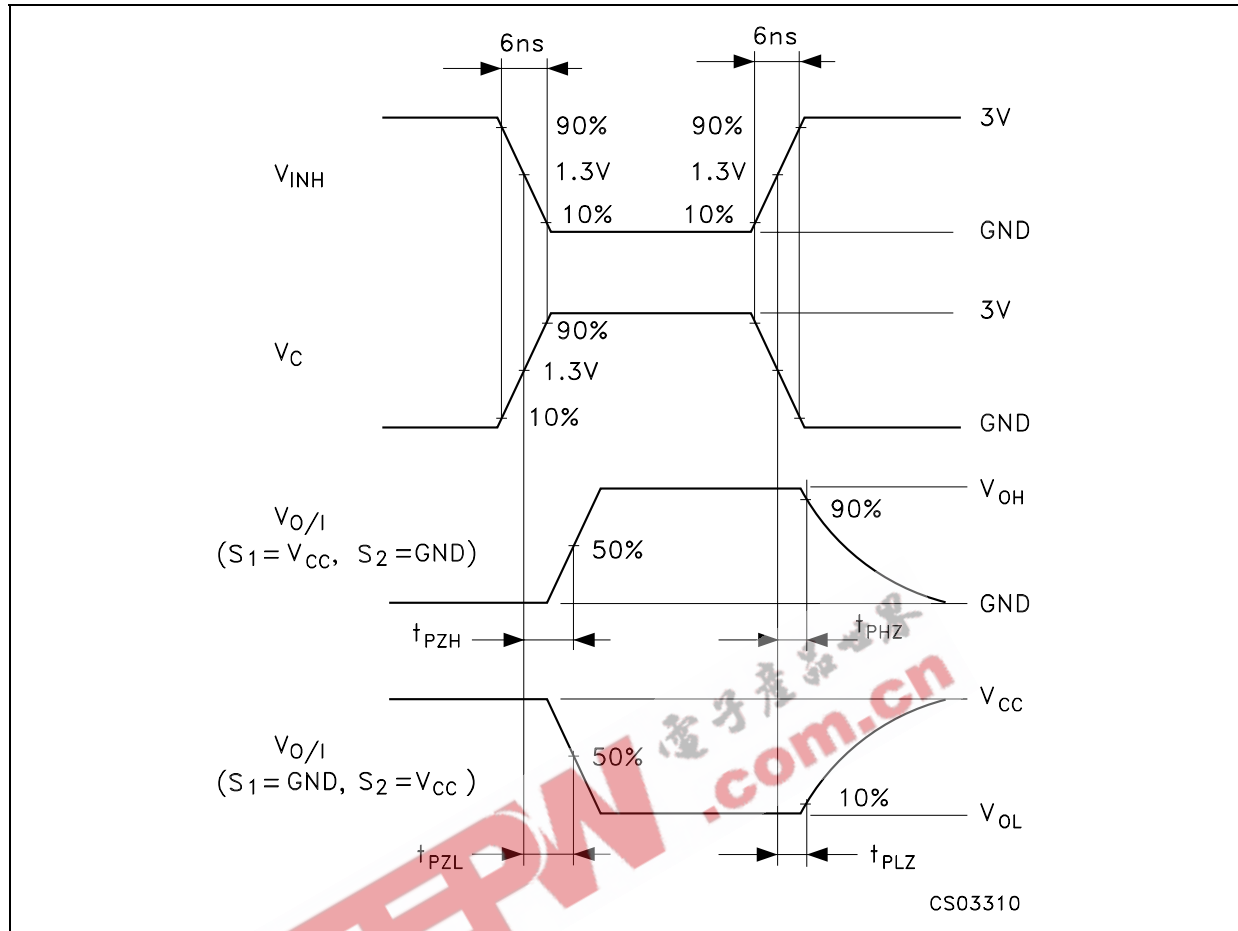
(\*\*) Input SWITCH Terminal, and measured at common Terminal

NOTE: These characteristics are determined by the design of the device.

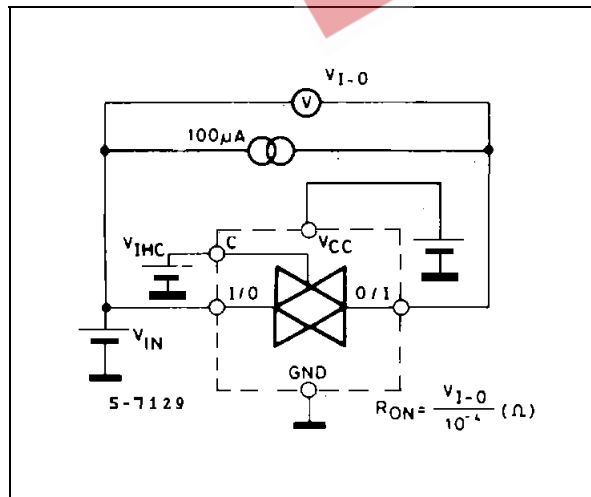
SWITCHING CHARACTERISTICS TEST CIRCUIT



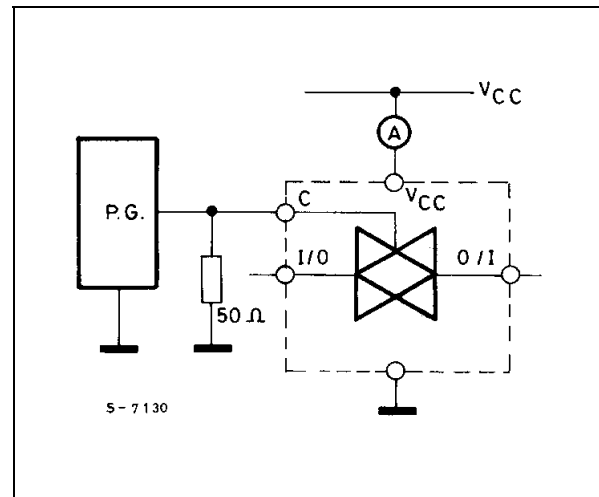
SWITCHING CHARACTERISTICS WAVEFORM



CHANNEL RESISTANCE ( $R_{ON}$ )



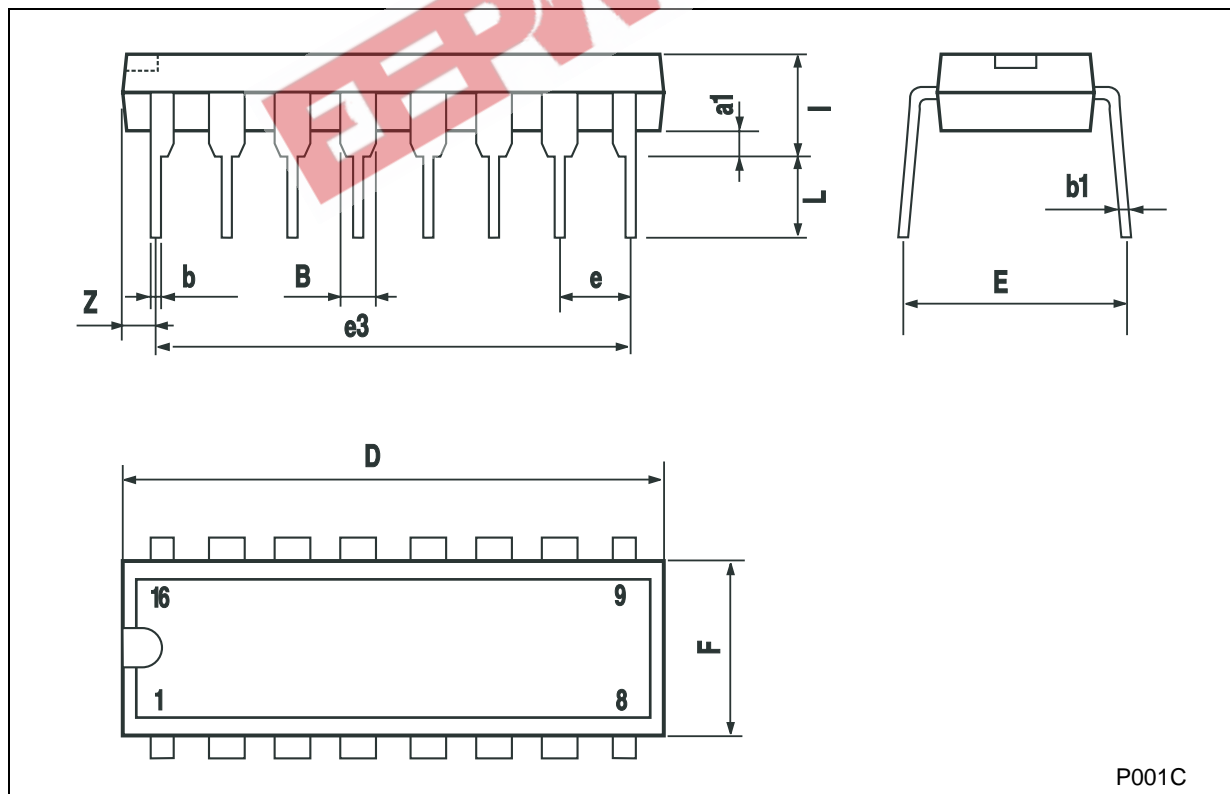
$I_{CC}$  (Opr.)





## Plastic DIP-16 (0.25) MECHANICAL DATA

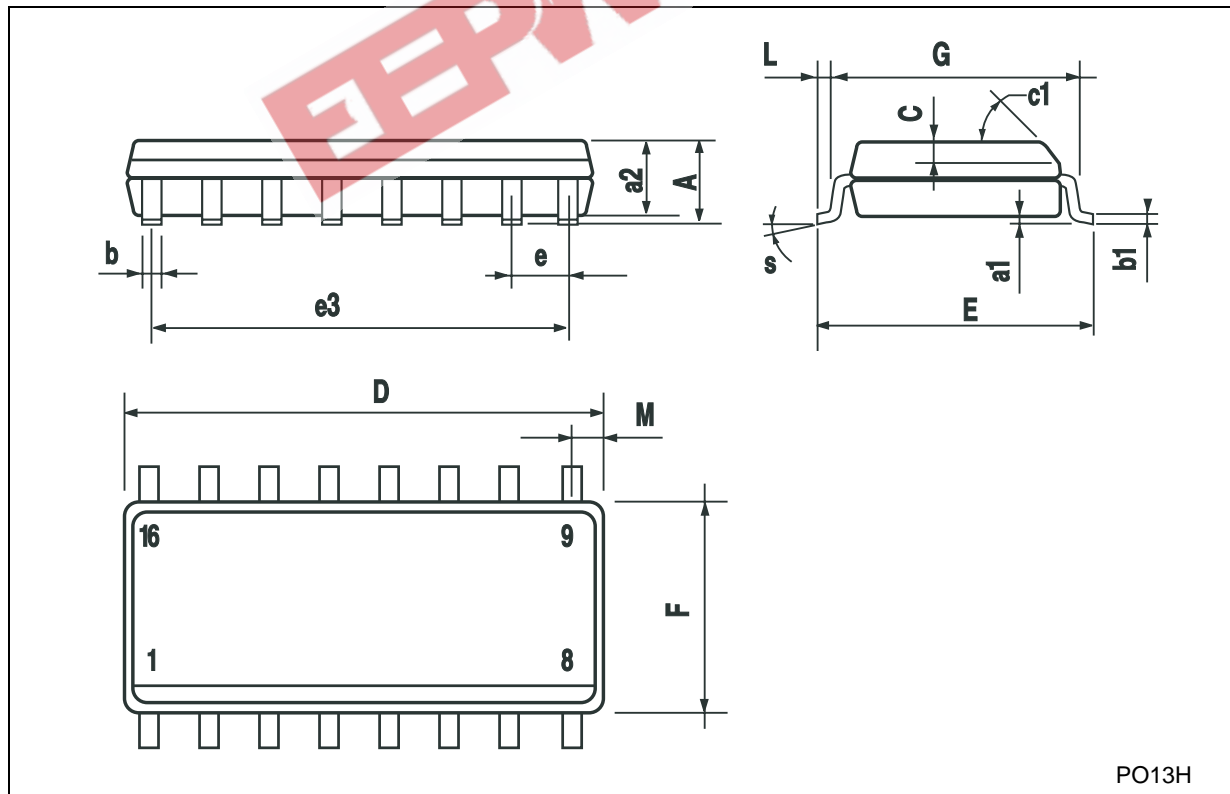
DIM.	mm.			inch		
	MIN.	TYP	MAX.	MIN.	TYP.	MAX.
a1	0.51			0.020		
B	0.77		1.65	0.030		0.065
b		0.5			0.020	
b1		0.25			0.010	
D			20			0.787
E		8.5			0.335	
e		2.54			0.100	
e3		17.78			0.700	
F			7.1			0.280
I			5.1			0.201
L		3.3			0.130	
Z			1.27			0.050



P001C

## SO-16 MECHANICAL DATA

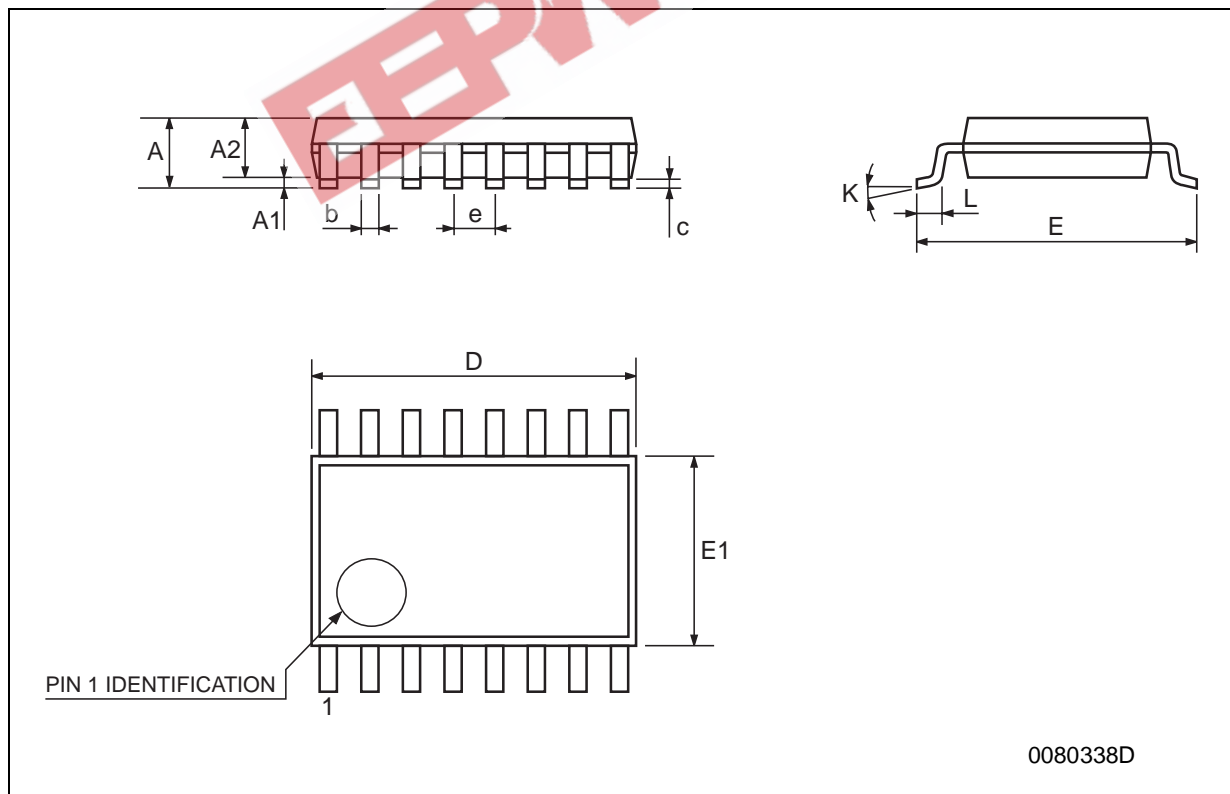
DIM.	mm.			inch		
	MIN.	TYP.	MAX.	MIN.	TYP.	MAX.
A			1.75			0.068
a1	0.1		0.2	0.004		0.008
a2			1.65			0.064
b	0.35		0.46	0.013		0.018
b1	0.19		0.25	0.007		0.010
C		0.5			0.019	
c1	45° (typ.)					
D	9.8		10	0.385		0.393
E	5.8		6.2	0.228		0.244
e		1.27			0.050	
e3		8.89			0.350	
F	3.8		4.0	0.149		0.157
G	4.6		5.3	0.181		0.208
L	0.5		1.27	0.019		0.050
M			0.62			0.024
S	8			° (max.)		



PO13H

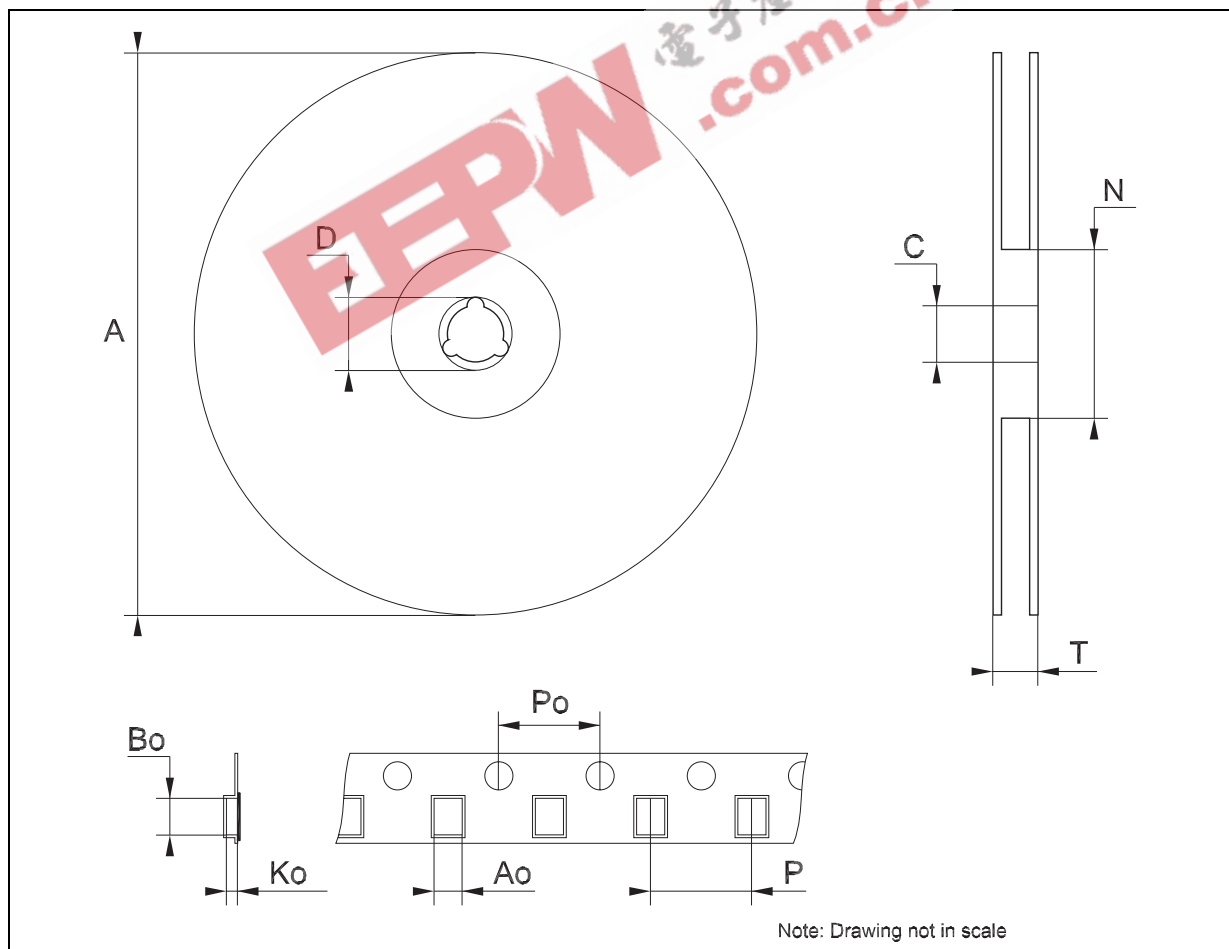
## TSSOP16 MECHANICAL DATA

DIM.	mm.			inch		
	MIN.	TYP	MAX.	MIN.	TYP.	MAX.
A			1.2			0.047
A1	0.05		0.15	0.002	0.004	0.006
A2	0.8	1	1.05	0.031	0.039	0.041
b	0.19		0.30	0.007		0.012
c	0.09		0.20	0.004		0.0079
D	4.9	5	5.1	0.193	0.197	0.201
E	6.2	6.4	6.6	0.244	0.252	0.260
E1	4.3	4.4	4.48	0.169	0.173	0.176
e		0.65 BSC			0.0256 BSC	
K	0°		8°	0°		8°
L	0.45	0.60	0.75	0.018	0.024	0.030



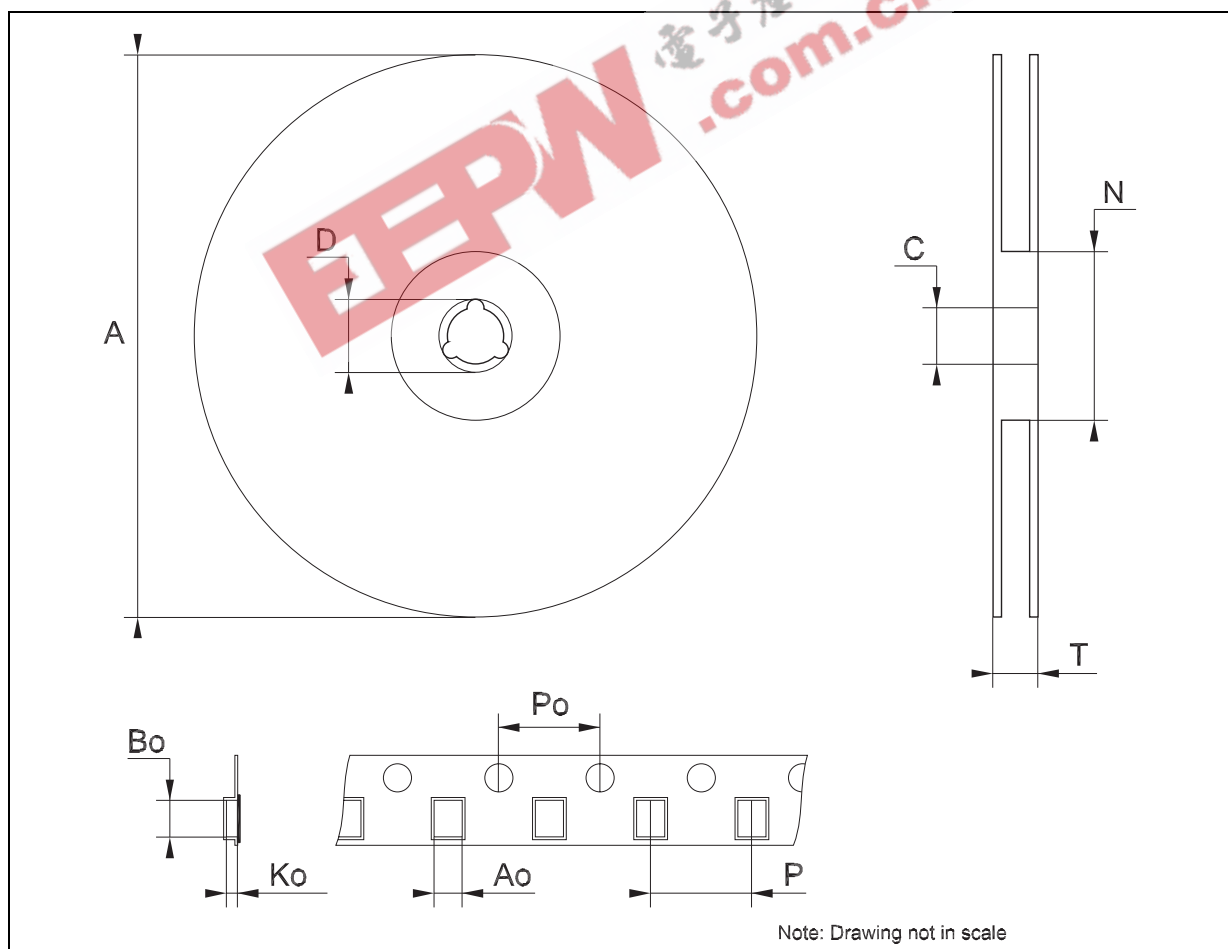
## Tape &amp; Reel SO-16 MECHANICAL DATA

DIM.	mm.			inch		
	MIN.	TYP	MAX.	MIN.	TYP.	MAX.
A			330			12.992
C	12.8		13.2	0.504		0.519
D	20.2			0.795		
N	60			2.362		
T			22.4			0.882
Ao	6.45		6.65	0.254		0.262
Bo	10.3		10.5	0.406		0.414
Ko	2.1		2.3	0.082		0.090
Po	3.9		4.1	0.153		0.161
P	7.9		8.1	0.311		0.319



## Tape &amp; Reel TSSOP16 MECHANICAL DATA

DIM.	mm.			inch		
	MIN.	TYP	MAX.	MIN.	TYP.	MAX.
A			330			12.992
C	12.8		13.2	0.504		0.519
D	20.2			0.795		
N	60			2.362		
T			22.4			0.882
Ao	6.7		6.9	0.264		0.272
Bo	5.3		5.5	0.209		0.217
Ko	1.6		1.8	0.063		0.071
Po	3.9		4.1	0.153		0.161
P	7.9		8.1	0.311		0.319



EEPW 电子产品世界  
.com.cn

Information furnished is believed to be accurate and reliable. However, STMicroelectronics assumes no responsibility for the consequences of use of such information nor for any infringement of patents or other rights of third parties which may result from its use. No license is granted by implication or otherwise under any patent or patent rights of STMicroelectronics. Specifications mentioned in this publication are subject to change without notice. This publication supersedes and replaces all information previously supplied. STMicroelectronics products are not authorized for use as critical components in life support devices or systems without express written approval of STMicroelectronics.

© The ST logo is a registered trademark of STMicroelectronics

© 2003 STMicroelectronics - Printed in Italy - All Rights Reserved  
STMicroelectronics GROUP OF COMPANIES

Australia - Brazil - Canada - China - Finland - France - Germany - Hong Kong - India - Israel - Italy - Japan - Malaysia - Malta - Morocco  
Singapore - Spain - Sweden - Switzerland - United Kingdom - United States.

© <http://www.st.com>