

C&K W Series 4 & 6 Tumbler Switchlocks



Features/Benefits

- International listings
- Quick connect termination
- Wire leads and harnesses available

Typical Applications

- Business machines
- Point-of-sale terminals
- Computers



Specifications

CONTACT RATING: 4 AMPS @ 125 V AC; 2 AMPS @ 250 V AC (UL/CSA). 2 AMPS @ 125 V AC; 1 AMP @ 250 V AC T65 (VDE).
 ELECTRICAL LIFE: 10,000 make-and-break cycles at full load.
 CONTACT RESISTANCE: Below 10 m Ω typ. initial @ 2-4 V DC, 100 mA, for both silver and gold plated contacts.
 INSULATION RESISTANCE: 10⁹ Ω min.
 DIELECTRIC STRENGTH: 1,000 Vrms min. @ sea level.
 INDEXING: 45°, 2-4 positions. 90°, 2 positions.

Materials

LOCK: Zinc alloy with with stainless steel facing (4 tumbler single bitted lock and 6 tumbler tubular lock).
 KEYS: Two nickel plated brass keys with code number (4 tumbler lock). Two die cast chrome plated zinc alloy keys (6 tumbler lock).
 SWITCH HOUSING: Glass filled 6/6 nylon (UL 94V-0).
 CONTACTS & TERMINALS: Copper, silver plated.
 MOUNTING NUT: Zinc alloy
 LOCKING RING: 6/6 nylon (UL 94V-2).

NOTE: Any models supplied with Q contact material are RoHS compliant. For the latest information regarding RoHS compliance, please go to: www.ittcannon.com/rohs.

NOTE: Specifications and materials listed above are for switchlocks with standard options. For information on specific and custom switchlocks, consult Customer Service Center.

Build-A-Switch

To order, simply select desired option from each category and place in the appropriate box. Available options are shown and described on pages M-45 thru M-47. For additional options not shown in catalog, consult Customer Service Center.

Switch and Lock Function

W20113 DP, 90° Index, keypull pos. 1

W20013 DP, 45° Index, keypull pos. 1

W10113 SP, 90° Index, keypull pos. 1

W1011U SP, 90° Index, keypull pos. 1 & 2

Keying

2 Two nickel plated brass keys (4 tumbler) or two die cast zinc alloy keys with chrome plating (6 tumbler)

T One nickel plated brass key with plastic insert molded square head and one nickel plated brass key

Lock Type

C 4 Tumbler lock with detent

V 6 Tumbler tubular lock with snap-on switch

Lock Finish

2 Stainless steel facing (With 6 tumbler lock) Stainless steel facing

8 Gloss black facing

Terminations

05 Quick connect

WC Wire lead

Mounting/Lock Style

A With nut

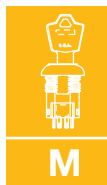
Contact Material

Q Silver

Key Color

NONE Nickel plated brass (4 tumbler) or chrome plated zinc alloy (6 tumbler)

2 Black



Switchlock



Dimensions are shown: Inch (mm)
 Specifications and dimensions subject to change

C&K W Series 4 & 6 Tumbler Switchlocks

SWITCH AND LOCK FUNCTION



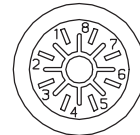
NO. TUMBLERS	NO. POLES	MODEL NO.	CONNECTED TERMINALS				KEY PULL POSITIONS	LOCK CONFIGURATION	INDEXING
			POS. 1	POS. 2	POS. 3	POS. 4			
4 & 6	DP	W20013	8-1, 4-5	1-2, 5-6	2-3, 6-7		Position 1		45°
4 & 6	SP DP	W10113 W20113	8-1 8-1, 4-5	2-3 2-3, 6-7			Position 1		90°
4 & 6	SP	W1011U	8-1	2-3			Positions 1 & 2		

All models with all options, see page M-47.

LEGEND

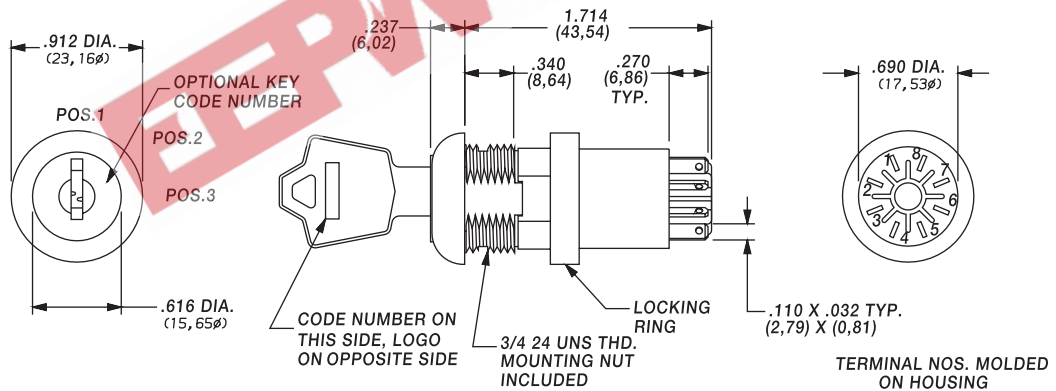
- = Detent Positions (45° or 90°)
- ⊙ = Key pull possible in these positions.
- = Stop Positions

TERMINAL NUMBERS



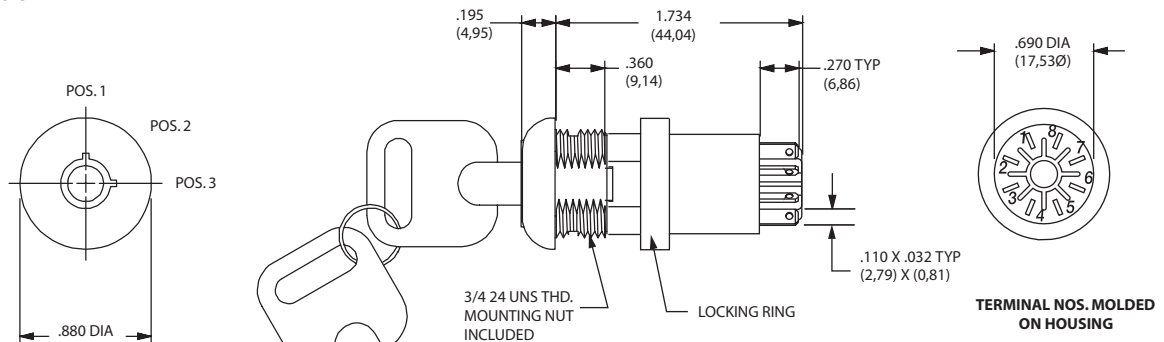
Terminal numbers molded on housing.

4 Tumbler



Part number shown: W201132C205AQ

6 Tumbler



Part number shown: W201132V205AQ



Dimensions are shown: Inch (mm)
Specifications and dimensions subject to change

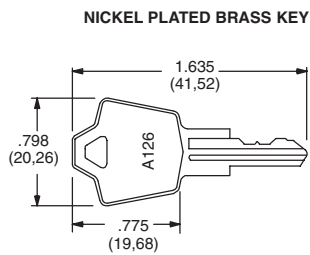
C&K W Series 4 & 6 Tumbler Switchlocks



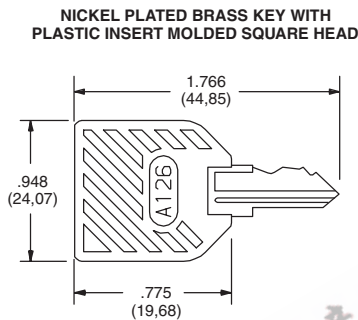
OPTION CODE	KEY OPTIONS	CODE NO. ON KEY	CODE NO. ON LOCK
2	2 NICKEL PLATED BRASS KEYS (4 TUMBLER) OR 2 DIE CAST CHROME PLATED ZINC ALLOY KEYS (6 TUMBLER)	YES	NO
T	1 NICKEL PLATED BRASS KEY WITH PLASTIC INSERT MOLDED SQUARE HEAD & 1 NICKEL PLATED BRASS KEY	YES	NO

OPTION CODE	KEY COLOR
NONE	NICKEL PLATED BRASS (4 TUMBLER) OR CHROME PLATED ZINC ALLOY (6 TUMBLER)
2	BLACK

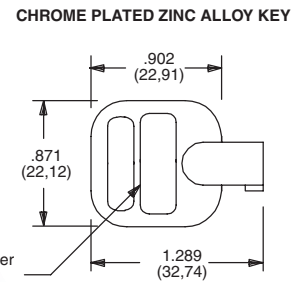
NOTE: All orders keyed alike, standard. For more than one key code, replacement keys, or other special features, consult Customer Service Center.



Key part number: 115140126



Key part number: 11599112602

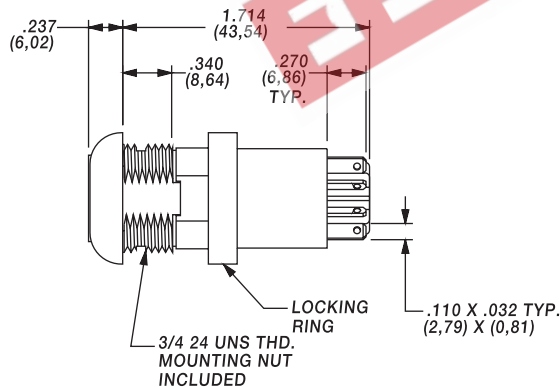


Key part number: 363C1AAAA

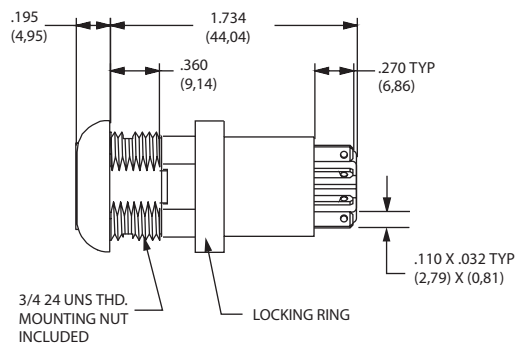
NOTE: Key head shape subject to change without notice.

LOCK TYPE

C 4 TUMBLER LOCK WITH ADDED DETENT



V 6 TUMBLER TUBULAR LOCK



Switchlock
M

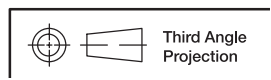
LOCK FINISH

2 STAINLESS STEEL FACING

8 GLOSS BLACK FACING



Available with V lock type only.

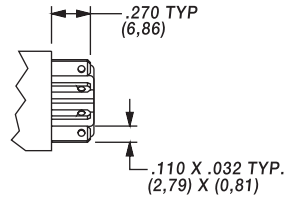


Dimensions are shown: Inch (mm)
Specifications and dimensions subject to change

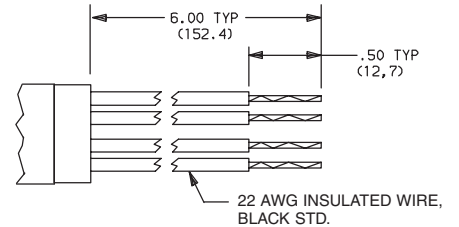
C&K W Series 4 & 6 Tumbler Switchlocks

TERMINATIONS

05 QUICK CONNECT



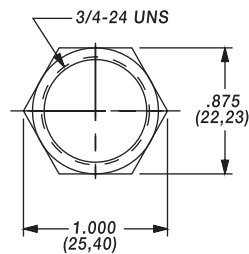
WC WIRE LEAD



NOTE: Other colors and lengths available, consult Customer Service Center. UL style 1015.

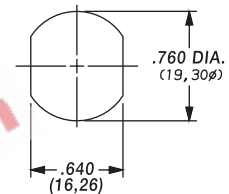
MOUNTING/LOCK STYLE

A WITH NUT



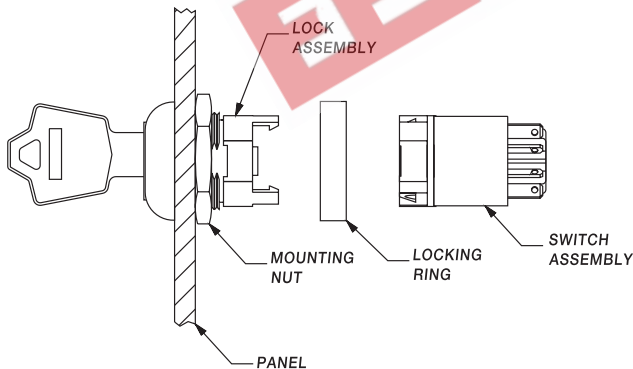
Nut part number: 175050700

PANEL MOUNTING



OPTION CODE	MOUNTING STYLE	PANEL THICKNESS
A	(STD.) WITH NUT	.195 (4,95) max.

Switch and Lock Assembly Instructions



1. Place lock assembly in mounting hole on panel, secure with mounting nut.
2. Place locking ring on lock assembly.
3. Align keying tab on switch assembly with keying slot on lock assembly.
4. Snap assemblies together.
5. Slide locking ring over junction of lock and switch assemblies.
6. Switch installation is permanent. Switch cannot be removed from lock after assembly. Attempting to separate switch and lock may cause damage to switchlock.

CONTACT MATERIAL

OPTION CODE	RoHS COMPLIANT*	RoHS COMPATIBLE*	CONTACT AND TERMINAL MATERIAL	RATING	
				POWER	4 AMPS @ 125 V AC; 2 AMPS @ 250 V AC (UL/CSA). 2 AMPS @ 125 V AC; 1 AMP @ 250 V AC, T65 (VDE).
Q	YES	YES	SILVER ¹		

* Note: See Technical Data section of this catalog for RoHS compliant and compatible definitions and specifications.

¹ CONTACTS & TERMINALS: Copper, silver plated (standard with all termination options). All models with all options.



Third Angle Projection
Dimensions are shown: Inch (mm)
Specifications and dimensions subject to change

C&K W Series 4 & 6 Tumbler Switchlocks

AVAILABLE HARDWARE



Key Code: A126
PART NO. (ONE KEY)
115140126
Material: Brass
Finish: Nickel plate



Key Code: A126
PART NO. (ONE KEY)
1159112602 BLACK
Material: Brass
Finish: Nickel plate
6/6 Nylon insert molded head



Key Code: AAAA
PART NO. (ONE KEY)
363C1AAAA
Material: Zinc Alloy
Finish: Chrome plate

EEPW 电子产品世界 .com.cn



M

Switchlock



Third Angle
Projection

Dimensions are shown: Inch (mm)
Specifications and dimensions subject to change