

C&K YL Series 4 & 6 Tumbler Camlocks

Features/Benefits

- **Cost-effective security**

Typical Applications

- **Office furniture**
- **Copy machines**



Specifications

INDEXING: 90°: 2 positions

NOTE: For the latest information regarding RoHS compliance, please go to: www.ittcannon.com/rohs.

NOTE: Specifications and materials listed above are for camlocks with standard options. For information on specific and custom camlocks, consult Customer Service Center.

Materials

LOCK: Zinc alloy with stainless steel facing. (4 tumbler single bitted locks and 6 tumbler tubular lock).

KEYS: Two nickel plated brass keys with code number. (4 tumbler).

Two die cast chrome plated zinc alloy keys, std. (6 tumbler).

CAM: Steel, nickel or bright zinc plated.

MOUNTING NUT: Zinc alloy or steel, nickel or bright zinc plated.

MOUNTING CLIP: Steel, nickel or bright zinc plated.

Build-A-Switch

To order, simply select desired option from each category and place in the appropriate box. Available options are shown and described on pages M-50 and M-51. For additional options not shown in catalog, consult Customer Service Center.

Switch Function
YL001U SP, 90° Index, keypull pos. 1 & 2

Keying
2 Two nickel plated brass keys (4 tumbler) or two chrome plated keys (6 tumbler)

Lock Type
A 4 Tumbler single bitted lock
V 6 Tumbler tubular lock

Lock Finish
2 Stainless steel facing

Cam
A1 1" long

Mounting/Lock Style
N With nut

C&K YL Series 4 & 6 Tumbler Camlocks

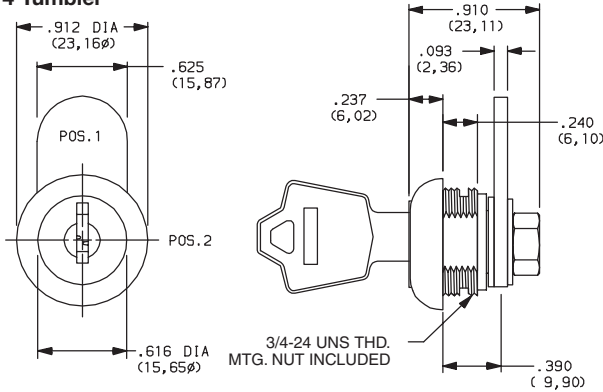
LOCK FUNCTION

MODEL NO.	KEY PULL POSITIONS	LOCK CONFIGURATION	INDEXING
YL001U	Positions 1 & 2		90°

LEGEND

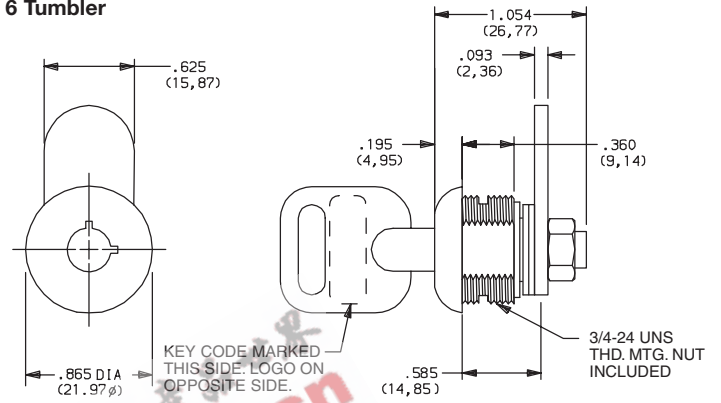
- = Detent Position (90°)
- ⊙ = Key pull possible in these positions.
- ⦿ = Stop Positions

4 Tumbler



Part number shown: YL00132A2A1N

6 Tumbler



Part number shown: YL00132V2A1N

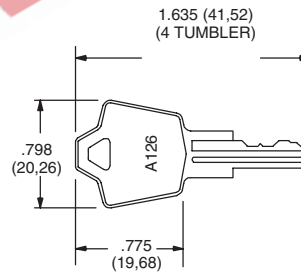
KEYING

OPTION CODE	KEY OPTIONS	CODE NO. ON KEY	CODE NO. ON LOCK
2	2 NICKEL PLATED BRASS KEYS (4 TUMBLER) OR TWO DIE-CAST CHROME PLATED ZINC ALLOY KEYS (6 TUMBLER).	YES	NO

NOTE: All orders keyed alike, standard. For more than one key code, master keying replacement keys, or other special features, consult Customer Service Center.

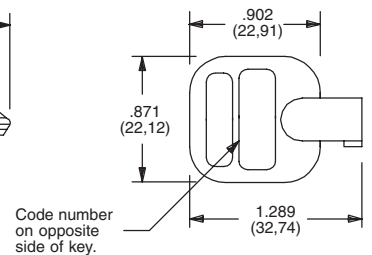
Key head shape subject to change.

NICKEL PLATED BRASS KEY



Key part number: 115140126

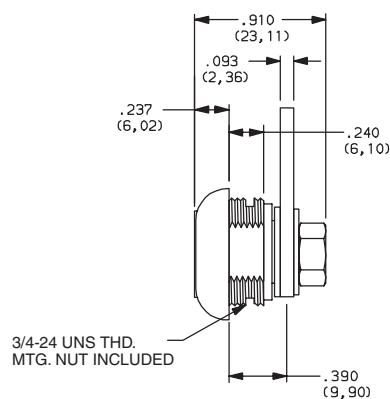
CHROME PLATED ZINC ALLOY KEY



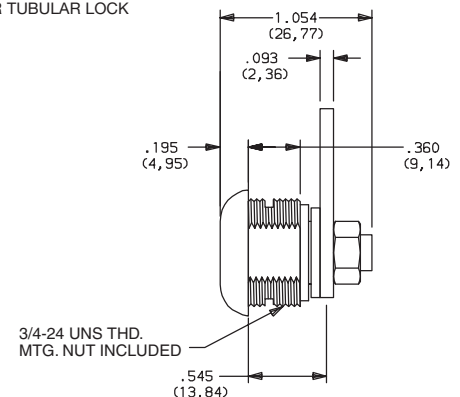
Key part number: 363C1AAAA

LOCK TYPE

A 4 TUMBLER SINGLE BITTED LOCK



V 6 TUMBLER TUBULAR LOCK



Third Angle Projection
Dimensions are shown: Inch (mm)
Specifications and dimensions subject to change



M

Switchlock



C&K YL Series 4 & 6 Tumbler Camlocks

LOCK FINISH

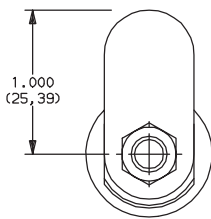
2 STAINLESS STEEL FACING



Available with
V lock type only.

CAM

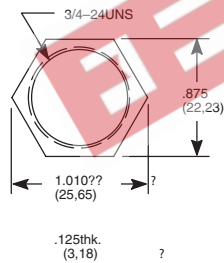
A1 1"



NOTE: Other cam lengths and styles available, consult Customer Service Center.

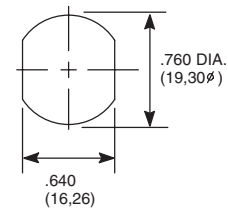
MOUNTING/LOCK STYLE

N WITH NUT



Nut part number: 175050700

PANEL MOUNTING



OPTION CODE	MOUNTING STYLE	PANEL THICKNESS
N	WITH NUT	.195 (4,95) max.

AVAILABLE HARDWARE



Key Code: A126
4 TUMBLER
PART NO. (ONE KEY)
115140126
Material: Brass
Finish: Nickel plate



Key Code: AAAA
PART NO. (ONE KEY)
363C1AAAA
Material: Zinc alloy
Finish: Chrome plate



Dimensions are shown: Inch (mm)
Specifications and dimensions subject to change