

—This Page Intentionally Left Blank—

EEPW 电子产品世界
.com.cn

NOTES FOR USE

(1) Program memory

The program area depends on the capacity of EPROM. See Figure 1.

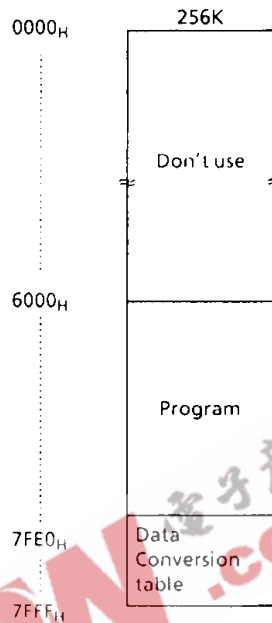


Figure 1. Program area

(2) I/O ports

Input/Output circuitries of I/O ports in the 47C058 are similar to the code WB of the 47C858.

When this chip is used as evaluator with other I/O code (WE and WH), it is necessary to provide the external resistors (See Figure 2).

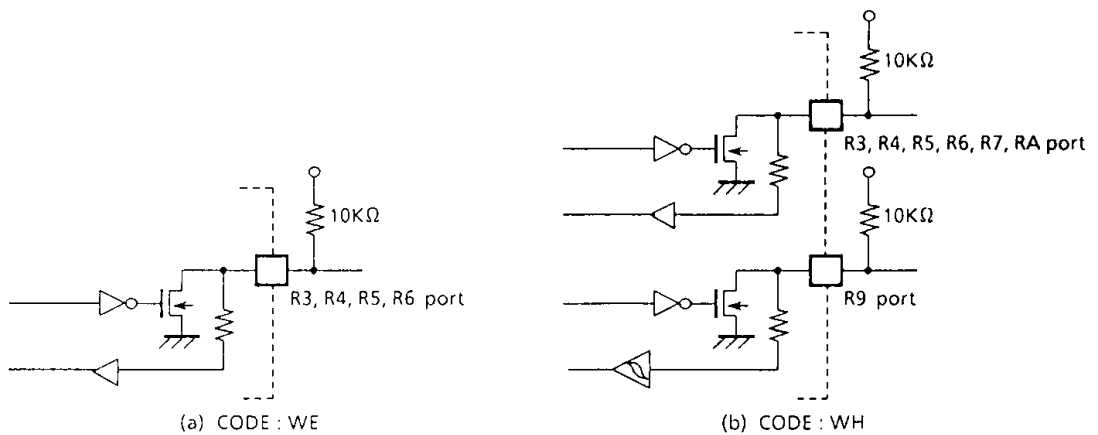


Figure 2. I/O code and external circuitry