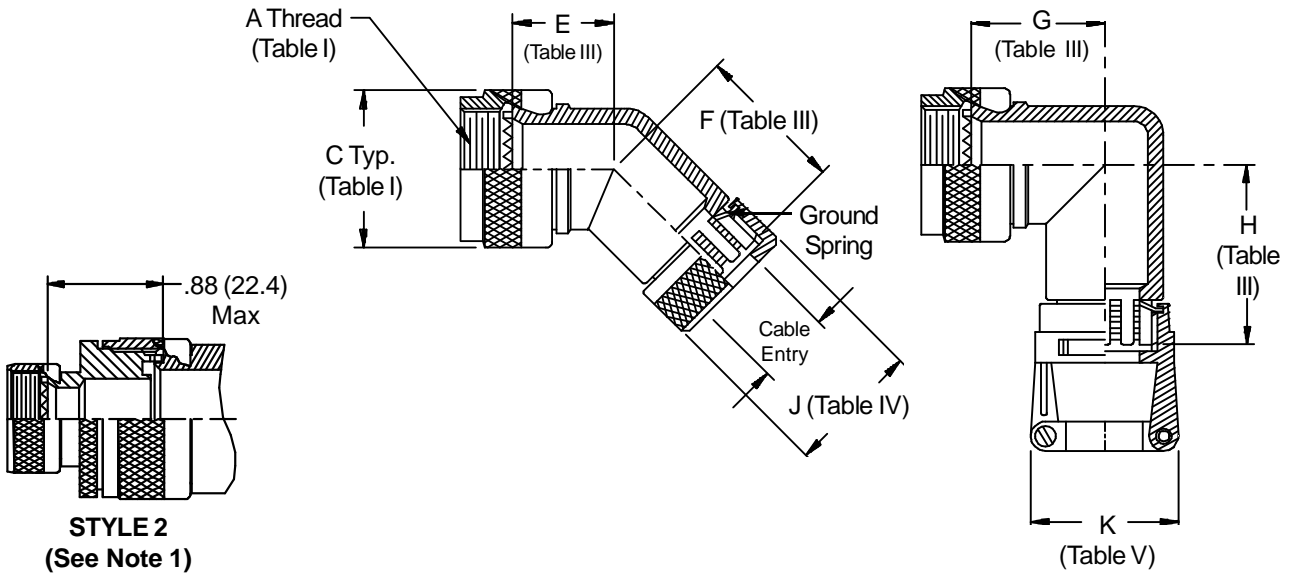
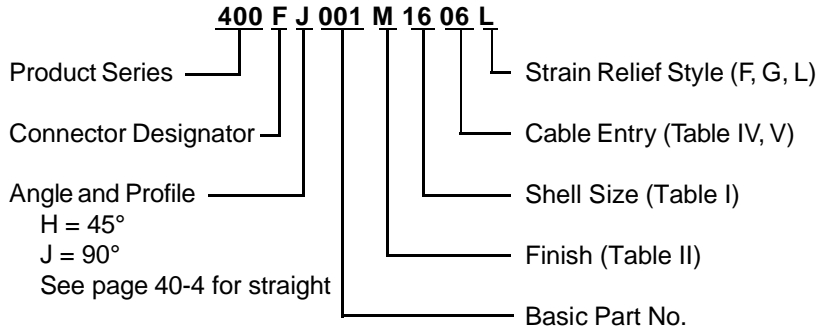
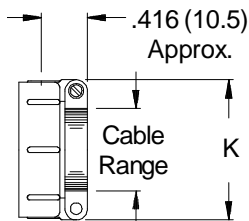


**CONNECTOR
 DESIGNATORS
 A-F-H-L-S
 ROTATABLE
 COUPLING**

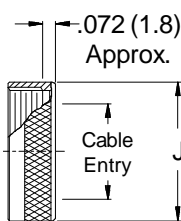


STYLE 2
 (See Note 1)

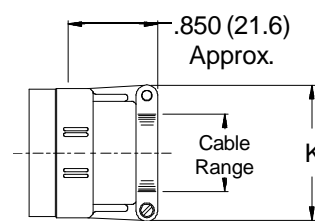
STYLE F
 Light Duty
 (Table V)



STYLE G
 Light Duty
 (Table IV)



STYLE L
 Light Duty
 (Table V)



400-001
TAG® Ring Backshell
 with Strain Relief
 Rotatable Coupling - Standard Profile



See inside back cover
 fold-out or pages 13 and
 14 for Tables I and II.

TABLE III: ELBOW DIMENSIONS									
Shell Size		E		F		G		H	
Conn. Desig.	H	Max		Max		Max		Max	
A-F-L-S									
08	09	.639	(16.2)	1.510	(38.4)	.750	(19.1)	1.620	(41.1)
10	11	.664	(16.9)	1.540	(39.1)	.810	(20.6)	1.680	(42.7)
12	13	.688	(17.5)	1.560	(39.6)	.870	(22.1)	1.740	(44.2)
14	15	.705	(17.9)	1.590	(40.4)	.920	(23.4)	1.810	(46.0)
16	17	.732	(18.6)	1.610	(40.9)	.980	(24.9)	1.870	(47.5)
18	19	.748	(19.0)	1.620	(41.1)	1.020	(25.9)	1.890	(48.0)
20	21	.773	(19.6)	1.640	(41.7)	1.080	(27.4)	1.950	(49.5)
22	23	.800	(20.3)	1.680	(42.7)	1.140	(29.0)	2.030	(51.6)
24	25	.823	(20.9)	1.710	(43.4)	1.200	(30.5)	2.100	(53.3)

TABLE IV: CABLE ENTRY			
Dash No.	J	Cable Entry	
	Max	Max	
02	.545 (13.8)	.250	(6.4)
03	.670 (17.0)	.375	(9.5)
04	.795 (20.2)	.500	(12.7)
05	.920 (23.4)	.625	(15.9)
06	1.045 (26.5)	.750	(19.1)
07	1.170 (29.7)	.875	(22.2)
08	1.295 (32.9)	1.000	(25.4)
09	1.420 (36.1)	1.125	(28.6)
10	1.670 (42.4)	1.250	(31.8)

TABLE V: CABLE ENTRY				
Dash No.	K	Cable Range		
	Max	Min	Max	
02	.968 (24.6)	.125 (3.2)	.250	(6.4)
03	1.046 (26.6)	.250 (6.4)	.375	(9.5)
04	1.156 (29.4)	.250 (6.4)	.500	(12.7)
05	1.218 (30.9)	.375 (9.5)	.625	(15.9)
06	1.343 (34.1)	.500 (12.7)	.750	(19.1)
07	1.468 (37.3)	.625 (15.9)	.875	(22.2)
08	1.593 (40.5)	.625 (15.9)	1.000	(25.4)
09	1.718 (43.6)	.750 (19.1)	1.125	(28.6)
10	1.843 (46.8)	.875 (22.2)	1.250	(31.8)

1. When maximum cable entry (page 21) is exceeded, Style 2 will be supplied. Dimensions E, F, G and H will not apply. Please consult factory.
2. Metric dimensions (mm) are indicated in parentheses.
3. Cable range is defined as the accommodations range for the wire bundle or cable. Dimensions shown are not intended for inspection criteria.
4. -445 modification not available for MIL-DTL-38999 Series II.

Add "-445" to Specify Glenair's Non-Detent, ("NESTOR") Spring-Loaded, Self-Locking Coupling. See Page 41 for Details.