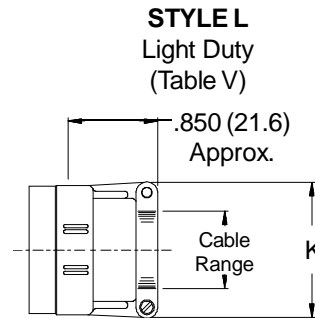
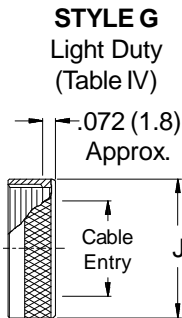
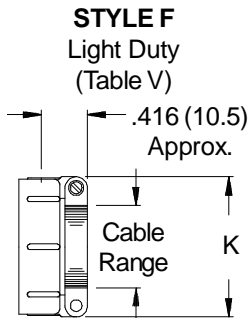
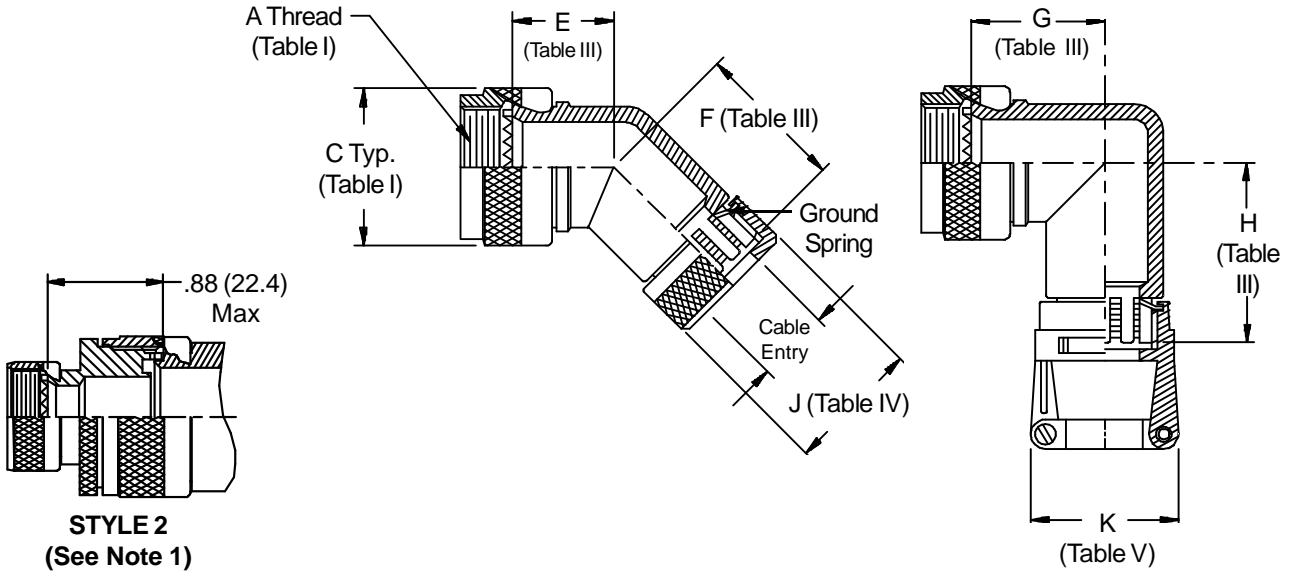
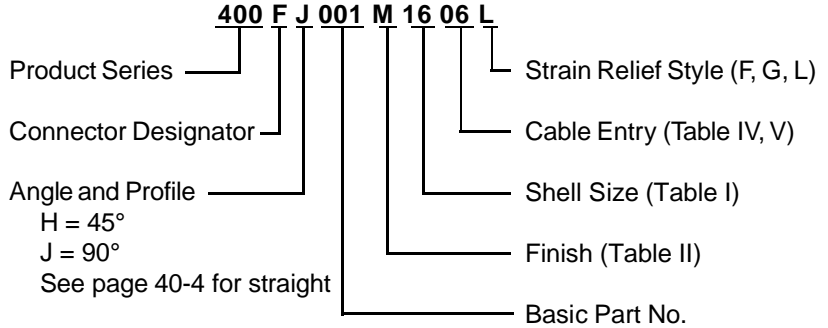


CONNECTOR DESIGNATORS
A-F-H-L-S
ROTATABLE COUPLING



400-001
TAG® Ring Backshell
with Strain Relief
Rotatable Coupling - Standard Profile



See inside back cover
fold-out or pages 13 and
14 for Tables I and II.

Shell Size		E		F		G		H	
Conn. Desig.	H	Max		Max		Max		Max	
A-F-L-S									
08	09	.639	(16.2)	1.510	(38.4)	.750	(19.1)	1.620	(41.1)
10	11	.664	(16.9)	1.540	(39.1)	.810	(20.6)	1.680	(42.7)
12	13	.688	(17.5)	1.560	(39.6)	.870	(22.1)	1.740	(44.2)
14	15	.705	(17.9)	1.590	(40.4)	.920	(23.4)	1.810	(46.0)
16	17	.732	(18.6)	1.610	(40.9)	.980	(24.9)	1.870	(47.5)
18	19	.748	(19.0)	1.620	(41.1)	1.020	(25.9)	1.890	(48.0)
20	21	.773	(19.6)	1.640	(41.7)	1.080	(27.4)	1.950	(49.5)
22	23	.800	(20.3)	1.680	(42.7)	1.140	(29.0)	2.030	(51.6)
24	25	.823	(20.9)	1.710	(43.4)	1.200	(30.5)	2.100	(53.3)

Dash No.	J Max	Cable Entry Max
02	.545 (13.8)	.250 (6.4)
03	.670 (17.0)	.375 (9.5)
04	.795 (20.2)	.500 (12.7)
05	.920 (23.4)	.625 (15.9)
06	1.045 (26.5)	.750 (19.1)
07	1.170 (29.7)	.875 (22.2)
08	1.295 (32.9)	1.000 (25.4)
09	1.420 (36.1)	1.125 (28.6)
10	1.670 (42.4)	1.250 (31.8)

Dash No.	K Max	Cable Range	
		Min	Max
02	.968 (24.6)	.125 (3.2)	.250 (6.4)
03	1.046 (26.6)	.250 (6.4)	.375 (9.5)
04	1.156 (29.4)	.250 (6.4)	.500 (12.7)
05	1.218 (30.9)	.375 (9.5)	.625 (15.9)
06	1.343 (34.1)	.500 (12.7)	.750 (19.1)
07	1.468 (37.3)	.625 (15.9)	.875 (22.2)
08	1.593 (40.5)	.625 (15.9)	1.000 (25.4)
09	1.718 (43.6)	.750 (19.1)	1.125 (28.6)
10	1.843 (46.8)	.875 (22.2)	1.250 (31.8)

1. When maximum cable entry (page 21) is exceeded, Style 2 will be supplied. Dimensions E, F, G and H will not apply. Please consult factory.
2. Metric dimensions (mm) are indicated in parentheses.
3. Cable range is defined as the accommodations range for the wire bundle or cable. Dimensions shown are not intended for inspection criteria.
4. -445 modification not available for MIL-DTL-38999 Series II.

-445

Add "-445" to Specify Glenair's Non-Detent, ("NESTOR") Spring-Loaded, Self-Locking Coupling. See Page 41 for Details.